

## **Alfa Romeo GTV/Spider (916)**

# table of contents

<b>GTV/Spider (916)</b> .....	6
<b>BODY</b> .....	6
MIRROR .....	6
LIGHTNING .....	7
BODYPARTS .....	8
BUMPER/GRILLE/PANEL .....	9
HOOD.....	10
HOOD HYDRAULIC .....	11
WIND DEFLECTOR .....	12
MISC: PARTS .....	13
<b>ENGINE</b> .....	14
AIR SYSTEM.....	14
<b>V-BELTS</b> .....	15
1.8/2.0 TS .....	15
2.0 JTS.....	16
2.0 V6 Turbo.....	17
3.0 V6 .....	18
3.0/3.2 V6 24V .....	19
<b>ENGINE BLOCK</b> .....	20
<b>PISTON + LINERS</b> .....	20
1.8 TS 16V.....	20
3.0 V6 12V .....	21
<b>PIL PAN</b> .....	22
<b>FUEL SYSTEM</b> .....	23
1.8/2.0 TS .....	23
<b>FUEL PUMP</b> .....	23
2.0 JTS.....	24
<b>FUEL PUMP</b> .....	24
2.0 V6 Turbo.....	25
<b>FUEL PUMP</b> .....	25
3.0 V6 .....	26
<b>FUEL PUMP</b> .....	26
3.0/3.2 V6 24V .....	27
<b>FUEL PUMP</b> .....	27
<b>ENGINE GASKETS</b> .....	28
1.8/2.0 TS .....	28
<b>GASKETS ENGINE</b> .....	28
<b>HEAD SET</b> .....	29
<b>FULL SET</b> .....	30
<b>HEADSCREW SET</b> .....	31
2.0 JTS.....	32
<b>GASKETS ENGINE</b> .....	32
<b>HEAD SET</b> .....	33
2.0 V6 Turbo.....	34
<b>GASKETS ENGINE</b> .....	34
<b>HEAD SET</b> .....	35
<b>FULL SET</b> .....	36

3.0 V6 .....	37
GASKETS ENGINE .....	37
HEAD SET .....	38
FULL SET .....	39
3.0/3.2 V6 24V .....	40
GSKETS ENGINE .....	40
HEAD SET .....	41
FULL SET .....	42
HEADSCREW SET .....	43
COOLING SYSTEM .....	44
1.8/2.0 TS .....	44
RADIATOR .....	44
THERMOSTAT .....	45
WATERPUMP .....	46
HOSES .....	47
2.0 JTS .....	48
RADIATOR .....	48
THERMOSTAT .....	49
WATERPUMP .....	50
HOSES .....	51
2.0 V6 Turbo.....	52
RADIATOR .....	52
THERMOSTAT .....	53
WATERPUMP .....	54
3.0 V6 .....	55
RADIATOR .....	55
THERMOSTAT .....	56
WATERPUMP .....	57
3.0/3.2 V6 24V .....	58
RADIATOR .....	58
THERMOSTAT .....	59
WATERPUMP .....	60
HOSES .....	61
ENGINE MOUNT.....	62
1.8/2.0 TS .....	62
2.0 JTS .....	63
2.0 V6 Turbo.....	64
3.0 V6 .....	65
3.0/3.2 V6 24V .....	66
VALVE GEAR.....	67
1.8/2.0 TS .....	67
CAMSHAFT .....	67
VALVE MECHANISM .....	68
TIMINGBELT .....	69
2.0 JTS .....	70
CAMSHAFT .....	70
VALVE MECHANISM .....	71
TIMINGBELT .....	72
2.0 V6 Turbo.....	73
CAMSHAFT .....	73

VALVE MECHANISM .....	74
TIMINGBELT .....	75
3.0 V6 .....	76
CAMSHAFT .....	76
VALVE MECHANISM .....	77
TIMINGBELT .....	78
3.0/3.2 V6 24V .....	79
CAMSHAFT .....	79
VALVE MECHANISM .....	80
TIMINGBELT .....	81
FILTER .....	82
1.8/2.0 TS .....	82
2.0 JTS .....	83
2.0 V6 Turbo.....	84
3.0 V6 .....	85
3.0/3.2 V6 24V .....	86
EXHAUST SYSTEM.....	87
EXHAUST SYSTEM.....	87
1.8/2.0 TS .....	87
2.0 JTS .....	88
2.0 V6 Turbo.....	89
3.0 V6 12V .....	90
3.0 V6 24V .....	91
3.2 V6 24V/GTA .....	92
LAMBDA PROBE .....	93
1.8/2.0 TS .....	93
2.0 JTS .....	94
2.0 V6 Turbo.....	95
3.0 V6 12V .....	96
3.0 V6 24V .....	97
3.2 V6 24V/GTA .....	98
DRIVETRAIN .....	99
DRIVE SHAFT .....	99
1.8/2.0 TS .....	99
2.0 JTS .....	100
2.0 V6 Turbo.....	101
3.0 V6 12V .....	102
3.0 V6 24V .....	103
3.2 V6 24V/GTA .....	104
CLUTCH .....	105
CLUTCH SET 1.8/2.0 TS .....	105
GUIDE BUSH f. SLEEVE BEARING 1.8/2.0 TS .....	106
CLUTCH SET 2.0 JTS .....	107
GUIDE BUSH f. SLEEVE BEARING 2.0 JTS .....	108
CLUTCH SET 2.0 V6 Turbo .....	109
GUIDE BUSH f. SLEEVE BEARING 2.0 V6 Turb .....	110
CLUTCH SET 3.0 V6 12V .....	111
GUIDE BUSH f. SLEEVE BEARING 3.0 V6 .....	112
CLUTCH SET 3.0 V6 24V .....	113
GUIDE BUSH f. SLEEVE BEARING 3.0 V6 .....	114

CLUTCH SET 3.2 V6 24V .....	115
GUIDE BUSH f. SLEEVE BEARING 3.2 V6 24V .....	116
CLUTCH ACTUATION.....	117
1.8/2.0 TS .....	117
2.0 JTS.....	118
2.0 V6 Turbo.....	119
3.0 V6 12V .....	120
3.0 V6 24V .....	121
3.2 V6 24V/GTA .....	122
BRAKE.....	123
BRAKE DISKS .....	123
BRAKE PADS .....	124
CALIPER FRONT >1998 .....	125
CALIPER FRONT 1998> .....	126
CALIPER REAR.....	127
BRAKE SERVO/BRAKE MASTER CYL.....	128
BRAKE VALVE.....	129
BRAKE HOSES .....	130
BRAKE CABLE.....	131
SUSPENSION .....	132
STRUT FRONT .....	132
STRUT REAR.....	133
ATTACHMENT FRONT.....	134
ATTACHMENT REAR .....	135
WHEEL BEARING 4-Cyl. ....	136
WHEEL BEARING 6-Cyl. ....	137
STEERING .....	138
STEERING PARTS .....	138
ELECTRIC .....	139
WINDOW POWER LIFTER .....	139
INSTRUMENTS .....	140
SWITCHES .....	141
FUSE .....	142
ENGINE ELECTRIC .....	143
SENSOR.....	143
IGNITION SYSTEM 1.8/2.0 TS.....	144
IGNITION SYSTEM 2.0 JTS .....	145
IGNITION SYSTEM 2.0 V6 Turbo.....	146
IGNITION SYSTEM 3.0 V6 12V.....	147
IGNITION SYSTEM 3.0/3.2 V6 24V.....	148
AGGREGATS 1.8/2.0 TS .....	149
AGGREGATS 2.0 JTS.....	150
AGGREGATS 2.0 V6 Turbo .....	151
AGGREGATS 3.0 V6 12V .....	152
AGGREGATS 3.0/3.2 V6 24V .....	153
INTERIOR PARTS .....	154
CAR MAT .....	154

## Außenspiegel/Mirror gtv/spider (916)



1. ASP 25724  
links/left

2. ASP 25727  
rechts/right

3. ASP 79160  
links/left

4. ASP 78791  
rechts/right

1	ASP25724	Außenspiegel links gtv/spider (916)	***
---	----------	-------------------------------------	-----

2	ASP25727	OE. 156025727 OUTSIDE MIRROR RIGHT GTV/Spider (916)	***
---	----------	---	-----

3	ASP79160	OE. 60779160 GLASS f. MIRROR LH (916)	***
---	----------	---------------------------------------	-----

4	ASP78791	OE. 60778791 GLASS f. MIRROR RH (916)	***
---	----------	---------------------------------------	-----

## Beleuchtung/Lighting spider/gtv (916)

1. SW 76350  
links/left

2. SW 76350  
rechts/right



3. BL 95863  
links/left

4. BL 95864  
rechts/right



5. ZBL 03162  
links/left

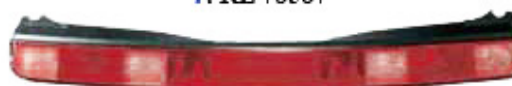
6. ZBL 03161  
rechts/right



8. KL 74850

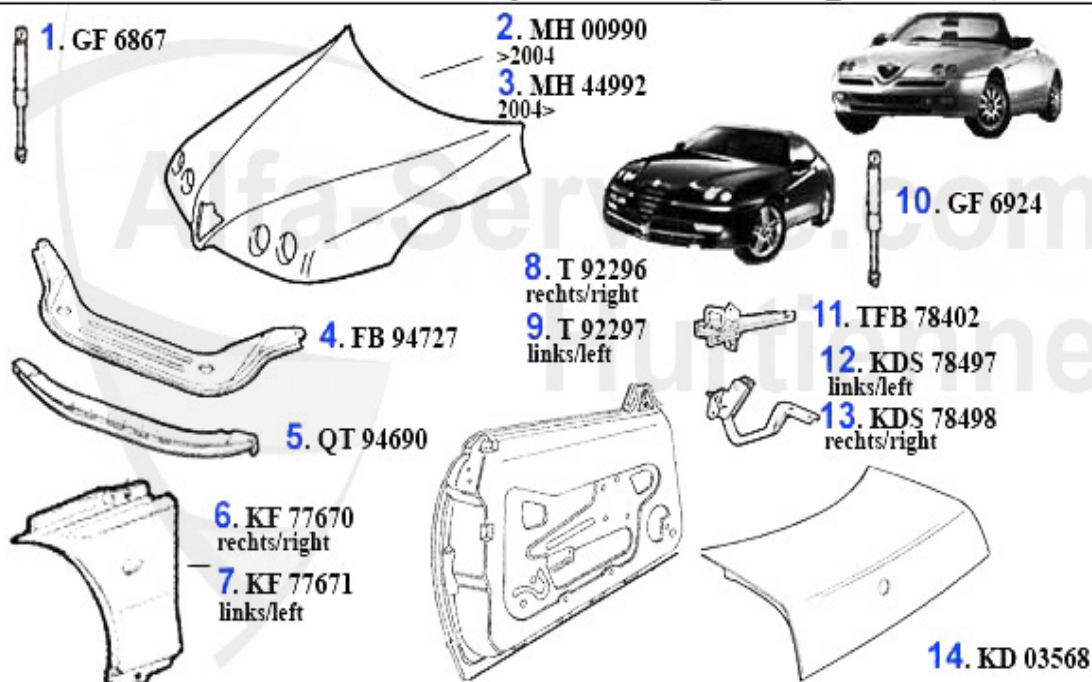


7. RL 78587



1	SW76350	OE. 60576350 HEADLIGHT L gtv/spider (916)	***
2	SW76351	OE. 60576351 HEADLIGHT R gtv/spider (916)	***
3	BL95863	OE. 60595863 FLASHER/FOGLIGHT L gtv/spider (916) >2003	***
4	BL95864	OE. 60595864 FLASHER/FOGLIGHT R gtv/spider (916) >2003	***
5	ZBL03162	ADDITIONAL TURN SIGNAL LAMP LEFT 145/6, 155,GTV/SPIDER (916)	27.86 EUR
6	ZBL03161	ADDITIONAL TURN SIGNAL LAMP RIGHT 145/6, 155,GTV/SPIDER (916)	27.86 EUR
7	RL78587	OE. 60578587 REAR LIGHT COMPL. gtv/spider (916)	***
8	KL74850	OE. 60574850 NUMBERPLATELIGHT gtv/spider (916)	***

# Karosserieteile/Body Parts gtv/spider (916)



1	GF6867	BONNET GAS SPRING GTV/SPIDER 916 LENGTH 69 CM	37.47 EUR
2	MH00990	OE. 60600990 HOOD BONNET gtv/spider (916) >2004	1133.68 EUR
3	MH44992	OE. 156044992 HOOD BONNET gtv/spider (916) 2004>	***
4	FB94727	OE. 60594727 CROSSRAIL	88.00 EUR
5	QT94690	OE. 60594690 CROSSRAIL	***
6	KF77670	OE. 60577670 FRONT FENDER R gtv/spider (916)	151.62 EUR
7	KF77671	OE. 60577671 FRONT FENDER L gtv/spider (916)	151.62 EUR
8	T92296	OE. 60692296 DOOR COMPL. R gtv/spider (916) (with metal covering)	***
9	T92297	OE. 60692297 DOOR COMPL. L gtv/spider (916) (with metal covering)	1044.45 EUR
10	GF6924	OE.60594694, GAS SPRING BOOT LID SPIDER/GTV (916) 170 NEWTON,ATTENTION: PLEASE MEASURE LENGTH,LENGTH 393mm, STROKE 150mm	25.50 EUR
10	GF6382	GAS SPRING LEFT BOOT LID SPIDER/GTV (916) ATTENTION PLEASE MEASURE LENGTH (STARTING FROM 10/95) LENGTH 522mm/ STROKE 207mm, 400 NEWTON	23.09 EUR
11	TFB78402	Türfangband gtv/spider (916)	***
12	KDS78497	Scharnier links Kofferraumdeckel spi der (916)	49.49 EUR
13	KDS78498	Scharnier rechts f. Kofferraumdeckel spider (916)	49.49 EUR
14	KD03568	OE. 60603568 TRUNK LID spider (916)	390.86 EUR



## Stoßstangen/Bumpers gtv/spider (916)



**1. STF 91099**  
4-Cyl., >2004

**2. STF 25099**  
6-Cyl., >2004

**3. STF 45186**  
4/6-Cyl., 2004>

**4. KG 77411**  
schwarz/black  
>1998

**5. KG 58555**  
mit Chromrahmen/  
w. chrome frame  
1998-2004

**6. KG 84741**  
Motorhaube/  
Bonnet  
2004>

**7. KG 84740**  
Stoßstange/  
Bumper  
2004>

**8. 23 033 30**  
>2004

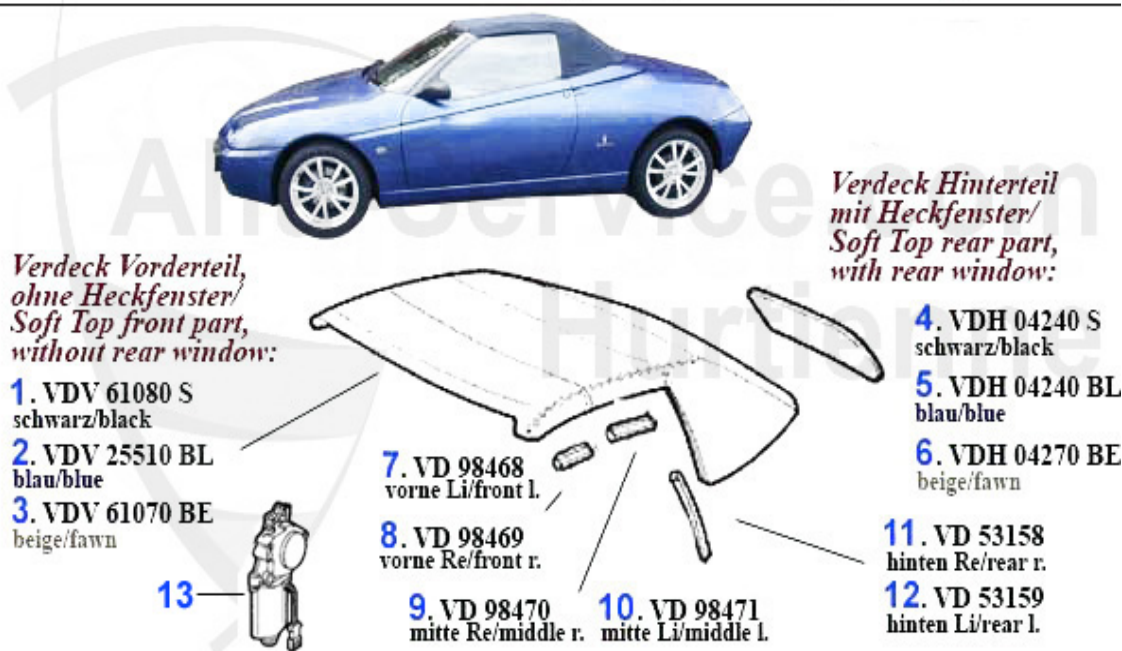
**9. MZ 58973**  
2004>

**10. STF 20099**  
>2004

**11. STF 34417**  
2004>

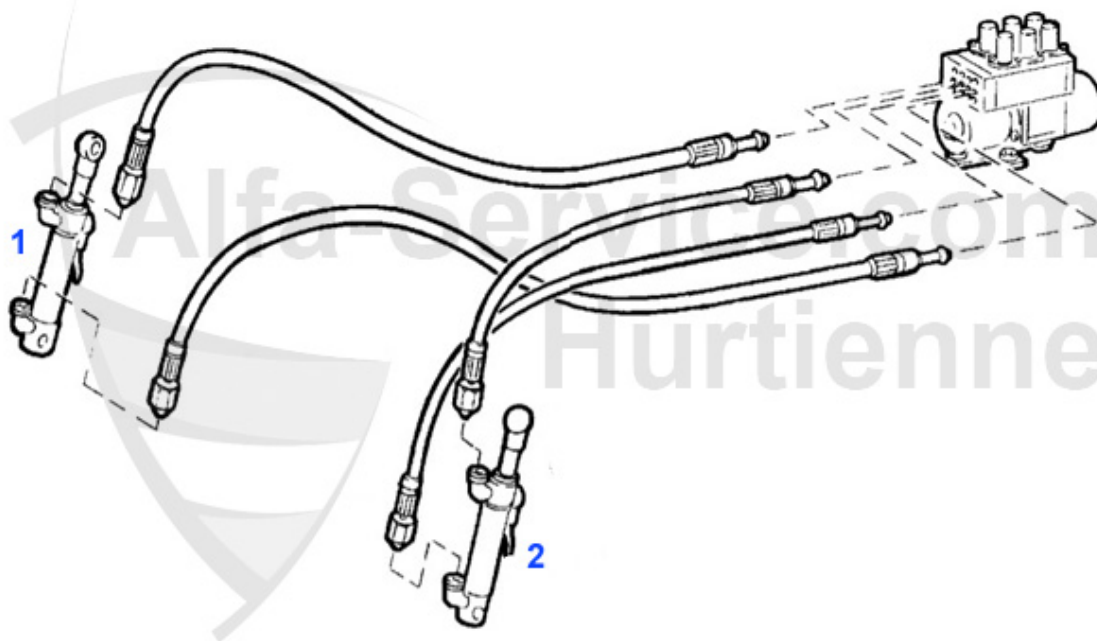
<b>1</b>	STF91099	OE. 153791099 FRONT BUMPER COMPL. gtv/spider (916) >2003 MEDIO/LUSSO 4-CYL.	***
<b>2</b>	STF25099	OE. 153925099 FRONT BUMPER COMPL. gtv/spider (916) >2003 MEDIO/LUSSO 6-CYL.	***
<b>3</b>	STF45186	OE. 156054186 FRONT BUMPER gtv/spider (916) 2004> FACELIFT	***
<b>4</b>	KG77411	OE. 60577411 GRILLE gtv/spider (916) >1998	<b>69.00 EUR</b>
<b>5</b>	KG58555	OE. 60658555 GRILLE gtv/spider (916) >2003	***
<b>6</b>	KG84741	OE. 60684741 GRILLE gtv/spider (916) 2003>	***
<b>7</b>	KG84740	Kühlergrill unten gtv/spider (916) Bj. 04> (Facelift)	***
<b>8</b>	23 033 3 0	ALFA ROMEO-EMBLEM - 75 mm metal OE. 60596492	<b>24.00 EUR</b>
<b>9</b>	MZ58973	FRONT BADGE ALFA 147, GTV/Spider (916) 04> (FACELIFT), ALFA MITO	<b>54.00 EUR</b>
<b>10</b>	STF20099	OE. 150020099 REAR BUMPER gtv/spider (916) >2003	<b>836.05 EUR</b>
<b>11</b>	STF34417	OE. 156034417 RAER BUMPER gtv/spider (916) 2003>	***

## Verdeck/Soft Top Spider (916)



<b>1</b>	VDV61085S SOFT TOP BLACK SPIDER 916 1998-2005 FRONT PART WITHOUT WINDOW	<b>399.00 EUR</b>
<b>1</b>	VDV61080S OE. 113344380 SOFT TOP black SPIDER 1995-98 (916) front part/without window	<b>415.00 EUR</b>
<b>2</b>	VDV25510B L Verdeck Stoff blau Spider (916) Bj. 95> Vorderteil ohne Heckfenster verbesserte Ausführung ab 98 Serie Neuer Preis!!	<b>590.00 EUR</b>
<b>3</b>	VDV61070B E Verdeck Stoff beige Spider (916) Bj. 95> Vorderteil ohne Heckfenster verbesserte Ausführung ab 98 Serie Neuer Preis!!	<b>590.00 EUR</b>
<b>4</b>	VDH04240S OE. 113304280 SOFT TOP black - spider (916) back part/window rear (71747965)	<b>419.00 EUR</b>
<b>5</b>	VDH04240B L Verdeck hinten blau Spider (916) Bj. 95> Heckfenster zu Verdeck # VDV25510BL Neuer Preis!!	***
<b>6</b>	VDH04270B E Verdeck hinten beige Spider (916) Bj. 95> Heckfenster zu Verdeck # VDV61070BE Neuer Preis!!	***
<b>7</b>	VD98468 Verdeckdichtung/Seitenscheibe re spider (916) vorne	***
<b>8</b>	VD98469 Verdeckdichtung/Seitenscheibe li spider (916) vorne	***
<b>9</b>	VD98470 Verdeckdichtung/Seitenscheibe re spider (916) mitte	***
<b>10</b>	VD98471 Verdeckdichtung/Seitenscheibe li spider (916) mitte	***
<b>11</b>	VD53158 Verdeckdichtung/Seitenscheibe re spider (916) hinten	***
<b>12</b>	VD53159 Verdeckdichtung/Seitenscheibe li spider (916) hinten	***
<b>13</b>	VM30546 OE. 60630546 ELECTRIC MOTOR f. CONVERT. SOFT TOP SPIDER 916	***

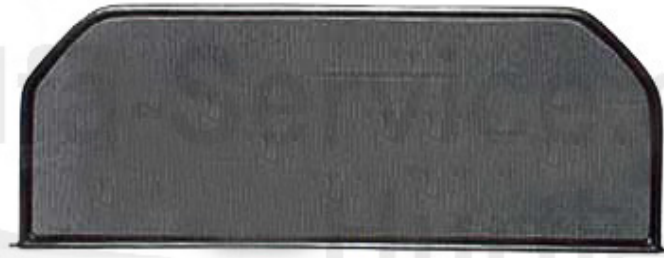
## GTV/Spider (916) > BODY > HOOD HYDRAULIC



- |   |        |   |     |
|---|--------|---|-----|
| 1 | VM9162 | HYDRAULIC CYLINDER RIGHT SPIDER 916 (95-06) HOOD CASE | *** |
| 2 | VM9161 | HYDRAULIC CYLINDER LEFT SPIDER 916 (95-06) HOOD CASE  | *** |

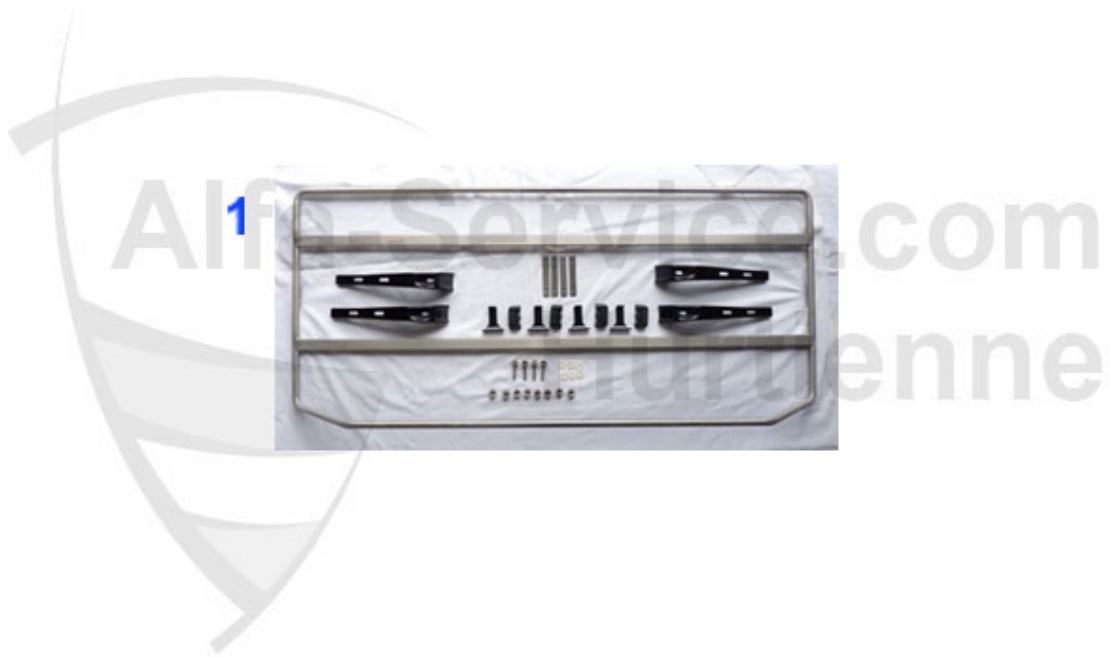
# Windschott/ Wind Deflector Spider (916)

1. WS 916



1 WS916 WIND DEFLECTOR SPIDER 916 1995-2006

\*\*\*



1 26 327 0 0 REAR LUGGAGE CARRIER SPIDER 916

267.75 EUR

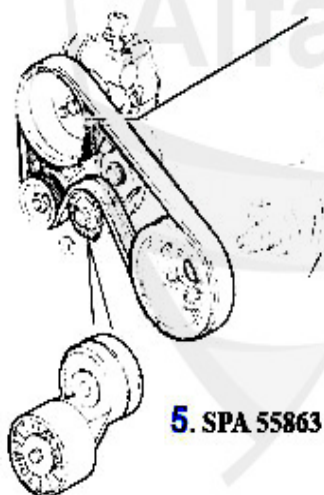
## GTV/Spider (916) > ENGINE > AIR SYSTEM



1	LR13829	OE. 71713829 ELECTRO-VALVE	***
2	LMS83896	Air flow hose GTV/Spider (916) 3,0 V6 12V between air flow meter and throttle	60.00 EUR
2	LMS58050	OE. 60658050 AIR DUCTING gtv/spider (916) 1.8/2.0 TS CF2/3 16V	***
3	LMM16748	OE. 46416748 AIR FLOWMETER 164/Super, gtv/spider (916) 3.0 V6 12V	***
3	LMM59804	OE. 46541253/60814852/46559804/55193048 0280218019,AIR FLOW METER DIV MODELLS Aftermarket product 5-pole	59.00 EUR
4	LR37024	OE. 7637024 IDLE VALVE BOSCH 155,164, gtv/spider (916)	***
5	LR66481	OE. 7766481 ELECTRO-VALVE	295.00 EUR
6	LMS58049	UPPER AIRINTAKE HOSE GTV/Spider 98-06 1.8 / 2.0 TS	46.90 EUR
7	ASK73572	OE. 60573272 DUCTING R V6 12V	***
7	ASK73573	OE: 60573573 DUCTING L V6 12V	***
8	ASK68794	OE. 60668794 DUCTING	***
8	ASK68795	OE. 60668795 DUCTING	***

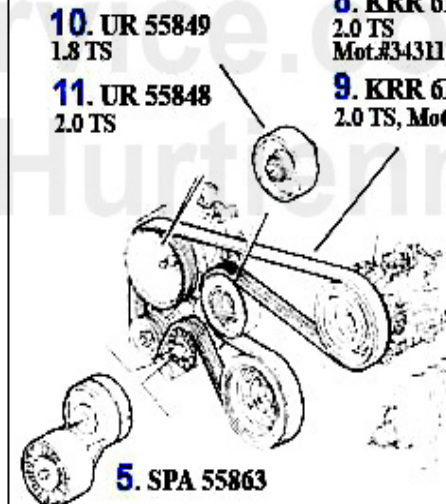
## Keilriemen/V-Belt gtv/spider (916) TS 16V

ohne/without  
Klimaanlage/AC:



- 1. KRR 6PK1045**  
1.8 TS
- 2. KRR 7PK1083**  
2.0 TS, >Mot.#1385143
- 3. KRR 6PK1082**  
2.0 TS  
Mot.#1385144-2835764
- 4. KRR 6PK1062**  
2.0 TS, Mot.#2835765>

mit/with  
Klimaanlage/AC:



- 6. KRR 6PK1855**  
1.8 TS
- 7. KRR 7PK1952**  
2.0 TS, >Mot.#343116
- 8. KRR 6PK1975**  
2.0 TS  
Mot.#343117-2835764
- 9. KRR 6PK1960**  
2.0 TS, Mot.#2835765>

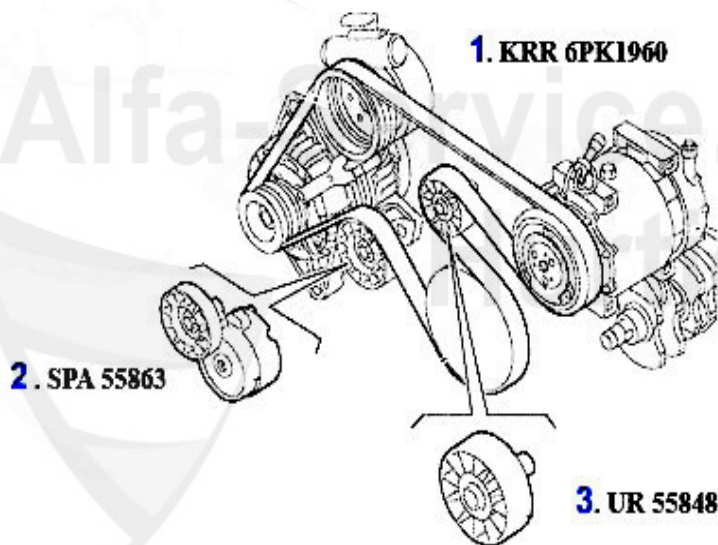
- 10. UR 55849**  
1.8 TS
- 11. UR 55848**  
2.0 TS

**5. SPA 55863**

**5. SPA 55863**

<b>1</b>	<b>KRR6PK104</b> 5	Keilrippenriemen 6PK1045 145/6 Bj. 97>,155,156,gtv&spider(916) 1.4/1.6 /1.8 TS 16V ohne Klima Generator/S ervopumpe	<b>20.00 EUR</b>
<b>2</b>	<b>KRR7PK108</b> 3	Keilrippenriemen 7PK1083 145/6,155 156,166,gtv/spider (916) bis Motor # 1385143, Servopumpe	<b>28.00 EUR</b>
<b>3</b>	<b>KRR6PK108</b> 2	Keilrippemriemen 6PK1082 145/6 2.0 TS 16V,147 2.0 TS/JTS,156/166 2.0 T S,gtv/spider (916) Bj. 98> 2.0 TS o hne Klima, Generator/Servopumpe	<b>25.00 EUR</b>
<b>4</b>	<b>KRR6PK106</b> 2	Keilrippenriemen 6PK1062 147,156 2. 0 16V TS CF 3 ohne Klima Generator/ Servopumpe	<b>22.50 EUR</b>
<b>5</b>	<b>SPA55863</b>	DRIVE BELT TENSIONER 145/6/7,155/6,166,916 2.0	<b>44.49 EUR</b>
<b>6</b>	<b>KRR6PK185</b> 5	V-RIBBED BELT 6PK1855,OE.60814395,145/6 1.4/1.8 TS 16V YEAR 97>,1.6 TS,1.6/1.8 16V,GTV/SPIDER 1.8 16V TS YEAR 98> GENERATOR,SERVOPUMP,AIR-CON-COMPRESSOR	<b>28.50 EUR</b>
<b>7</b>	<b>KRR7PK195</b> 2	Keilrippenriemen 7PK1952 145/6,155, gtv/spider (916) 2.0 TS 16V ab Moto r # 343116, Generator/Servopumpe/KI imakompressor	<b>52.50 EUR</b>
<b>8</b>	<b>KRR6PK197</b> 5	OE.60815414/60630741 RIBBED V- BELT,156/166/GTV/SPIDER(916)CF3 2.0L TS 16V UNTIL ENGINE #1385143 GENERATOR/SERVOPUMP/AIRCON COMPRESSOR 6PK1975 145/6/147	<b>35.50 EUR</b>
<b>9</b>	<b>KRR6PK196</b> 0	RIBBED BELT 6PK1960	<b>40.00 EUR</b>
<b>10</b>	<b>UR55849</b>	OE.60812515,REVERSE ROLLER FOR RIPPED V-BELT 145/6/7,155/6,GTV/SPIDER(916) 1.4/1.6/1.8 TS (WITH AIR CON)	<b>34.00 EUR</b>
<b>11</b>	<b>UR55848</b>	DRIVE BELT BEARING 156 2.0,145,166,916	<b>55.00 EUR</b>

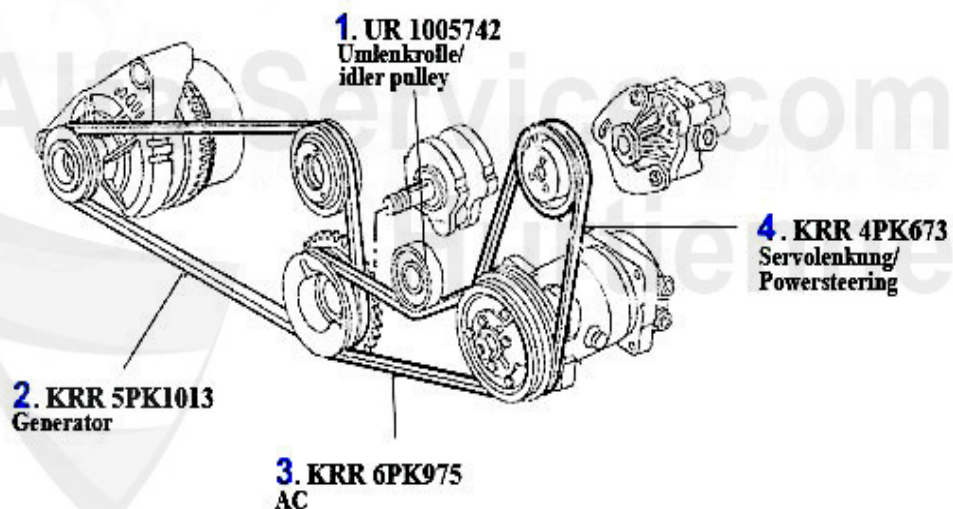
## Keilriemen/V-Belt gtv/spider (916) 2.0 JTS



1	KRR6PK196 0	RIBBED BELT 6PK1960	40.00 EUR
2	SPA55863	DRIVE BELT TENSIONER 145/6/7,155/6,166,916 2.0	44.49 EUR
3	UR55848	DRIVE BELT BEARING 156 2.0,145,166,916	55.00 EUR



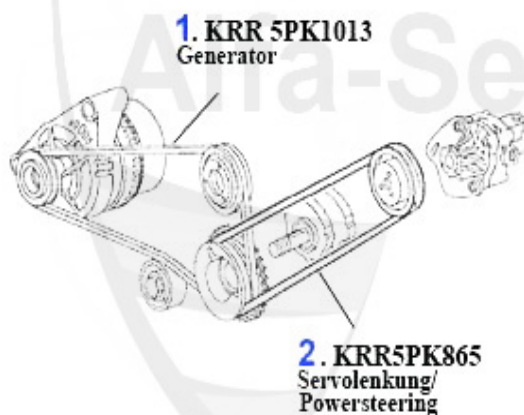
## Keilriemen/V-Belt gtv/spider (916) 2.0 V6 Turbo



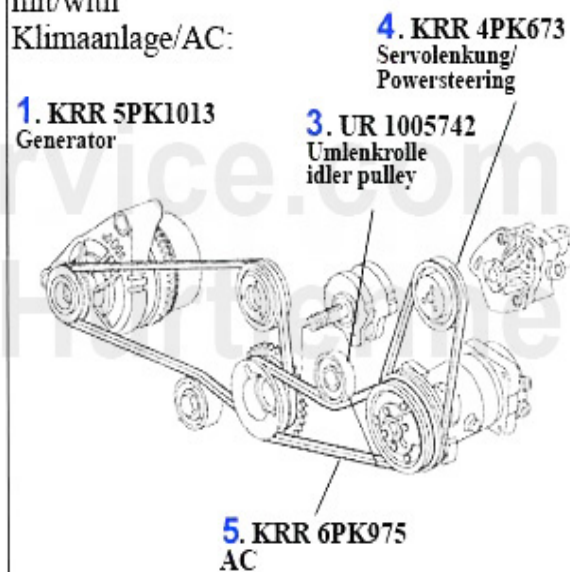
1	UR1005742 OE 60570850	175.00 EUR
2	KRR5PK1013 OE 60596949 RIBBED DRIVE BELT	19.90 EUR
3	KRR6PK975OE 60625590 RIBBED TIME BELT	26.50 EUR

## Keilriemen/V-Belt gtv/spider (916) 3.0 V6 12V

ohne/without  
Klimaanlage/AC:

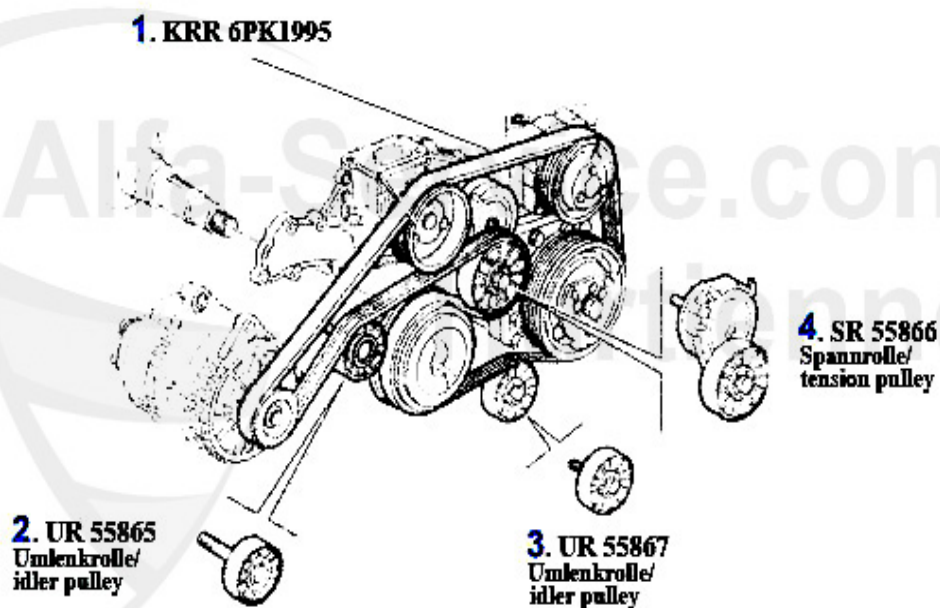


mit/with  
Klimaanlage/AC:



1	KRR5PK101 3	OE 60596949 RIBBED DRIVE BELT	19.90 EUR
2	KRR5PK865	Keilrippenriemen 5PK865 spider (916 ) 3.0 V6 Servopumpe,145/6 1.4/1.6ie Bj. >96 Wasserpumpe/Generator	16.07 EUR
3	UR1005742	OE 60570850	175.00 EUR
5	KRR6PK975	OE 60625590 RIBBED TIME BELT	26.50 EUR

## Keilriemen/V-Belt gtv/spider (916) 3.0/3.2 V6 24V



1	KRR6PK199 5	V-BELT 6PK1995, OE.60626658, 147/156/ 166/GTV SPIDER (916) NUOVO GT ALL V6 24 V, GTA GENERATOR/SERVOPUMP/AIR CON COMPRESSOR	29.00 EUR
2	UR55865	IDLER PULLEY FOR DRIVE BELT 156,166,GTV/ SPIDER (916) V6	42.70 EUR
3	UR55867	IDLER PULLEY FOR DRIVE BELT 156,166, GTV/SPIDER (916) V6	48.00 EUR
4	SR55866	TENSIONER PULLEY FOR DRIVE BELT 156, 166 V6 24V/GTA	149.00 EUR



1 KB24126 OE. 71713064 PISTON 1.8 TS 16V AR32201

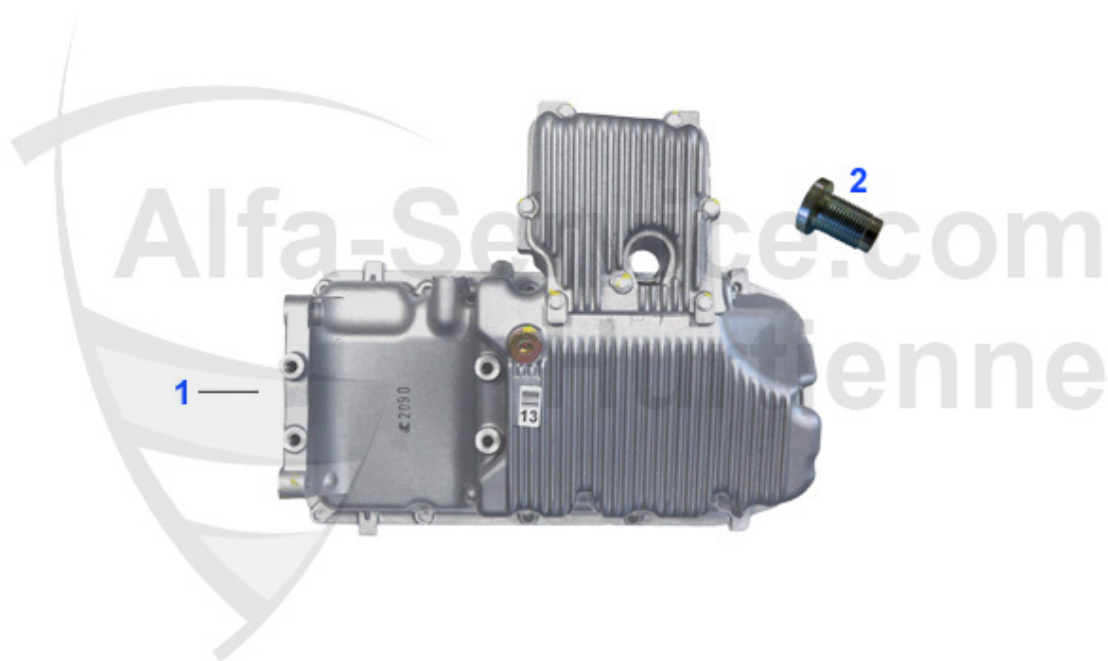
159.01 EUR



1 KB4044 OE. 71712811 PISTON AND LINER 75, 164, GTV/SPIDER (916) 3.0 V6 12V

\*\*\*

GTV/Spider (916) > ENGINE > ENGINE BLOCK > PIL PAN



1	OW90209	OE. 55190209 PIL PAN 145/6,147,155,156, gtv/spider (916),Nuovo GT	***
2	OWD357	OIL DRAIN SCREW Alfa 145,146,147,155, 156,GT,GTV+Sp.916,NUOVO SPIDER,BRERA O.E. 46476967 (M18x1,5 30mm height)	7.74 EUR

Kraftstoffpumpe/Fuel Pump gtv/spider (916) 1.8/2.0 TS



1. KP 6416  
>1998

2. KP 6563  
1998>

1	KP6416	OE. 7782620 FUEL PUMP 145/6, 155, gtv/spider (916) Boxer/TS 16V/ V6 Turbo > 1998	95.00 EUR
2	KP6563	OE. 60655432 FUEL PUMP gtv/spider (916) 1.8/2.0 TS 1998>/V6 24V CF2/3	285.01 EUR

Kraftstoffpumpe/Fuel Pump gtv/spider (916) 2.0 JTS

---

1. KP 4361



---

1 KP4361 OE. 60684361 FUEL PUMP gtv/spider (916) 2.0 JTS

236.98 EUR



Kraftstoffpumpe/Fuel Pump gtv/spider (916) 2.0 V6 Turbo

---



1	KP89833	OE. 60589833 FUEL PUMP 164 V6 24V	220.00 EUR
2	KP6504	OE. 60655431 FUEL PUMP gtv/spider 2.0 V6 Turbo 1998>	***

## Kraftstoffpumpe/Fuel Pump gtv/spider (916) 3.0 V6

---

1. KP 6416  
>1998



2. KP 6504  
1998>



1	KP6416	OE. 7782620 FUEL PUMP 145/6, 155, gtv/spider (916) Boxer/TS 16V/ V6 Turbo > 1998	95.00 EUR
2	KP6504	OE. 60655431 FUEL PUMP gtv/spider 2.0 V6 Turbo 1998>	***

**GTV/Spider (916) > ENGINE > FUEL SYSTEM > 3.0/3.2 V6 24V > FUEL PUMP**

**Kraftstoffpumpe/Fuel Pump gtv/spider (916) 3.0/3.2 V6 24V**

**1. KP 6416**  
1998>

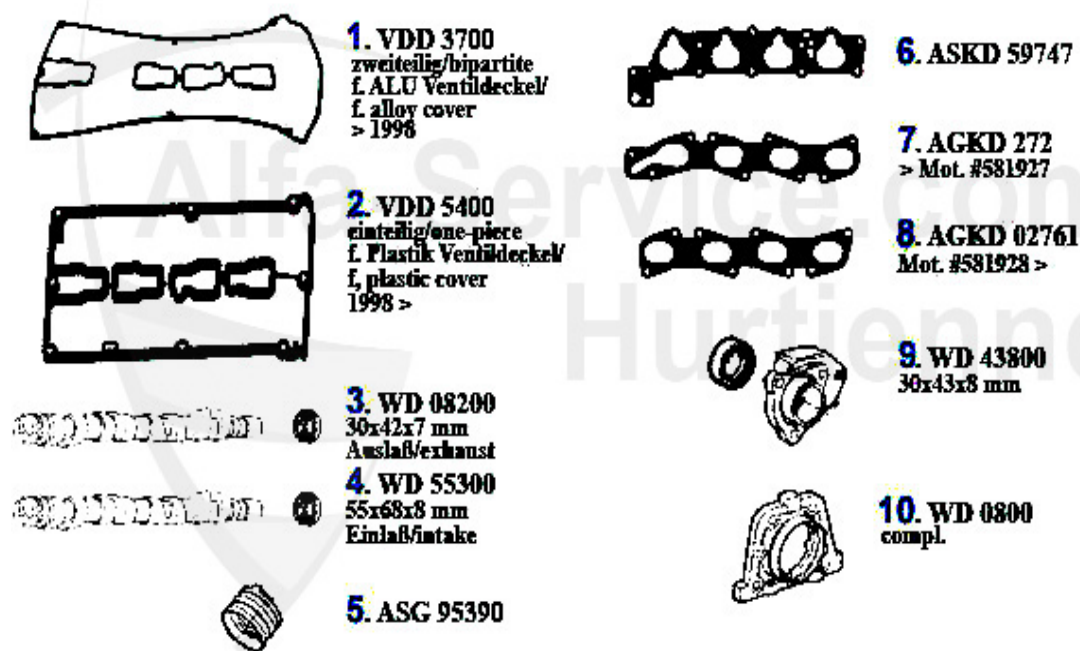


**2. KP 6563**  
1998>



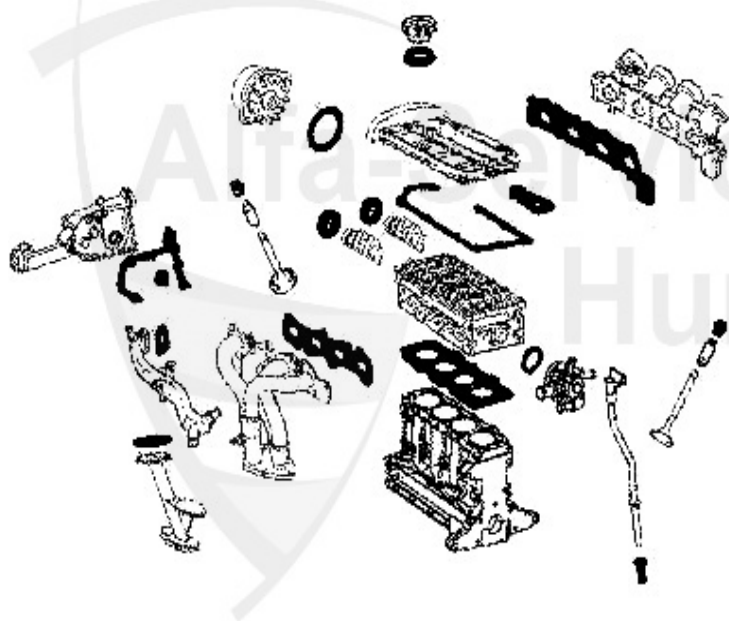
<b>1</b>	<b>KP6416</b>	<b>OE. 7782620 FUEL PUMP 145/6, 155, gtv/spider (916) Boxer/TS 16V/ V6 Turbo &gt; 1998</b>	<b>95.00 EUR</b>
<b>2</b>	<b>KP6563</b>	<b>OE. 60655432 FUEL PUMP gtv/spider (916) 1.8/2.0 TS 1998&gt;/V6 24V CF2/3</b>	<b>285.01 EUR</b>

Dichtungen Motor/Gaskets Engine gtv/spider (916) TS 16V



1	VDD3700	VALVE COVER GASKET (2 PIECES) FOR ALLUMINIUM COVER 145/6,166 DIVERSE 4 CYLINDER	33.90 EUR
2	VDD5400	CAM COVER GASKET FOR PLASTIC COVER 145/6 , 156 GTV/ SPIDER 916 04.98>	33.50 EUR
3	WD08200	CAMSHAFT 145/6,155,156,GTV/SPIDER (916), 166 VARIOUS 96-01	15.51 EUR
4	WD55300	CAMSHAFT OIL SEAL 145/6,155,156 1.6,1.7, 1.8,2.0 16V TS	17.90 EUR
5	ASG95390	Ansauggummi 145/6,147,155,156,166, gtv/spider (916),Nuovo GT TS 16V	8.72 EUR
6	ASKD59747	INTAKE MANIFOLD GASKET 145/6,147,155, 156,166,GTV/SPIDER (916),NUOVO GT # 0165088> TS 16V	25.13 EUR
7	AGKD272	Abgaskrümmer-Dichtung 145/6 2.0 16V TS bj. 95-01,155 2.0 16V TS bj. 92 -97,spider/gtv (916) 2.0 TS 16V bj. 95-98	24.49 EUR
8	AGKD02761	EXHAUST MANIFOLD GASKET 145/6,147,155, 156,166,GTV/SPIDER (916) TS/JTS 16 V STARTING FROM YEAR 1998	24.00 EUR
9	WD43800	Siri Kurbelwelle vorne (Riemensch.) 145/6 1.9 TD Bj. 94-99,147 2.0 TS 155 1.9 TD Bj. 93-97,155 2.0 TS 16V 2.0 16V Turbo	9.75 EUR
10	WD0800	OIL SEAL CRANKSHAFT REAR (FLYWHEEL) 147 1.6 TS 16V/1.9 JTD 03>, 156 1.9/2.4 JTD 00>	47.50 EUR

## Kopfdichtsatz/Head Set gtv/spider (916) TS 16V



- 1. ZKDS 61700**  
1.8 TS 16V
- 2. ZKDS 40800**  
2.0 TS 16V/CF2 > Mot. 581927  
m. ALU Ventildeckel/  
w. alloy valve cover
- 3. ZKDS 60800**  
2.0 TS 16V/CF2, Mot. 581928->  
m. Plastik Ventildeckel/  
w. plastic valve cover
- 4. ZKDS 5740**  
2.0 TS 16V/CF3  
m. Plastik Ventildeckel/  
w. plastic valve cover

<b>1</b>	<b>ZKDS61700 OE. 71713631 HEADSET</b>	<b>132.34 EUR</b>
<b>2</b>	<b>ZKDS40800 Kopfdichtsatz 145/6,155,gtv/spider (916) 2.0 TS 110 KW Bj. 95-01 Alu-Ventildeckel</b>	<b>164.99 EUR</b>
<b>3</b>	<b>ZKDS60800 HEAD GASKET SET 145/6,156,GTV/SPIDER (916) 2.0 16V TS 97-01 PLASTIC VALVE COVER</b>	<b>111.82 EUR</b>
<b>4</b>	<b>ZKDS5740 OE. 71717685 HEAD SET 147,156,Nuovo GT 1.8/2.0 TS CF3</b>	<b>165.01 EUR</b>

## Motordichtsatz/Full Set gtv/spider (916) 2.0 TS 16V



**1. MDS 74900**  
1.8 TS 16V

**2. MDS 54200**  
2.0 TS 16V/CF2, >Mot. 581927  
m. ALU Ventildeckel/  
w. alloy valva cover

**3. MDS 54300**  
2.0 TS 16V/CF2, Mot. 581928>  
m. Plastik Ventildeckel/  
w. plastic Ventildeckel

**4. MDS 3100**  
2.0 TS 16V/CF3  
m. Plastik Ventildeckel/  
w. plastic Ventildeckel

<b>1</b>	<b>MDS74900</b> Motordichtsatz 145/6,156,gtv/spider (916) 1.6 - 1.8 16V TS Bj. 97> Kunststoff-Ventildeckel	<b>155.00 EUR</b>
<b>2</b>	<b>MDS54200</b> ENGINE GASKET SET 145/6,55,156,166 1.6- 1.8 TS 16V >98 ALUMINIUM VALVE COVER	<b>155.00 EUR</b>
<b>3</b>	<b>MDS54300</b> Motordichtsatz 145/6,155,gtv/spider (916) 2.0 TS Bj. 95-01 110KW Alu-Ventildeckel	<b>175.00 EUR</b>
<b>4</b>	<b>MDS3100</b> ENGINE GASKET SET 166 2.0 TS CF3 110 KW > #2557364	<b>229.00 EUR</b>

Kopfschraubensatz/Head Srew Set gtv/spider (916) TS 16V



1. ZKSS 152080

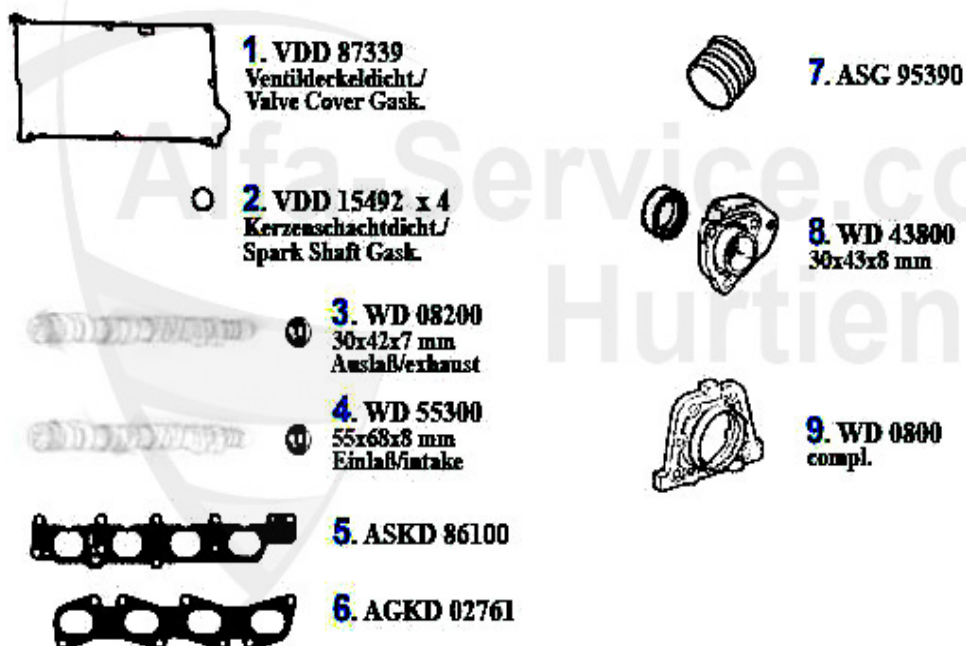
1 ZKSS15208

0

HEAD SCREW SET 145/6,147,155,156,166, GTV/SPIDER(916),NOUVO GT  
TS 16V

69.00 EUR

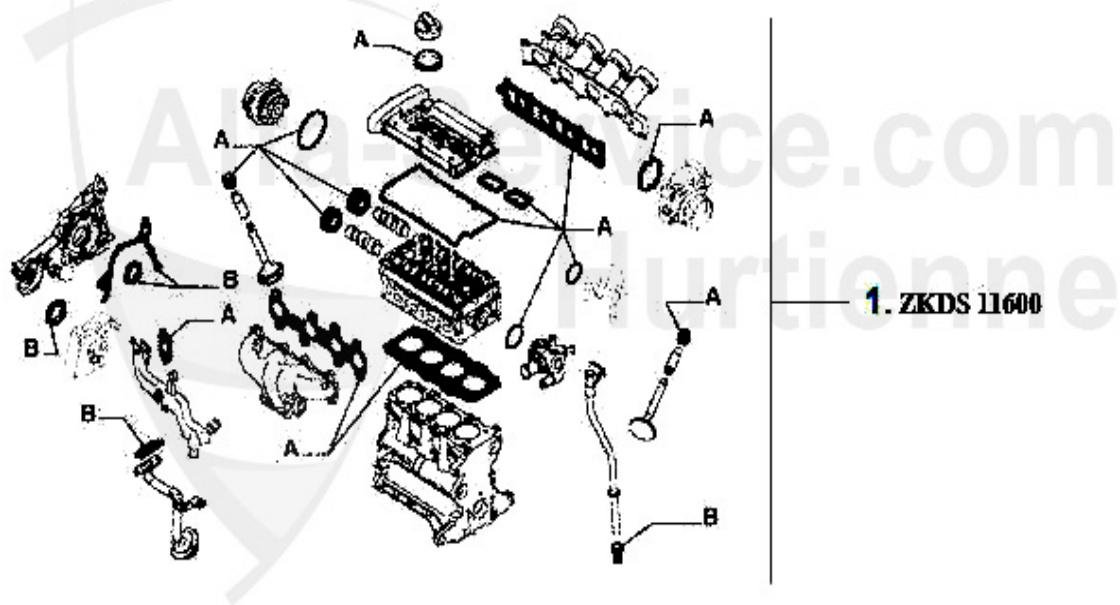
## Dichtungen Motor/Gaskets Engine gtv/spider (916) JTS



1	VDD87339 VALVE COVER SEAL 2.0 JTS 156,GTV/SPIDER (916),NUOVO GT INCL. 4 GASKET RINGS	35.00 EUR
2	VDD15492 Kerzenschachtdichtung TS 16V	3.69 EUR
3	WD08200 CAMSHAFT 145/6,155,156,GTV/SPIDER (916), 166 VARIOUS 96-01	15.51 EUR
4	WD55300 CAMSHAFT OIL SEAL 145/6,155,156 1.6,1.7, 1.8,2.0 16V TS	17.90 EUR
5	ASKD86100Ansaugkrümmerdichtung 156,gtv / spider (916), Nuovo GT 2.0 JTS	57.49 EUR
6	AGKD02761EXHAUST MANIFOLD GASKET 145/6,147,155, 156,166,GTV/SPIDER (916) TS/JTS 16 V STARTING FROM YEAR 1998	24.00 EUR
7	ASG95390 Ansauggummi 145/6,147,155,156,166, gtv/spider (916),Nuovo GT TS 16V	8.72 EUR
8	WD43800 Siri Kurbelwelle vorne (Riemensch.) 145/6 1.9 TD Bj. 94-99,147 2.0 TS 155 1.9 TD Bj. 93-97,155 2.0 TS 16V 2.0 16V Turbo	9.75 EUR
9	WD0800 OIL SEAL CRANKSHAFT REAR (FLYWHEEL) 147 1.6 TS 16V/1.9 JTD 03>, 156 1.9/2.4 JTD 00>	47.50 EUR



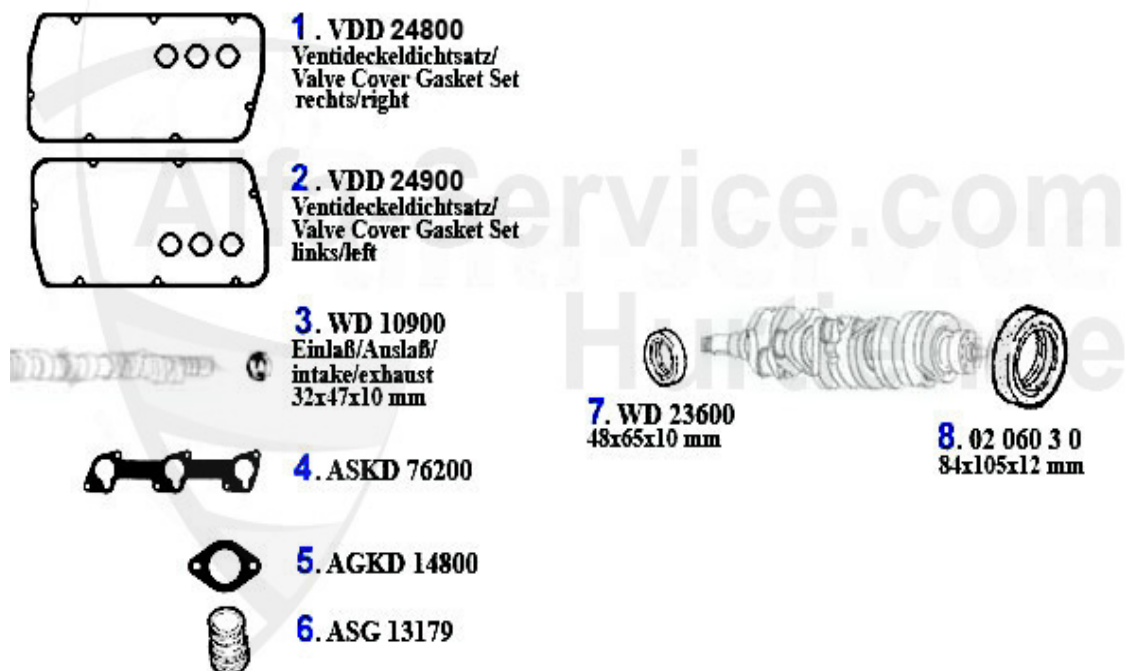
## Kopfdichsatz/Head Set gtv/spider (916) JTS



1 ZKDS11600 HEAD GASKET SET 156,GTV/SPIDER (916) NUOVO GT 2.0 JTS

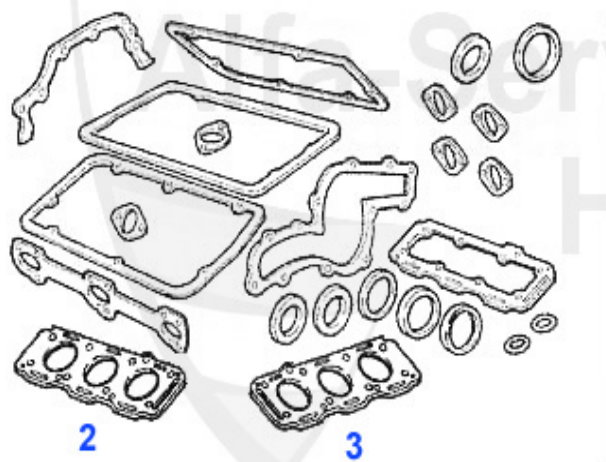
169.00 EUR

Dichtungen Motor/Gaskets Engine gtv/spider (916) 2.0 V6 Turbo



1	VDD24800	OE 60512948 VALVE COVER GASKET	47.01 EUR
2	VDD24900	OE 60512949 VALVE COVER GASKET	42.90 EUR
3	WD10900	OIL SEAL CAMSHAFT 6/75/90/164/166/GTV/6, GTV/SPIDER (916,RZ,SZ 6 CYL. 80-00 (WITH TWIST)	16.95 EUR
4	ASKD76200	Ansaugkrümmerdichtung 155,164/Super ,166,gtv/spider V6 12V	9.13 EUR
5	AGKD14800	Abgaskrümmerdichtung 6,75,90,155, 164/Super,RZ/SZ 6-Zylinder	6.50 EUR
6	ASG13179	INTAKE RUBBER 6 CYLINDER 12V ENGINE OE 60513179	24.50 EUR
7	WD23600	OE. 60567607 Sealing Gasket	18.85 EUR
8	02 060 3 0	OIL SEAL CORTECO (84/105/12) CRANKSHAFT REAR for Spider 1990-93, 75, 90, 155, 164, GTV 6, 166, 156	33.50 EUR

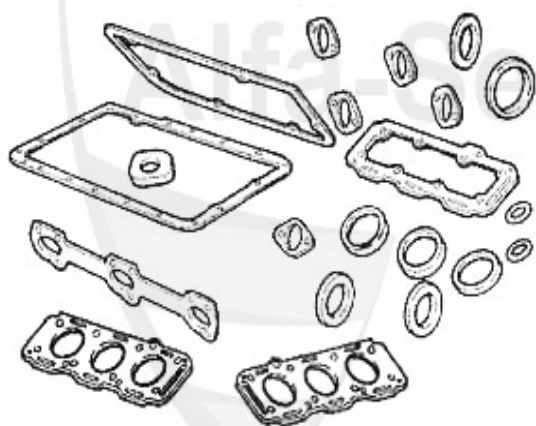
Kopfdichtsatz/Head Set gtv/spider (916) 2.0 V6 Turbo



1. ZKDS 03000

1	ZKDS03000 HEAD GASKET SET 164/SUPER,GTV/SPIDER (916) 2.0 V6 TURBO	229.00 EUR
2	ZKD8811 LEFT HEAD GASKET 2.0 V6 TURBO GTV AND SPIDER SPIDER 916, ALFA 164	101.75 EUR
3	ZKD8812 RIGHT HEAD GASKET 2.0 V6 TURBO GTV AND SPIDER 916, 164	101.75 EUR

Motordichtsatz/Full Set gtv/spider (916) 2.0 V6 Turbo



1. MDS 1163

1 MDS1163 OE. 5895399 FULL SET 2.0 V6 TURBO

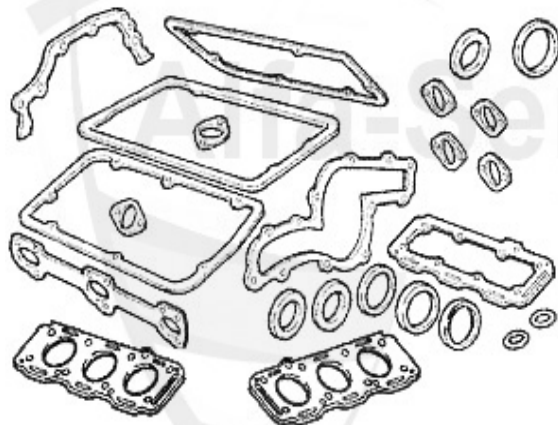
275.00 EUR

Dichtungen Motor/Gaskets Engine gtv/spider (916) V6 12V



1	VDD24600	CAM COVER GASKET RIGHT 6,75,90	38.50 EUR
2	VDD24800	OE 60512948 VALVE COVER GASKET	47.01 EUR
3	VDD24700	CAM COVER GASKET LEFT 6,75,90	38.50 EUR
4	VDD24900	OE 60512949 VALVE COVER GASKET	42.90 EUR
5	WD10900	OIL SEAL CAMSHAFT 6/75/90/164/166/GTV/6, GTV/SPIDER (916,RZ,SZ 6 CYL. 80-00 (WITH TWIST)	16.95 EUR
6	ASKD76200	Ansaugkrümmerdichtung 155,164/Super ,166,gtv/spider V6 12V	9.13 EUR
7	ASG13179	INTAKE RUBBER 6 CYLINDER 12V ENGINE OE 60513179	24.50 EUR
8	AGKD06636	OE. 60506636 GASKET	5.00 EUR
9	WD23600	OE. 60567607 Sealing Gasket	18.85 EUR
10	02 060 3 0	OIL SEAL CORTECO (84/105/12) CRANKSHAFT REAR for Spider 1990-93, 75, 90, 155, 164, GTV 6, 166, 156	33.50 EUR

Kopfdichtsatz/Head Set gtv/spider (916) 3.0 V6 12V

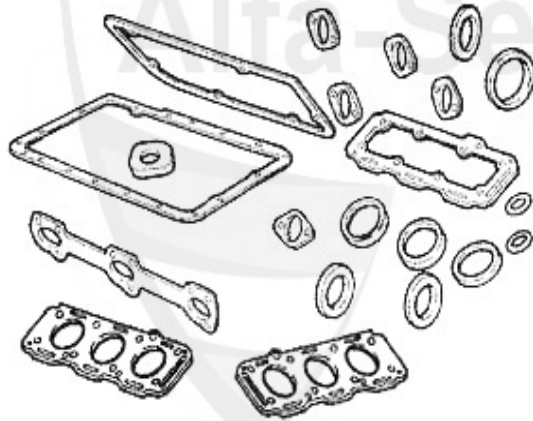


1. ZKDS 3100

1 ZKDS3100 HEAD GASKET SET 164 3.0 87-89 SPIDER (916) 3.0 95> 75 3.0 87-92 RZ/  
SZ

290.00 EUR

Motordichtsatz/Full Set gtv/spider (916) 3.0 V6 12V

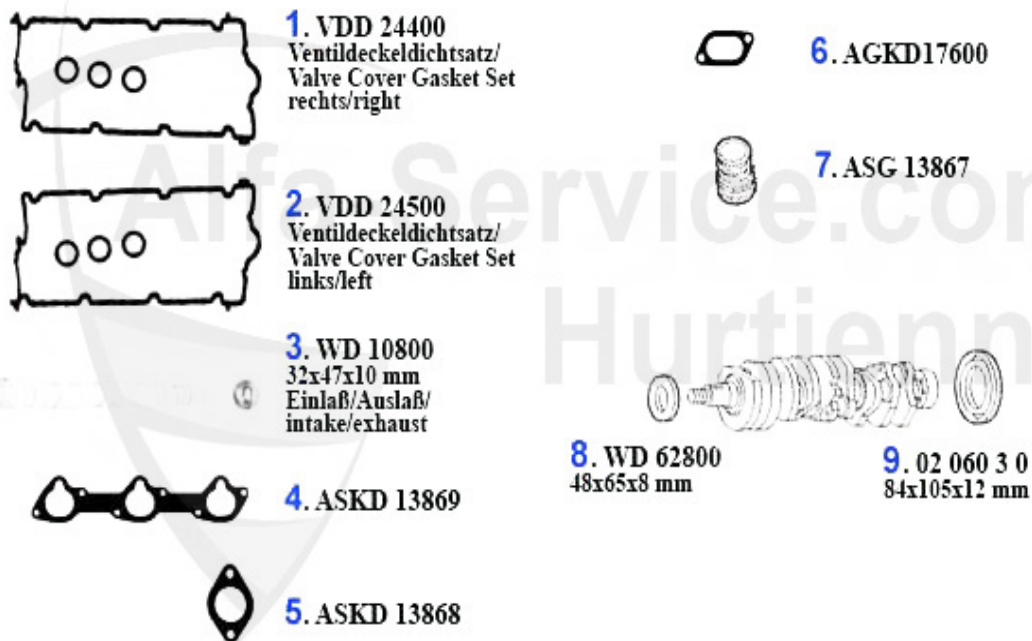


1. MDS 116400

1 MDS116400OE. 60777985 FULL SET 164 V6 3.0 87> GTV/SPIDER(916) 3.0 V6 95>

395.00 EUR

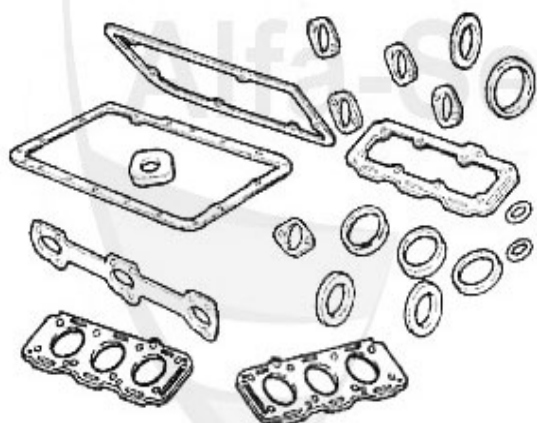
Dichtungen Motor/Gaskets Engine gtv/spider (916) 3.0/3.2 V6 24V



1	VDD24400 RIGHT CAM COVER GASKET 147,156,166,166, GTV/SPIDER (916),NUOVO GT V6 24V	39.00 EUR
2	VDD24500 LEFT CAM COVER GASKET 147,156,166, GTV/SPIDER (916),NUOVO GT V6 24V	39.00 EUR
4	ASKD13869Ansaugkrümmerdichtung 147,156,164/S uper,166,gtv/spider (916),Nuovo GT 6-Zylinder 24V	6.70 EUR
5	ASKD13868OE. 60513868 Sealing Gasket	4.90 EUR
6	AGKD17600Abgaskrümmerdichtung 156,164/Super, 166,gtv/spider (916),Nuovo GT V6 24V	9.50 EUR
7	ASG13867 INTAKE SLEEVE 164 #60513867	21.31 EUR
8	WD62800 OIL SEAL CRANKSHAFT FRONT (PULLEY) 156, 166 V6	16.51 EUR
9	02 060 3 0 OIL SEAL CORTECO (84/105/12) CRANKSHAFT REAR for Spider 1990-93, 75, 90, 155, 164, GTV 6, 166, 156	33.50 EUR



GTV/Spider (916) > ENGINE > ENGINE GASKETS > 3.0/3.2 V6 24V > HEAD SET



1. ZKDS 61000

2.

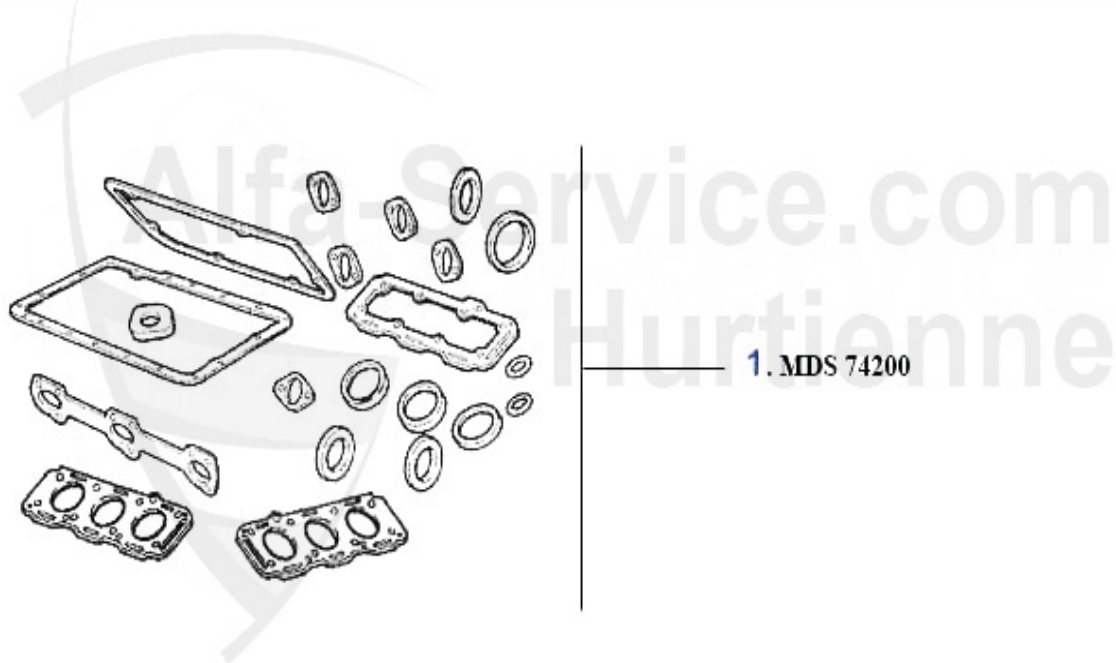


3.



2	ZKD7475	CYLINDER HEAD GASKET V6-24V LEFT 147,156,166,GT+SPIDER 916, REINZ	55.00 EUR
3	ZKD7290	CYLINDER HEAD GASKET RIGHT (REINZ) 147,156,166,GT+SPIDER 916, V6-24V	55.00 EUR

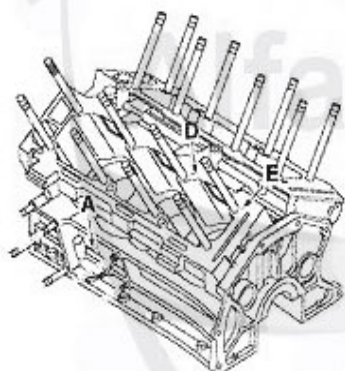
Motordichtsatz/Full set gtv/spider (916) 3.0/3.2 V6 24V



1 MDS74200 OE.71713724 FULL SET 147,156,166, GTV/SPIDER(916),NOUVO GT V6 24V/GTA ENGINE GASKET SET 147,156,166,GTV/SPIDER (916),NUOVO GT V6 24V/GTA

399.00 EUR

Kopfschraubensatz/Head Screw Set spider/gtv (916) 3.0/3.2 V6 24V



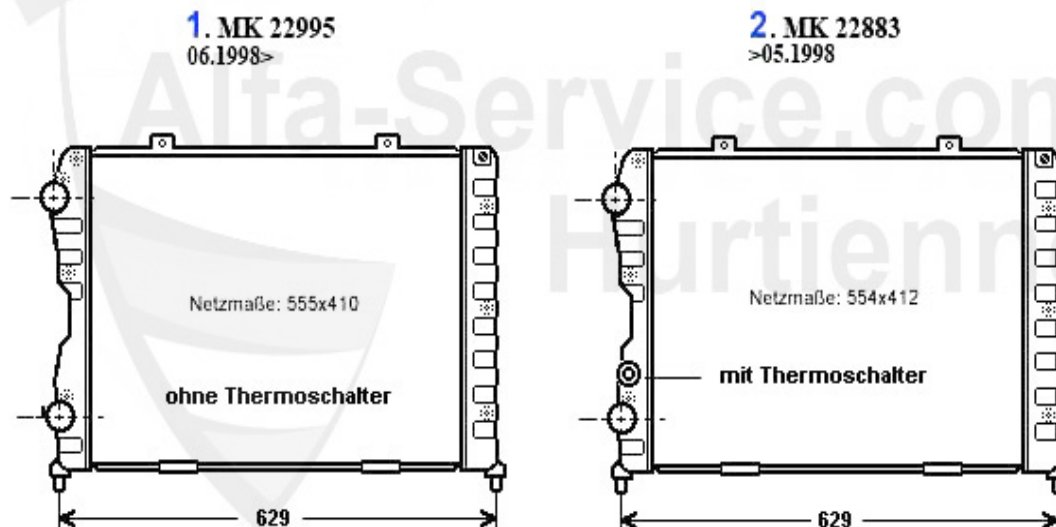
1. ZKSS 8200



1 ZKSS8200 STUD-SET CYLINDER HEAD # 605 13 756 8 Pcs.

115.00 EUR

## Kühler/Radiator gtv/spider (916) 1.8/2.0 TS



1	MK22995	OE. 60628578 RADIATOR	359.00 EUR
2	MK22883	RADIATOR GTV/SPIDER (916) 2.0 V6 Turbo, 3.0 V6 all 1.8/2.0 16V TS UNTIL # 6023907	***

## Thermostat gtv/spider (916) 1.8/2.0 TS

---

1. TH 649083  
>05.1998



2. TH 650688  
06.1998>



1	TH649083	OE. 60602148 THERMOSTAT 145/6,155,916 TS 16V	89.00 EUR
2	TH650688	OE.60653946,THERMOSTAT WITH HOUSING 1.6/1.8/2.0 IE TS YEAR 98>,THERMOSTAT 145/6,147,156,GTV(916),TS 16V	69.00 EUR

Wasserpumpe/Waterpump gtv/spider (916) 1.8/2.0 TS



1 WP00310 OE. 60586222 WATER PUMP TS 16V

69.00 EUR

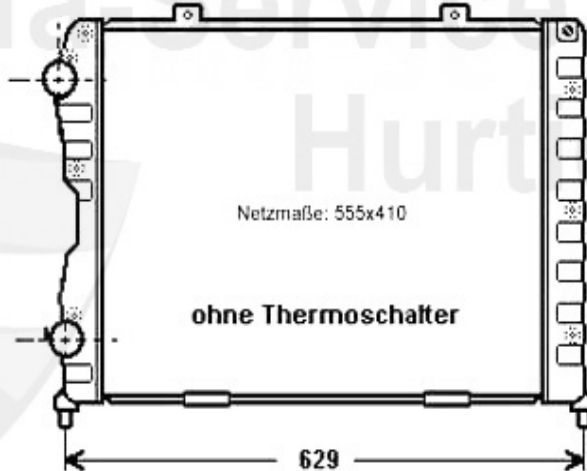
GTV/Spider (916) > ENGINE > COOLING SYSTEM > 1.8/2.0 TS > HOSES



1	KWS91601 LOWER RADIATOR HOSE 916 GTV/SPIDER 1.8 TS 16V 2.0 TS (95-06)	99.00 EUR
2	KWS0083 Verbindungsstück Verteiler Rohr-Wärmetauscher 145,147, 155,156,166,GTV+Spider 916 alle TS Motoren (CF2+CF3)	***
3	KWS14701 Kühlwasserschlauch oben 147 1,6TS/2,0TS 16V(00-10) GT 1,8TS/2,0JTS (03-10)	42.00 EUR

# Kühler/Radiator gtv/spider 2.0 JTS

1. MK 22995



1 MK22995 OE. 60628578 RADIATOR

359.00 EUR



## Thermostat gtv/spider (916) 2.0 JTS

---

1. TH 76067



---

1 TH76067 OE. 60676067 THERMOSTAT 156,gtv/spider (916),Nuovo GT 2.0 JTS

56.50 EUR

Wasserpumpe/Waterpump gtv/spider (916) 2.0 JTS

---

1. WP 00310



---

1 WP00310 OE. 60586222 WATER PUMP TS 16V

69.00 EUR



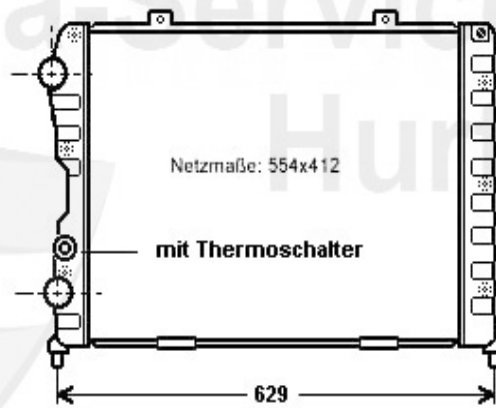
1 KWS91601 LOWER RADIATOR HOSE 916 GTV/SPIDER 1.8 TS 16V 2.0 TS (95-06)

99.00 EUR

## Kühler/Radiator gtv/spider 2.0 V6 Turbo

---

1. MK 22883



---

1 MK22883 RADIATOR GTV/SPIDER (916) 2.0 V6 Turbo, 3.0 V6 all 1.8/2.0 16V TS  
UNTIL # 6023907

\*\*\*

## Thermostat gtv/spider (916) 2.0 V6 Turbo

---

1. TH 614637



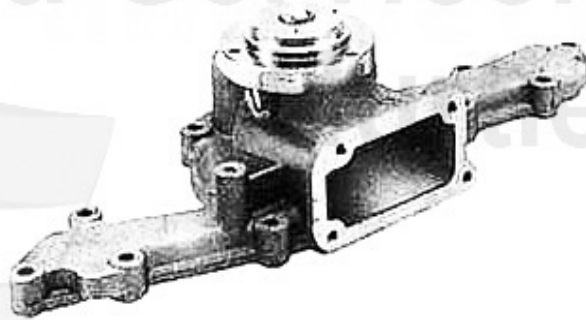
---

1 TH614637 OE. 60614637 THERMOSTAT 916 2.0 V6 Turbo

\*\*\*

Wasserpumpe/Waterpump gtv/spider (916) 2.0 V6 Turbo

---

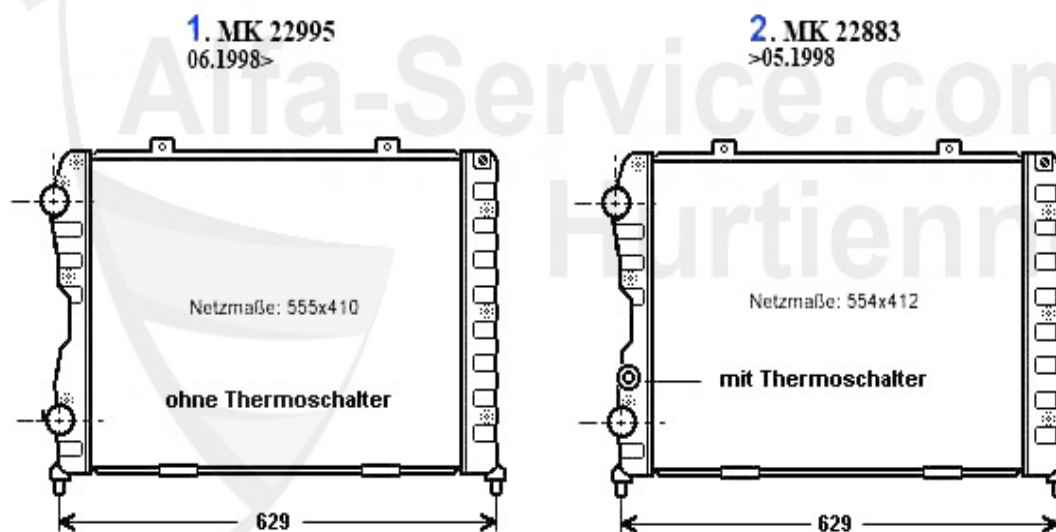


---

1 WP01110 OE. 60668488 WATER PUMP 155 2.5 V6,164/ 916 3.0 V6

109.50 EUR

## Motorkühler/Radiator gtv/spider (916) 3.0 V6



1	MK22995	OE. 60628578 RADIATOR	359.00 EUR
2	MK22883	RADIATOR GTV/SPIDER (916) 2.0 V6 Turbo, 3.0 V6 all 1.8/2.0 16V TS UNTIL # 6023907	***

## Thermostat gtv/spider (916) 3.0 V6

---

1. TH 657187



---

1 TH657187 THERMOSTAT 155,156,166,GTV,SPIDER (916) 6 CYL. (WITH HOUSING)

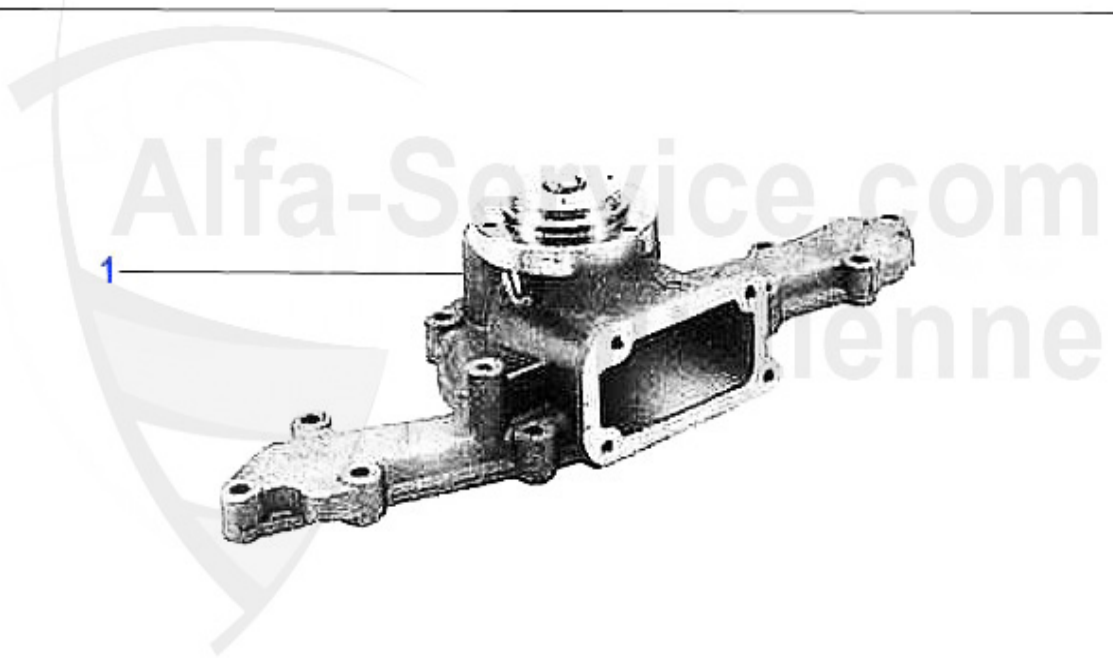
59.00 EUR



GTV/Spider (916) > ENGINE > COOLING SYSTEM > 3.0 V6 > WATERPUMP

Wasserpumpe/Waterpump gtv/spider (916) 3.0 V6

---

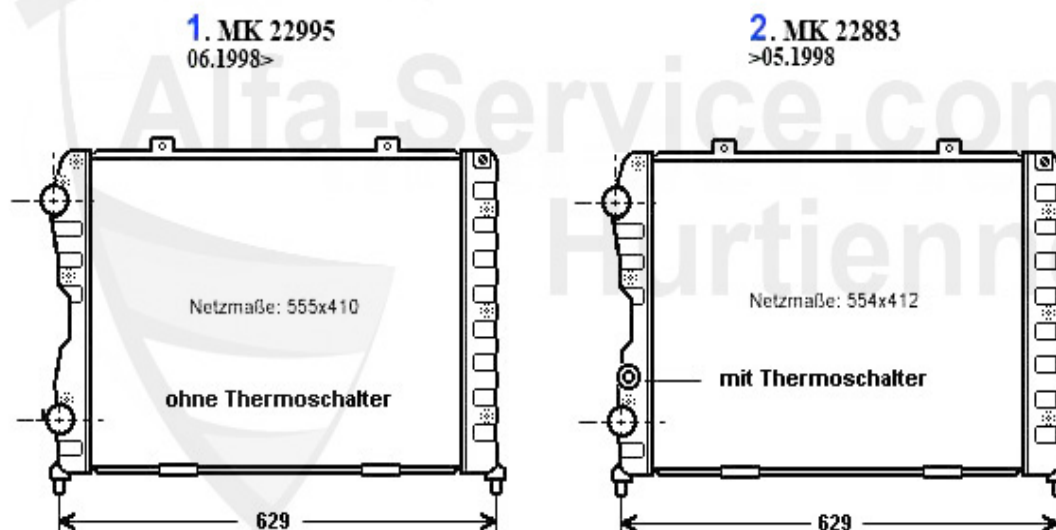


---

1 WP01110 OE. 60668488 WATER PUMP 155 2.5 V6,164/ 916 3.0 V6

109.50 EUR

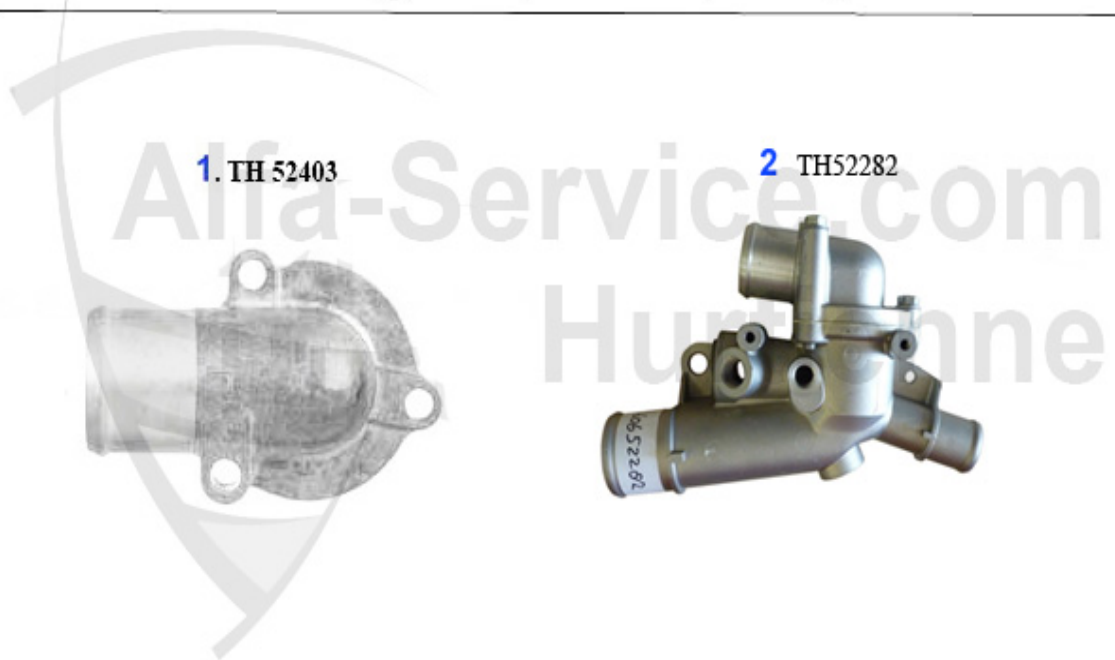
## Motorkühler/Radiator gtv/spider (916) V6 24V



1	MK22995	OE. 60628578 RADIATOR	359.00 EUR
2	MK22883	RADIATOR GTV/SPIDER (916) 2.0 V6 Turbo, 3.0 V6 all 1.8/2.0 16V TS UNTIL # 6023907	***

## Thermostat gtv/spider (916) V6 24V

---



1	TH52403	OE. 60652403 THERMOSTAT 3.2 V6 24V/GTA	75.90 EUR
2	TH52282	THERMOSTAT GTV 3.0 V6 24V INCLUDING DISTRIBUTOR (95-98)	190.17 EUR

Wasserpumpe/Waterpump gtv/spider (916) V6 24V

---

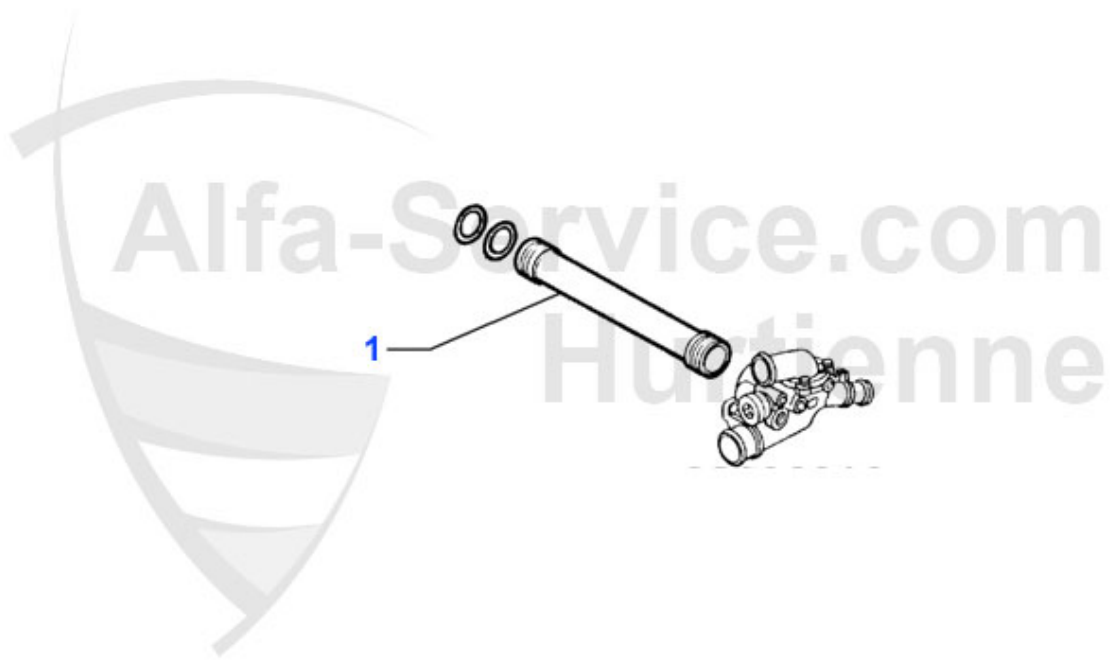
1. WP 81355



---

1 WP81355 OE. 60816018 WATER PUMP V6 24V

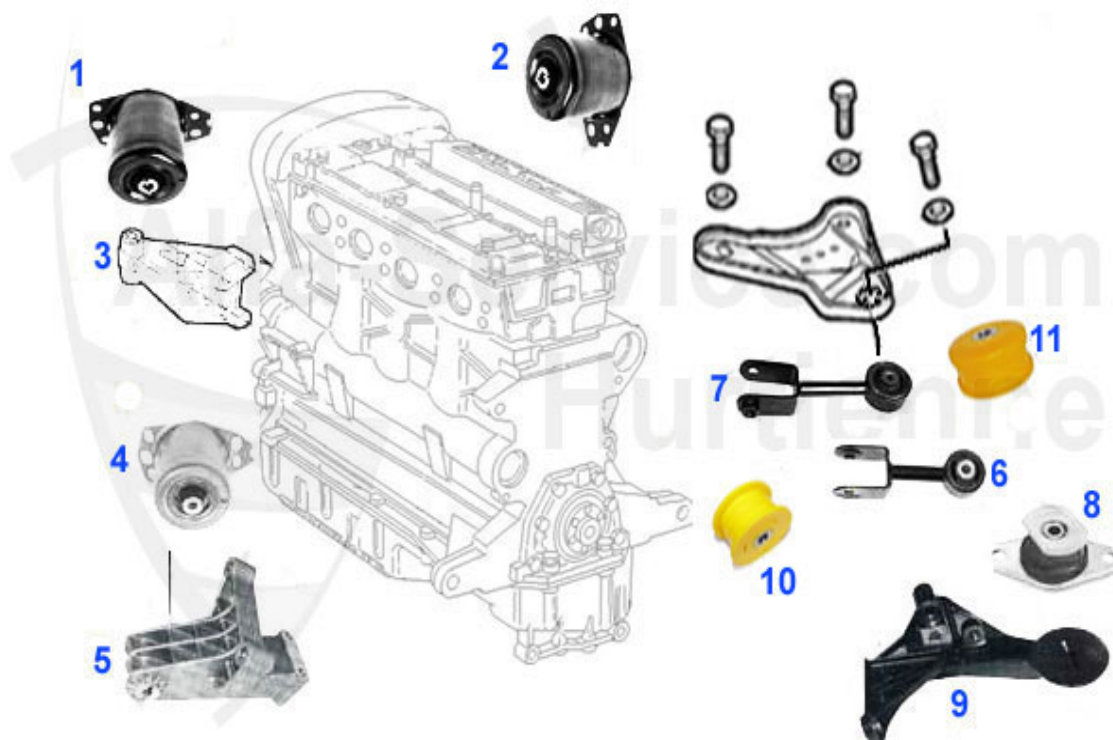
149.00 EUR



- 
- 1** KWS04178 TUBE WATERPUMP-THERMOSTAT 2.5/3.0/3.2 V6 24V (95-10)  
147,156,166,GT,GTV/ SPIDER (916)

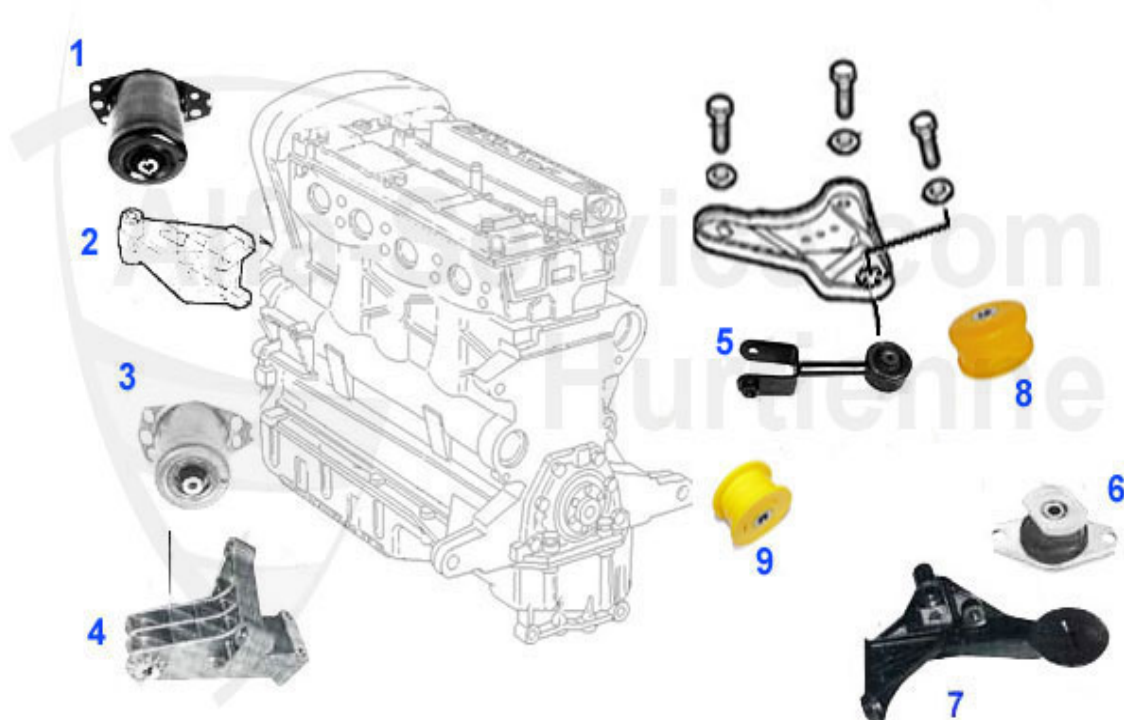
\*\*\*

## GTV/Spider (916) > ENGINE > ENGINE MOUNT > 1.8/2.0 TS



1	ML3237	FRONT ENGINE MOUNT 145/6,155 all TS MODELS 16V & 6 CYL.,GTV/Spider (916) 4 CYL.	50.78 EUR
2	ML55341	OE. 60655341 ENGINE MOUNT FL 156, gtv/spider (916) 1.8 TS 16V	***
3	ML99403	OE. 60672234/60599403 ENGINE MOUNT	109.00 EUR
4	ML88460	ENGINE MOUNT 145/6,147 (74KW),155,156, GTV/SPIDER (916)	45.01 EUR
5	ML23429	OE. 46423429 SUPPORT	***
6	ML88458	Motorzugstange 145/6,155,gtv/spider (916) 2.0 TS 16V	***
7	ML52899	OE. 60652899 ENGINE MOUNT 145/6 2.0 TS, 147 all,156,gtv/spider (916) 1998>, Nuovo GT TS/JTS (without Selespeed)	***
8	ML3234	OE. 7652240/60808861 ENGINE MOUNT	73.99 EUR
9	ML70915	OE. 7770915 SUPPORT	196.59 EUR

## GTV/Spider (916) > ENGINE > ENGINE MOUNT > 2.0 JTS



1	ML3237	FRONT ENGINE MOUNT 145/6,155 all TS MODELS 16V & 6 CYL.,GTV/Spider (916) 4 CYL.	50.78 EUR
2	ML72234	OE. 60672234 ENGINEMOUNT FR. 156 2002>, gtv/spider (916) 1998>, Nuovo GT TS 16V	92.50 EUR
3	ML88460	ENGINE MOUNT 145/6,147 (74KW),155,156, GTV/SPIDER (916)	45.01 EUR
4	ML23429	OE. 46423429 SUPPORT	***
5	ML52899	OE. 60652899 ENGINE MOUNT 145/6 2.0 TS, 147 all,156,gtv/spider (916) 1998>, Nuovo GT TS/JTS (without Selespeed)	***
6	ML3234	OE. 7652240/60808861 ENGINE MOUNT	73.99 EUR
7	ML70915	OE. 7770915 SUPPORT	196.59 EUR
8	AB916821-C	Powerflex Buchse Zugstange Chassis Seite GTV+Spider916 (1995-2005)	39.00 EUR
9	AB916820-M	Powerflex Buchse Zugstange Motorseitig GTV+Spider 916 1995-2005/145,146,155,	39.50 EUR

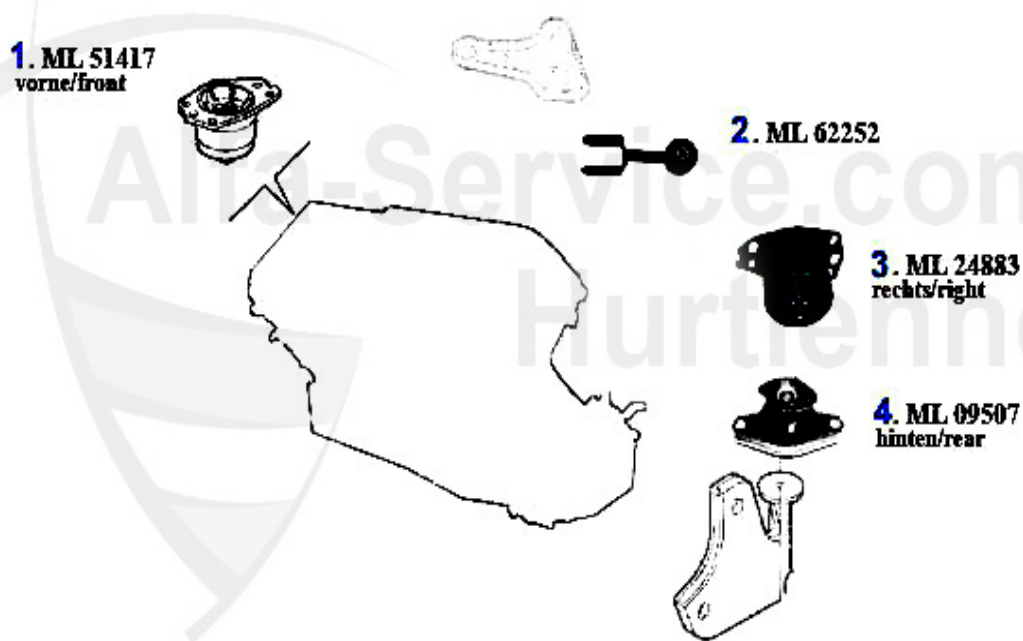
Motorlager/Enginemount gtv/spider (916) 2.0 V6 Turbo



1	ML51417	OE. 60651417 ENGINEMOUNT gtv/spider (916) 2.0 V6 Turbo	***
2	ML62252	OE. 60562252 ENGINE ROD	***
3	ML24883	OE. 60624883 ENGINEMOUNT RR gtv/spider (916) 2.0 V6 Turbo	120.00 EUR
4	ML09507	OE. 60609507 ENGINEMOUNT rear downside gtv/spider (916) 2.0 V6 Turbo	***



## Motorlager/Enginemount gtv/spider (916) 3.0 V6



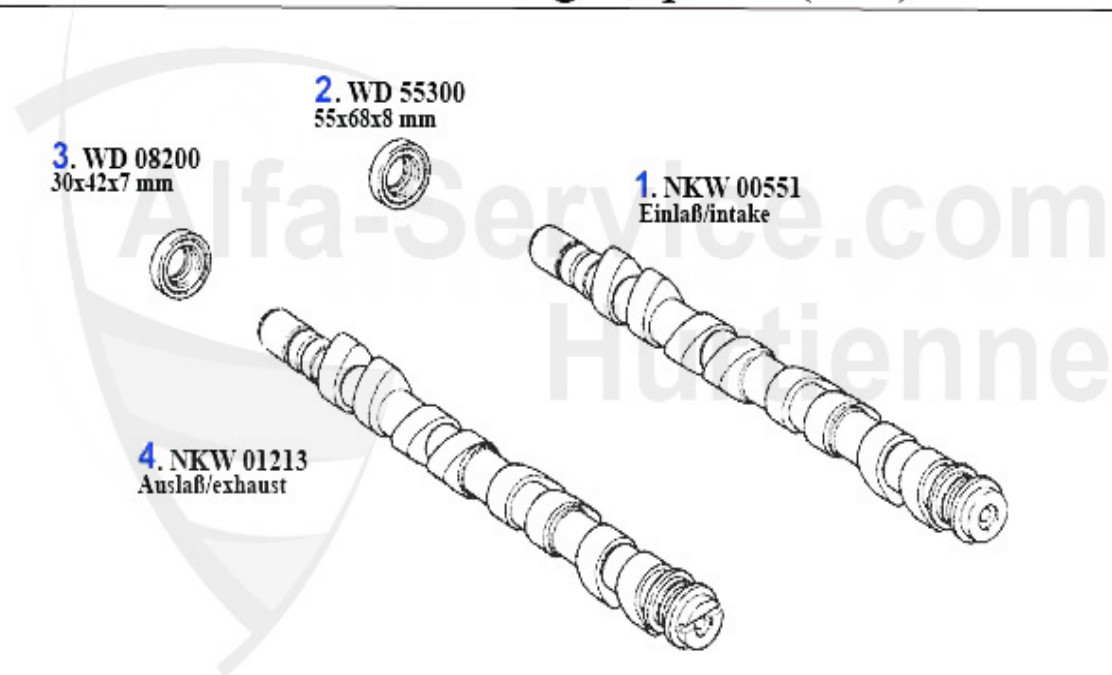
1	ML51417	OE. 60651417 ENGINEMOUNT gtv/spider (916) 2.0 V6 Turbo	***
2	ML62252	OE. 60562252 ENGINE ROD	***
3	ML24883	OE. 60624883 ENGINEMOUNT RR gtv/spider (916) 2.0 V6 Turbo	120.00 EUR
4	ML09507	OE. 60609507 ENGINEMOUNT rear downside gtv/spider (916) 2.0 V6 Turbo	***

## Motorlager/Enginemount gtv/spider (916) V6 24V



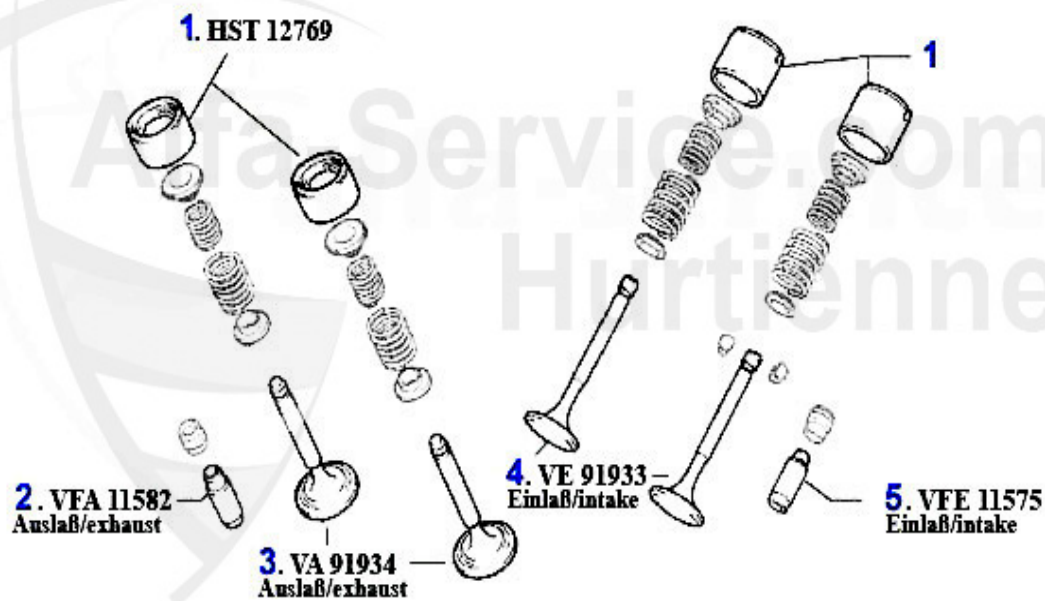
1	ML51417	OE. 60651417 ENGINEMOUNT gtv/spider (916) 2.0 V6 Turbo	***
2	ML56136	OE. 60656136 ENGINEROD gtv/spider (916) V6 24V	***
3	ML24883	OE. 60624883 ENGINEMOUNT RR gtv/spider (916) 2.0 V6 Turbo	120.00 EUR
4	ML09507	OE. 60609507 ENGINEMOUNT rear downside gtv/spider (916) 2.0 V6 Turbo	***

## Nockenwelle/Camshaft gtv/spider (916) TS 16V



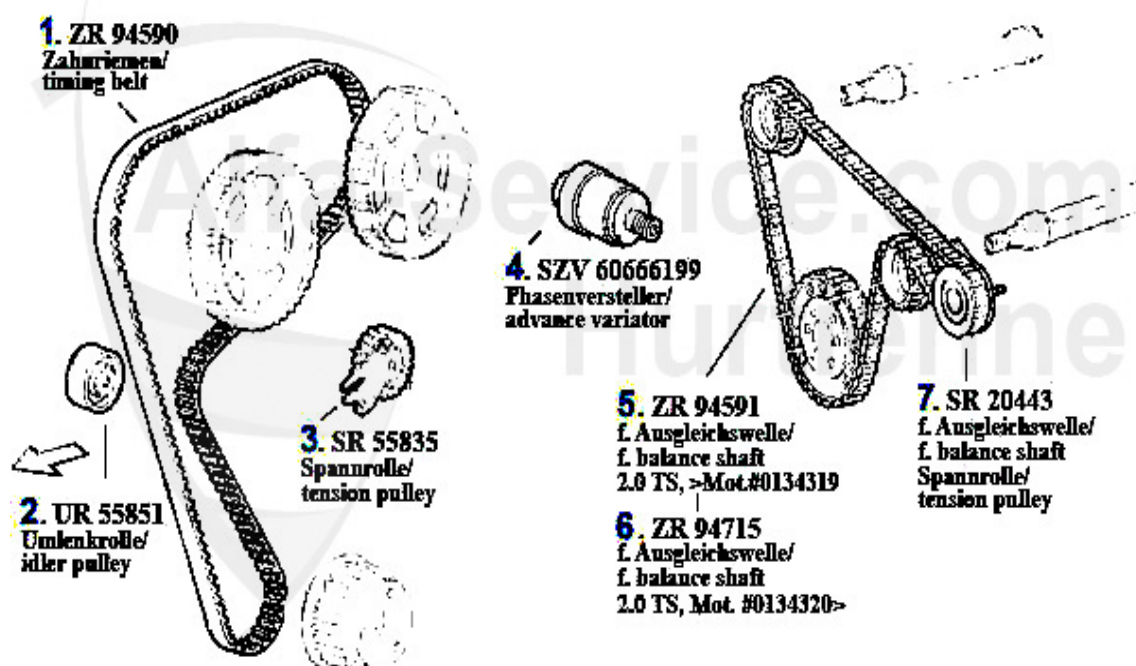
1	NKW00551 OE. 60600551 CAMSHAFT	419.00 EUR
2	WD55300 CAMSHAFT OIL SEAL 145/6,155,156 1.6,1.7, 1.8,2.0 16V TS	17.90 EUR
3	WD08200 CAMSHAFT 145/6,155,156,GTV/SPIDER (916), 166 VARIOUS 96-01	15.51 EUR
4	NKW01213 OE. 60601213 CAMSHAFT	419.00 EUR

## Ventiltrieb/Valve Train gtv/spider (916) TS 16V



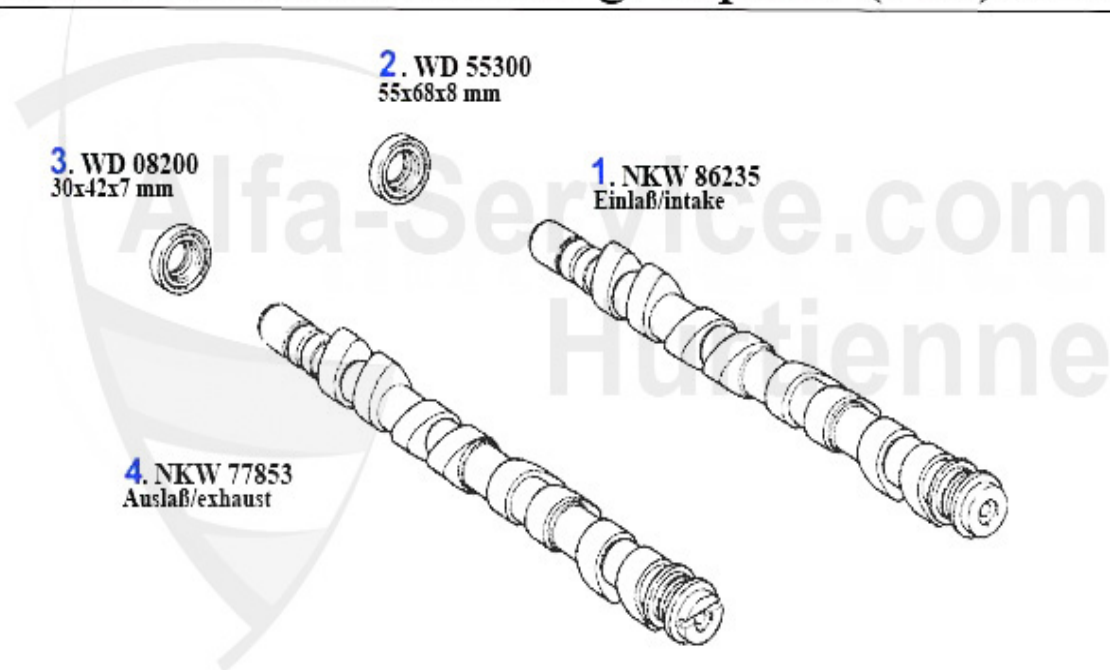
1	HST12769	HYDRAULIC VALVE LIFTER 145/6,147,155 156,166,GTV/SPIDER(916)16V TS ALL!	6.50 EUR
2	VFA11582	Ventilführung Auslaß + 0.05 TS 16V	21.03 EUR
3	VA91934	EXHAUST VALVE 145/6,155,156,SPIDER/GTV (916) 1.6/1.8/2.0 TS 16V	18.05 EUR
4	VE91933	INLET VALVE 145/6,155,156,SPIDER/GTV (916) 1.6/1.8/2.0 TS 16V	15.28 EUR
5	VFE11575	Ventilführung Einlaß +0.05 TS 16V	21.03 EUR

## Zahnriemen/Timing Belt gtv/spider (916) TS 16V



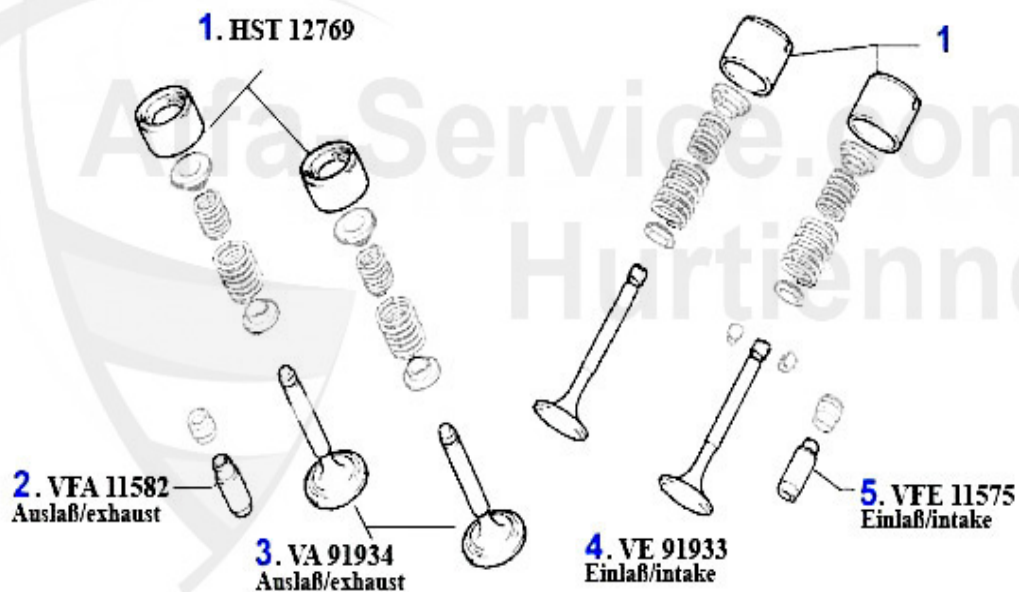
1	ZR94590	OE.60814319 TIMING BELT 168SHPN240H 145/6 1.8/2.0 IE/16V/TS, 147 2.0 16V TS,155 2.0 16V TS,156 1.8,2.0 IE 16V/TS	49.50 EUR
2	UR55851	OE. 60671573 DEFLECTION PULLEY 1.8 TS 16V 145/6, 147, 155, 156, 166, Nuovo GT, gtv/spider (916)	32.50 EUR
3	SR55835	OE. 55192239 IDLER PULLEY 1.8 TS 16V 145/6, 147, 155, 156, 166, gtv/spider (916)	89.50 EUR
4	SZVRS1545 0	Reparatursatz Spritzzeitversteller Alfa 145/46 155/6 Spider / GTV 916	19.00 EUR
4	SZV6066619 9	ORIGINAL ADVANCE VARIATOR TS 16V FOR 145/6,155,156,164,166,GTV/SPIDER(916)	479.00 EUR
5	ZR94591	Zahnriemen 130SLDD150H 145/6,155/6 2.0 16V TS Ausgleichswelle,Hochtemp eratur-Ausführung	66.00 EUR
6	ZR94715	TIMING BELT 126SHPDD150H 145/6,155, SPIDER/GTV (916) 2.0 16V TS,BALANCE SHAFT,HIGH-TEMPERATURE VERSION	89.00 EUR
7	SR20443	Spannrolle für Ausgleichswelle 2.0 TS gtv/spider (916),155,156 Mot.- Nr. 0134319>	39.50 EUR

## Nockenwelle/Camshaft gtv/spider (916) JTS



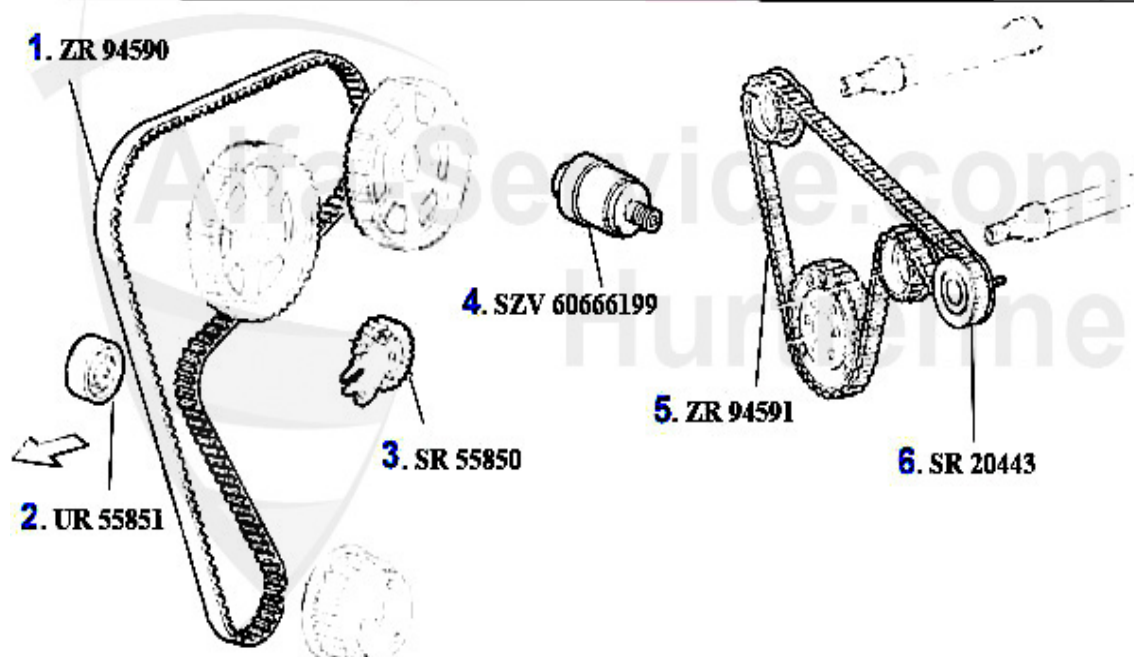
1	NKW86235 OE. 55186235 CAMSHAFT INTAKE 2.0 JTS	549.99 EUR
2	WD55300 CAMSHAFT OIL SEAL 145/6,155,156 1.6,1.7, 1.8,2.0 16V TS	17.90 EUR
3	WD08200 CAMSHAFT 145/6,155,156,GTV/SPIDER (916), 166 VARIOUS 96-01	15.51 EUR
4	NKW77853 OE. 60677853 CAMSHAFT EXHAUST 2.0 JTS	509.00 EUR

## Ventiltrieb/Valve Train gtv/spider (916) JTS



1	HST12769	HYDRAULIC VALVE LIFTER 145/6,147,155 156,166,GTV/SPIDER(916)16V TS ALL!	6.50 EUR
2	VFA11582	Ventilführung Auslaß + 0.05 TS 16V	21.03 EUR
4	VA91934	EXHAUST VALVE 145/6,155,156,SPIDER/GTV (916) 1.6/1.8/2.0 TS 16V	18.05 EUR
5	VFE11575	Ventilführung Einlaß +0.05 TS 16V	21.03 EUR
5	VE91933	INLET VALVE 145/6,155,156,SPIDER/GTV (916) 1.6/1.8/2.0 TS 16V	15.28 EUR

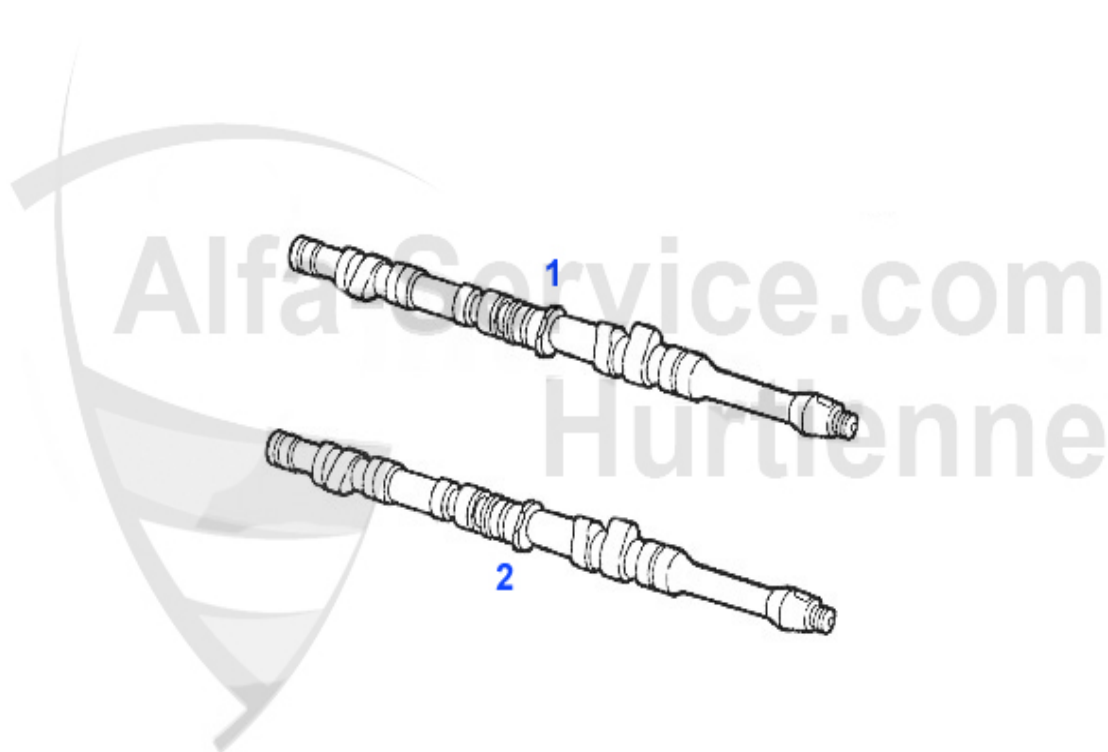
## Zahnriemen/Timingbelt gtv/spider (916) JTS



1	ZR94590	OE.60814319 TIMING BELT 168SHPN240H 145/6 1.8/2.0 IE/16V/TS, 147 2.0 16V TS,155 2.0 16V TS,156 1.8,2.0 IE 16V/TS	49.50 EUR
2	UR55851	OE. 60671573 DEFLECTION PULLEY 1.8 TS 16V 145/6, 147, 155, 156, 166, Nuovo GT, gtv/spider (916)	32.50 EUR
3	SR55850	Spannrolle Zahnriemen 145/6 1.4 ie 16V TS,155/6 1.6 ie 16V TS/2.0 JTS/ gtv/spider (916) 2.0 JTS	36.00 EUR
4	SZVRS1545 0	Reparatursatz Spritzzeitversteller Alfa 145/46 155/6 Spider / GTV 916	19.00 EUR
4	SZV6066619 9	ORIGINAL ADVANCE VARIATOR TS 16V FOR 145/6,155,156,164,166,GTV/SPIDER(916)	479.00 EUR
5	ZR94591	Zahnriemen 130SLDD150H 145/6,155/6 2.0 16V TS Ausgleichswelle,Hochtemp eratur-Ausführung	66.00 EUR
6	SR20443	Spannrolle für Ausgleichswelle 2.0 TS gtv/spider (916),155,156 Mot.- Nr. 0134319>	39.50 EUR

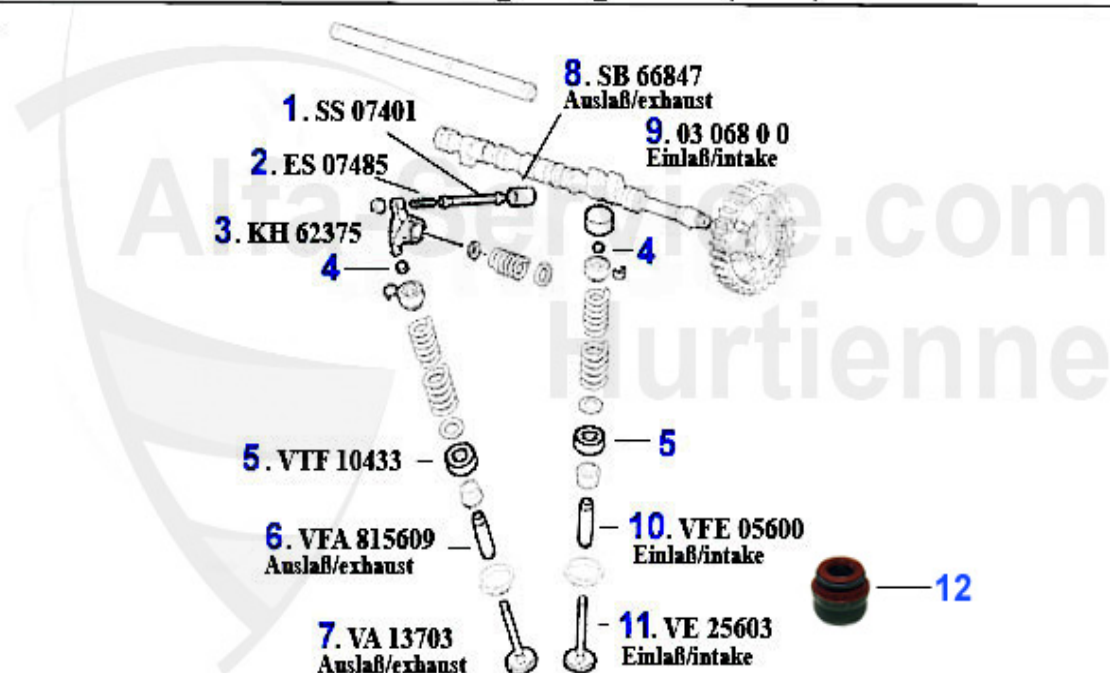


GTV/Spider (916) > ENGINE > VALVE GEAR > 2.0 V6 Turbo > CAMSHAFT



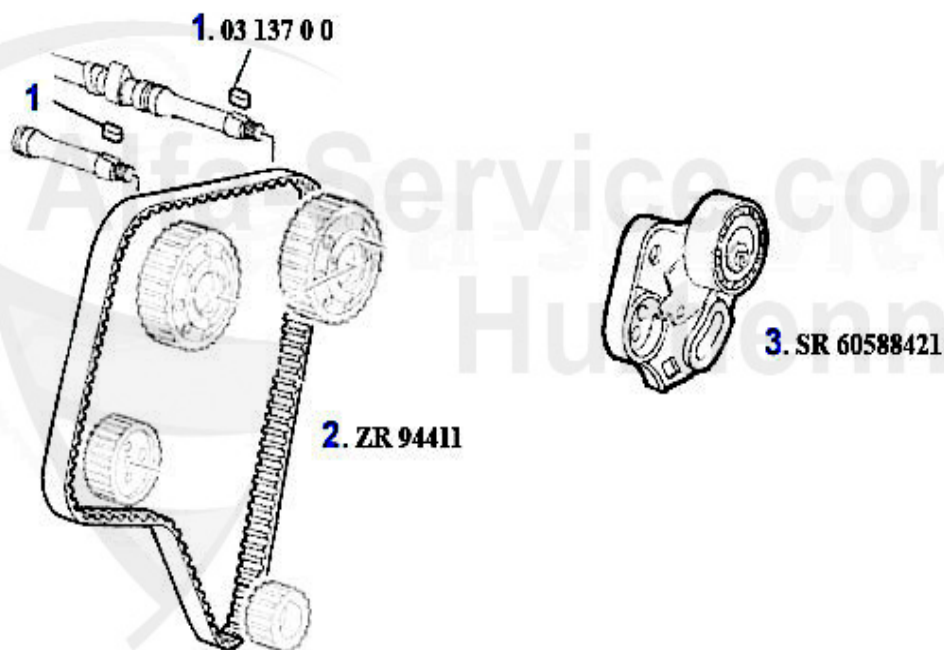
<b>1</b>	<b>NKW02873 CAMSHAFT 164 SUPER 2.0 V6 GTV/SPIDER 2.0 TURBO V6</b>	<b>475.24 EUR</b>
<b>2</b>	<b>NKW02874 CAMSHAFT LEFT 164 SUPER 2.0 V6 GTV/SPIDER 2.0 V6 TURBO</b>	<b>475.24 EUR</b>

## Ventiltrieb/Valve Train gtv/spider (916) 2.0 V6 Turbo



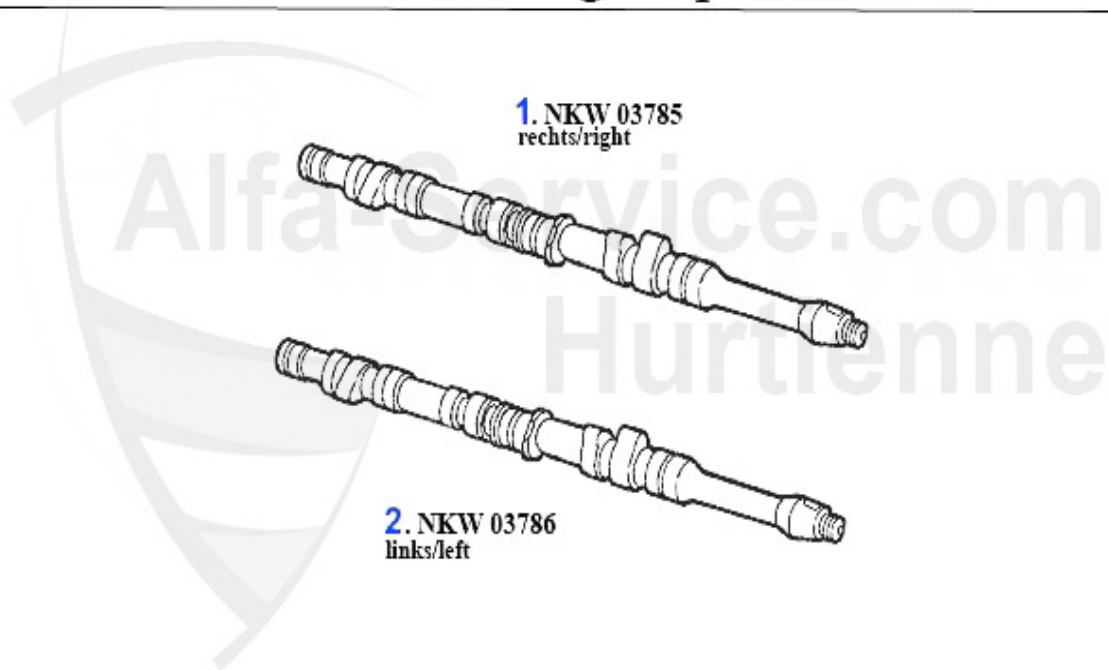
1	SS07401	PUSH ROD (exhaust) 75,155,164,166,RZ/SZ, GTV/SPIDER (916),GTV/6	77.30 EUR
2	ES07485	Einstellschraube f. Kipphebelwelle 75,155,164,166,RZ,SZ,gtv/spider (916),GTV/6	3.75 EUR
3	KH62375	Kipphebel (Auslaß) 155, 164/Super, 166, gtv/spider (916)	89.06 EUR
4	03 114 0 0	VALVE ADJUSTING SHIMS 200 pcs per box 2.525 - 3.500 mm	559.00 EUR
4	03 084 0 0	VALVE ADJUSTING SHIMS 205 pcs per box 1.500 - 2.500 mm	559.00 EUR
5	VTF10433	OE. 60601088/60810433 VALVE CUP	6.81 EUR
6	VFA815609	OE. 60605721 VALVE GUIDE-EXHAUST 6-Cylinder 116	9.75 EUR
7	VA13703	OE. 60513707 VALVE EXHAUST 2.0 V6 Turbo	81.04 EUR
8	SB66847	CAMFOLLOWER 155,164 GTV/SPIDER 916 24 x 21,5 x 36	20.25 EUR
9	03 068 0 0	CAM FOLLOWER OE60612178	16.90 EUR
9	03 083 0 0	CAM FOLLOWER WITH DLC COATING	35.00 EUR
10	VFE05600	OE. 60605725 Valve Guide	13.23 EUR
11	VE25603	OE. 60625603 VALVE INTAKE 2.0 V6 Turbo	49.00 EUR
12	VSD3357	VALVE STEM SEAL 2.5 V6/3.0 V6/3.2 V6/147,156,164,166,GTV,Spider,Nuovo GT,33	3.90 EUR

Zahnriemen/Timing Belt gtv/spider (916) 2.0 V6 Turbo



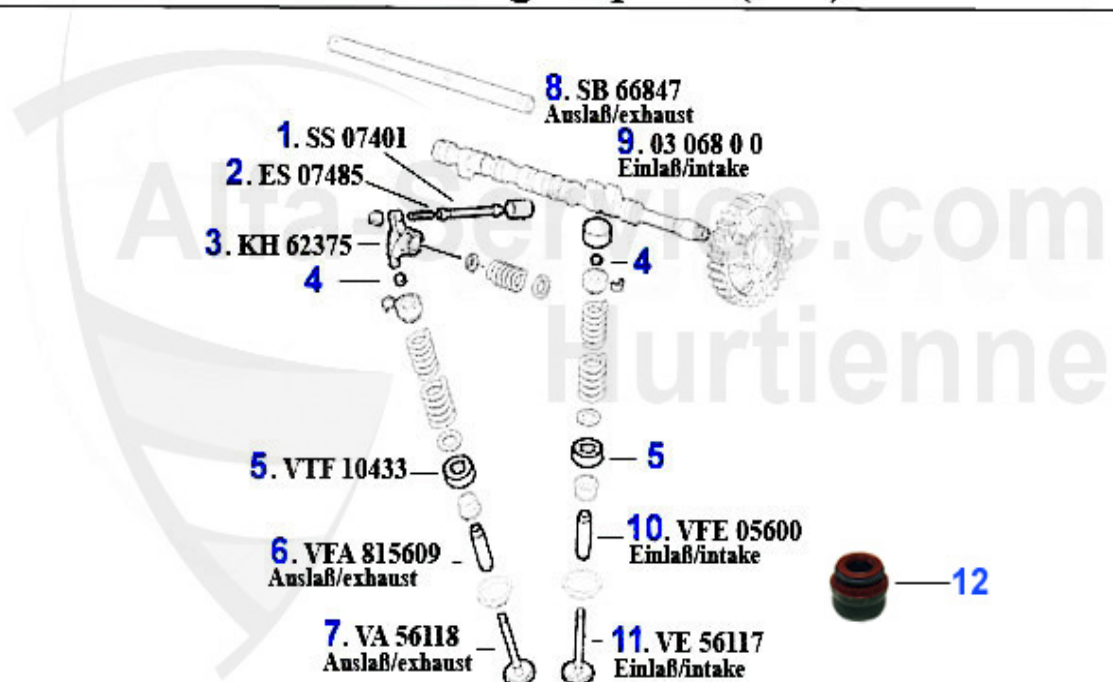
1	03 137 0 0	WEDGE FOR CAMSHAFTS	5.50 EUR
2	ZR94411	OE. 60500466 TIMINGBELT V6 12V 1992>	29.50 EUR
3	SR60588421	OE. 60588421 BELT TENSIONER MECHANIC.	149.00 EUR

## Nockenwelle/Camshaft gtv/spider 3.0 V6 12V



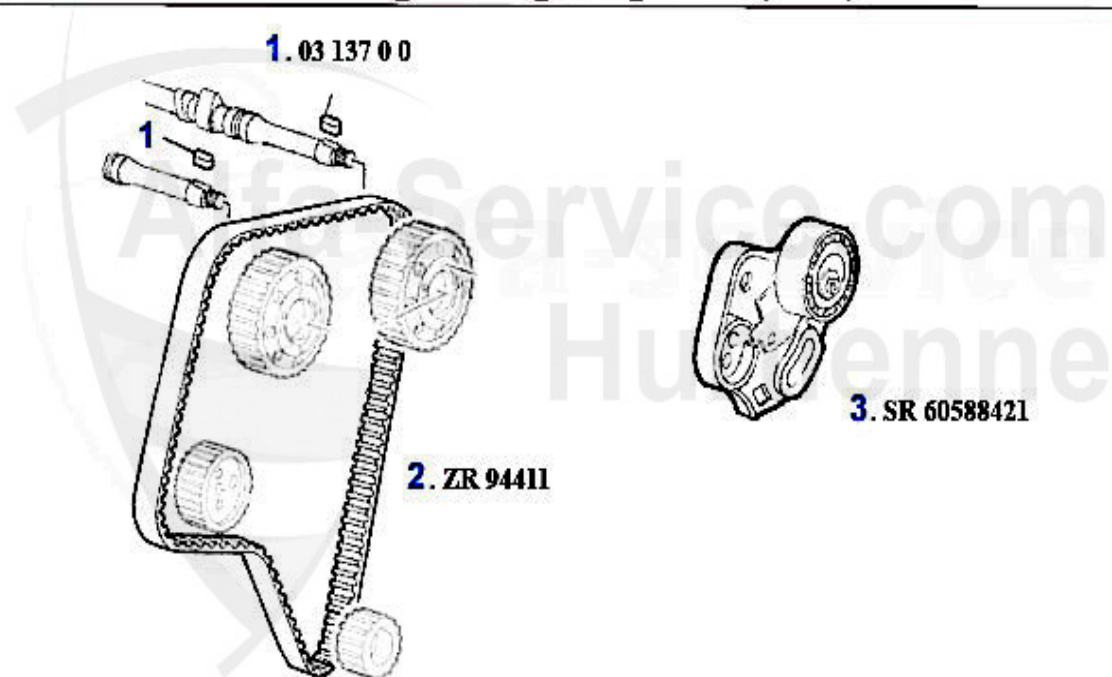
- |   |   |            |
|---|---|------------|
| 1 | NKW03785 Nockenwelle rechts gtv/spider (916) 3.0 V6 (nicht 24V) | ***        |
| 2 | NKW03786 Nockenwelle links gtv/spider (916) 3.0 V6 (nicht 24V)  | 439.11 EUR |

## Ventiltrieb/Valve Train gtv/spider (916) 3.0 V6 12V



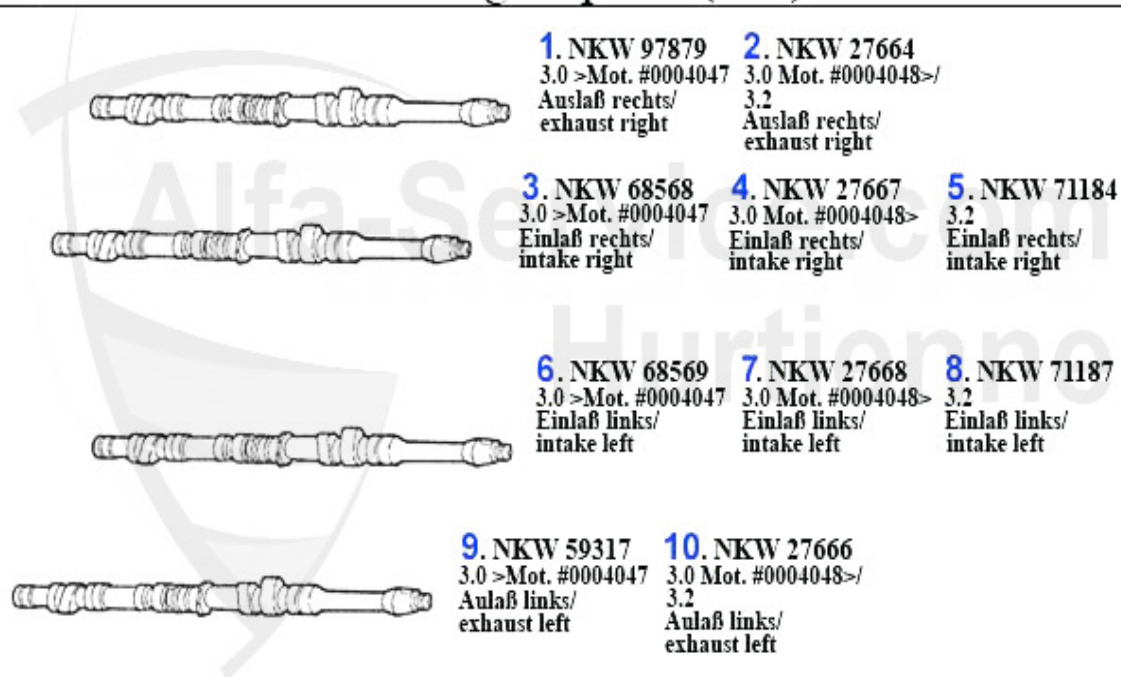
1	SS07401	PUSH ROD (exhaust) 75,155,164,166,RZ/SZ, GTV/SPIDER (916),GTV/6	77.30 EUR
2	ES07485	Einstellschraube f. Kipphebelwelle 75,155,164,166,RZ,SZ,gtv/spider (916),GTV/6	3.75 EUR
3	KH62375	Kipphebel (Auslaß) 155, 164/Super, 166, gtv/spider (916)	89.06 EUR
4	03 084 0 0	VALVE ADJUSTING SHIMS 205 pcs per box 1.500 - 2.500 mm	559.00 EUR
4	03 114 0 0	VALVE ADJUSTING SHIMS 200 pcs per box 2.525 - 3.500 mm	559.00 EUR
5	VTF10433	OE. 60601088/60810433 VALVE CUP	6.81 EUR
6	VFA815609	OE. 60605721 VALVE GUIDE-EXHAUST 6-Cylinder 116	9.75 EUR
7	VA56118	OUTLET VALVE FOR 75,164/SUPER,RZ,SZ, GTV/SPIDER (916) 3.0 V6 (EXCEPTION 24V)	27.50 EUR
8	SB66847	CAMFOLLOWER 155,164 GTV/SPIDER 916 24 x 21,5 x 36	20.25 EUR
9	03 068 0 0	CAM FOLLOWER OE60612178	16.90 EUR
10	VFE05600	OE. 60605725 Valve Guide	13.23 EUR
11	VE56117	Ventil-Einlaß 75,164/Super,RZ,SZ,gt v/spider (916) 3.0 V6 (nicht 24V)	***
12	VSD3357	VALVE STEM SEAL 2.5 V6/3.0 V6/3.2 V6/147,156,164,166,GTV,Spider,Nuovo GT,33	3.90 EUR

## Zahnriemen/Timing Belt gtv/spider (916) 3.0 V6 12V



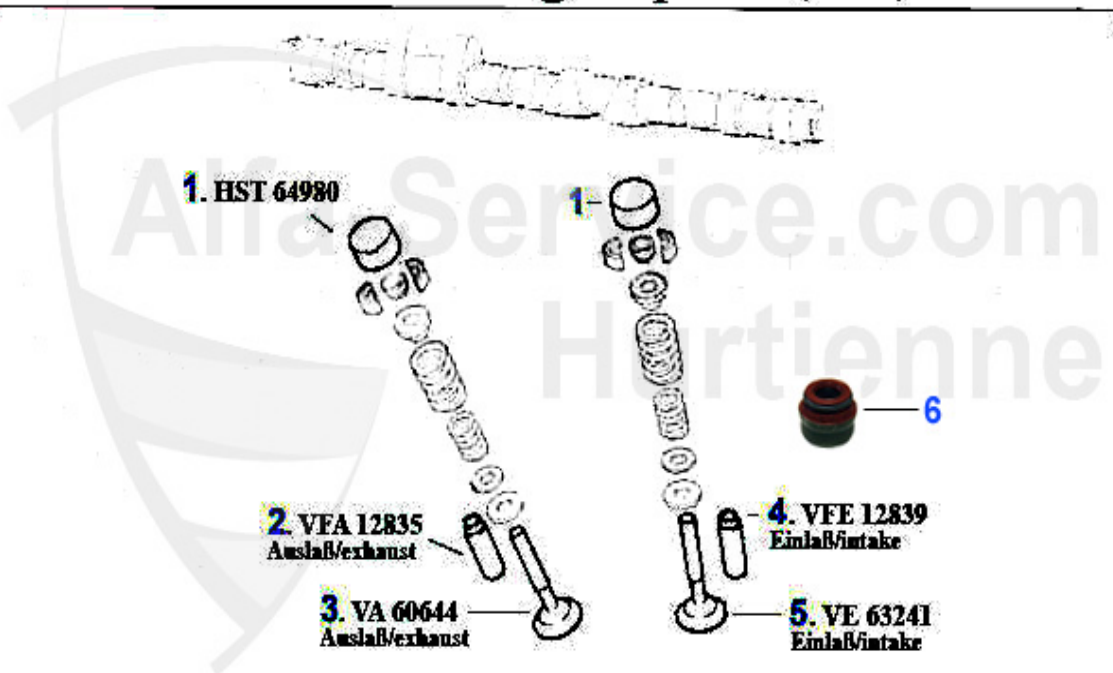
1	03 137 0 0	WEDGE FOR CAMSHAFTS	5.50 EUR
2	ZR94411	OE. 60500466 TIMINGBELT V6 12V 1992>	29.50 EUR
3	SR60588421	OE. 60588421 BELT TENSIONER MECHANIC.	149.00 EUR

Nockenwelle/Camshaft gtv/spider (916) 3.0/3.2 V6 24V



1	NKW97879 Nockenwelle rechts (Auslaß) 166,gtv (916) > Mot #5627	222.61 EUR
2	NKW27664 Nockenwelle rechts (Auslaß) 156,166 2.5 V6 24V,gtv/spider (916) Bj. 98> 3.0 V6 24V,Nouvo GT 3.2	416.74 EUR
3	NKW68568 Nockenwelle rechts (Einlaß) 164 Sup er,166,gtv (916) > Mot #5627	379.61 EUR
4	NKW27667 Nockenwelle rechts (Einlaß) 156,166 2.5 V6 24V,gtv/spider (916) 3.0 V6 24V	253.59 EUR
5	NKW71184 OE. 60671184 Camshaft R Intake 3.2 V6 24V	630.70 EUR
6	NKW68569 Nockenwelle links (Einlaß) 164 Supe r,166,gtv (916) > Mot #5627	234.92 EUR
7	NKW27668 Nockenwelle links (Einlaß) 156,166 2.5 V6 24V,gtv/spider (916) Bj. 98> 3.0 V6 24V	253.59 EUR
8	NKW71187 OE. 60671187 Camshaft R Intake 3.2 V6 24V	630.70 EUR
9	NKW59317 Nockenwelle links (Aulaß) 164 Super ,166,gtv (916) > Mot #5627	305.00 EUR
10	NKW27666 Nockenwelle links (Auslaß) 156,166 2.5 V6 24V,gtv/spider (916) Bj. 98> 3.0 V 24V,Nuovo GT 3.2	416.74 EUR

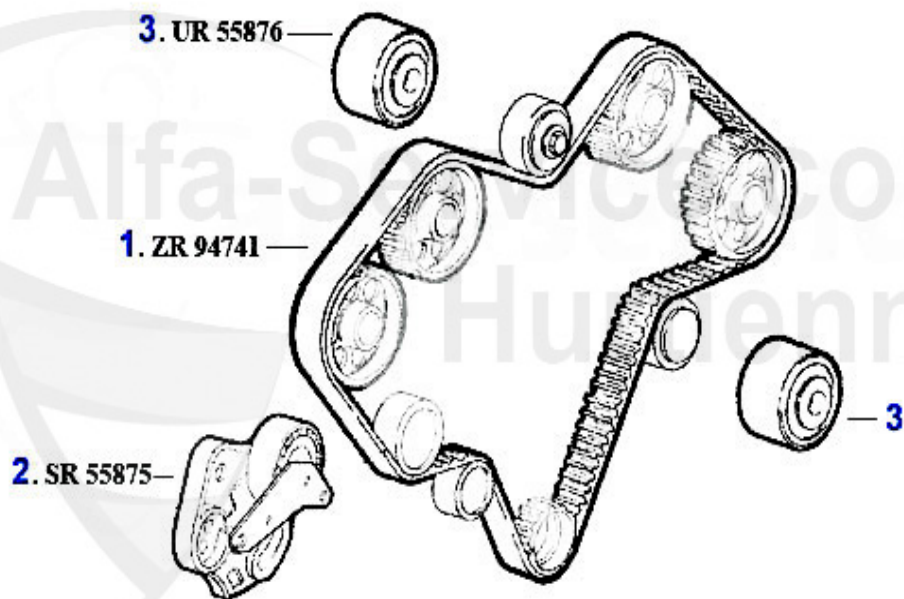
## Ventiltrieb/Valve Train gtv/spider (916) V6 24V



1	HST64980	VALVE TAPPET 33(907), 1.7 16V AR156 2.5 24V	31.50 EUR
2	VFA12835	Ventilführung Auslaß 147,156,164/ Super,gtv/spider (916),Nuovo GT V6 24V	32.50 EUR
3	VA60644	Exhaust Valve 3.0 V6 24V/3.2 GTA 147, 156	29.50 EUR
4	VFE12839	Ventilführung Einlaß 147,156,164/ Super,gtv/spider (916),Nuovo GT V6 24V	32.50 EUR
5	VE63241	VALVE INTAKE 6-CYLINDER 116 3.0 L	29.00 EUR
6	VSD3357	VALVE STEM SEAL 2.5 V6/3.0 V6/3.2 V6/ 147,156,164,166,GTV,Spider,Nuovo GT,33	3.90 EUR

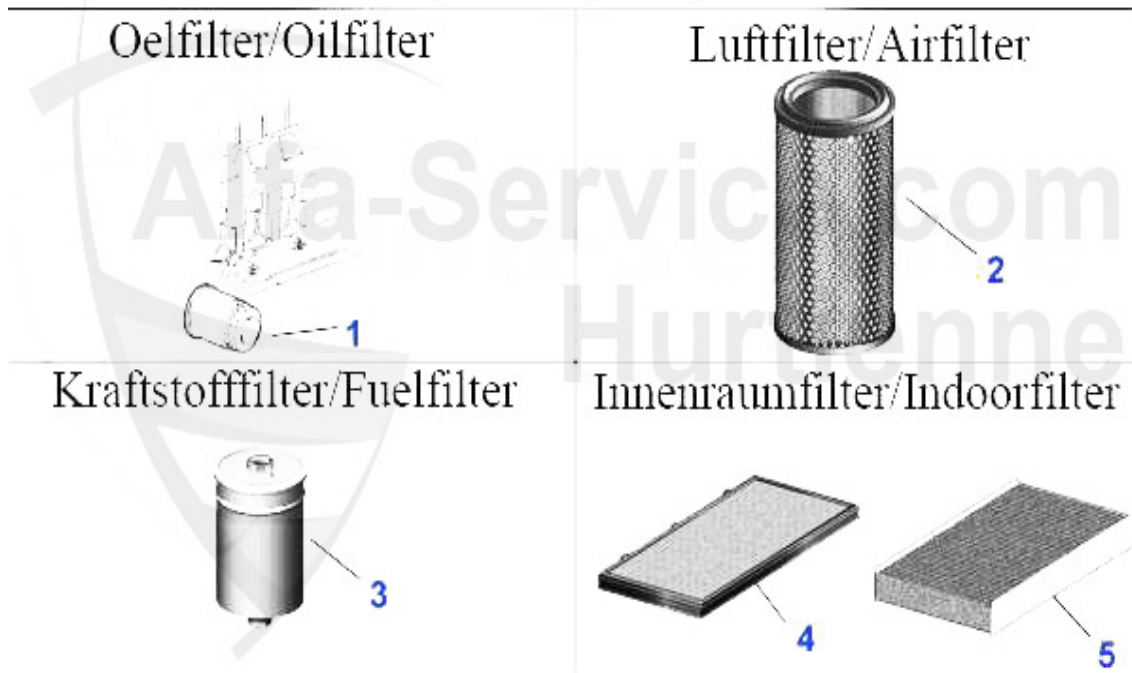


## Zahnriemen/Timing Belt gtv/spider (916) V6 24V



1	ZR94741	TIMING BELT 185H9.5P280 147,156,166,GTV/ SPIDER (916),Nuovo GT V6 24V (HIGH TEMPERATURE VERSION)	89.00 EUR
2	SR55875	OE. 55196536 BELTSTRETCHER	149.00 EUR
3	UR55876	IDLER PULLEY FOR DRIVE BELT 147,156,166, GTV/SPIDER (916) V6 24V	79.00 EUR

## Filter gtv/spider (916) 1.8/2.0 TS



1	OF519	OE. 46808398/71736159 OILFILTER	8.90 EUR
1	OF352	OE.46808398 OIL FILTER GTV/SPIDER (916) TS, SPIN ON TYPE VERSION	7.18 EUR
2	LF93	OE. 60811342 AIR FILTER	26.50 EUR
3	KF86	OE.60506968 FUEL FILTER 75, 164 SUPER, GTV/SPIDER (916) SCREW ON TYPE	25.89 EUR
4	IF309	OE.60810570 INDOOR FILTER 145/6/155 >96 GTV Spider(916) >98, SQUARE	26.91 EUR
5	IF314	OE.60812197 CABIN FILTER 145/6/155 96> GTV/SPIDER (916) 98> SQUARE	26.91 EUR

## Filter gtv/spider (916) 2.0 JTS

Oelfilter/Oilfilter

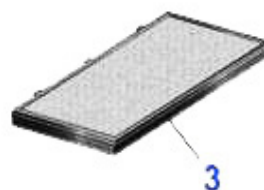


Luftfilter/Airfilter



Kraftstofffilter/Fuelfilter

Innenraumfilter/Indoorfilter

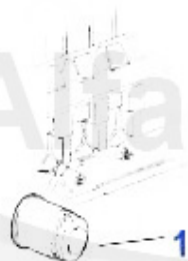


<b>1</b>	<b>OF519</b>	<b>OE. 46808398/71736159 OILFILTER</b>	<b>8.90 EUR</b>
<b>2</b>	<b>LF93</b>	<b>OE. 60811342 AIR FILTER</b>	<b>26.50 EUR</b>
<b>3</b>	<b>IF309</b>	<b>OE.60810570 INDOOR FILTER 145/6/155 &gt;96 GTV Spider(916) &gt;98, SQUARE</b>	<b>26.91 EUR</b>

## Filter gtv/spider (916) 2.0 V6 Turbo

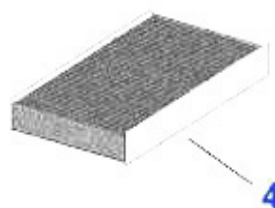
Oelfilter/Oilfilter

Luftfilter/Airfilter



Kraftstofffilter/Fuelfilter

Innenraumfilter/Indoorfilter



1	OF124	OE. 46805830 OILFILTER	9.13 EUR
2	LF280	AIR FILTER 155 TS/ TD/V6/Q4/GTV/SPIDER(916)2.0 V6 TURBO,SQUARE	13.34 EUR
3	KF86	OE.60506968 FUEL FILTER 75, 164 SUPER, GTV/SPIDER (916) SCREW ON TYPE	25.89 EUR
4	IF314	OE.60812197 CABIN FILTER 145/6/155 96> GTV/SPIDER (916) 98> SQUARE	26.91 EUR

## Filter gtv/spider (916) 3.0 V6

Oelfilter/Oilfilter



Luftfilter/Airfilter



Kraftstofffilter/Fuelfilter

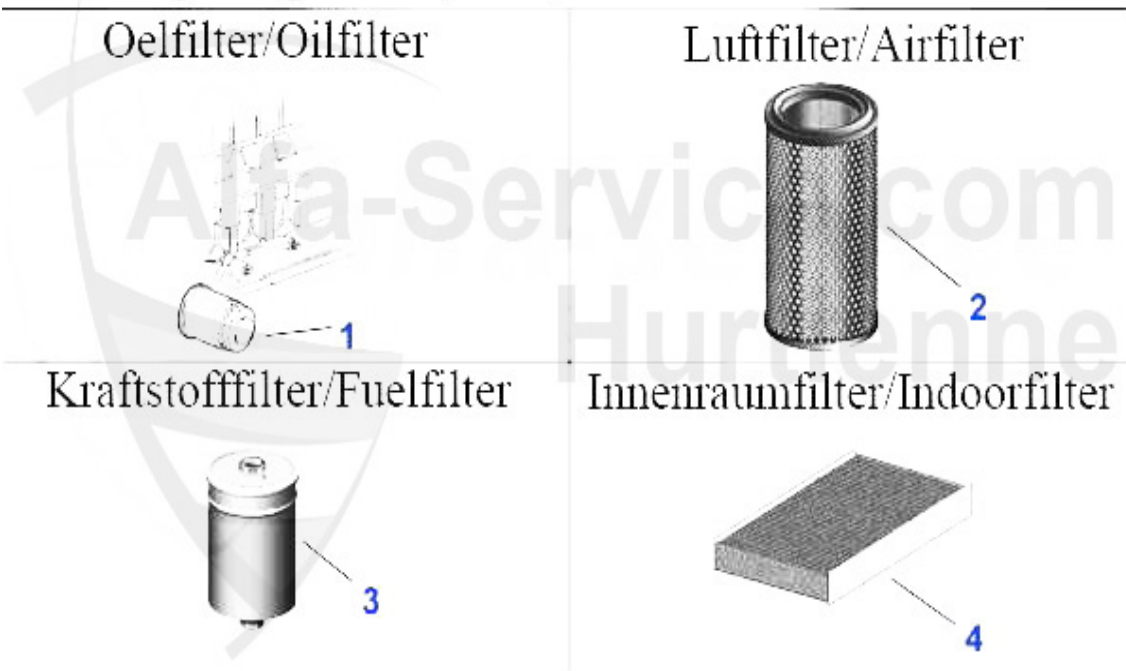


Innenraumfilter/Indoorfilter



1	OF124	OE. 46805830 OILFILTER	9.13 EUR
2	LF93	OE. 60811342 AIR FILTER	26.50 EUR
3	KF86	OE.60506968 FUEL FILTER 75, 164 SUPER, GTV/SPIDER (916) SCREW ON TYPE	25.89 EUR
4	IF314	OE.60812197 CABIN FILTER 145/6/155 96> GTV/SPIDER (916) 98> SQUARE	26.91 EUR

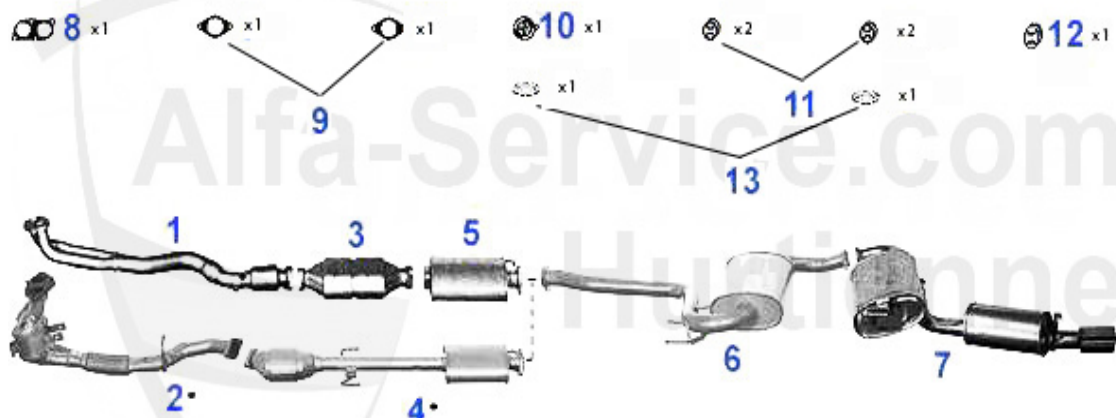
## Filter gtv/spider (916) 3.0/3.2 V6 24V/GTA



1	OF124	OE. 46805830 OILFILTER	9.13 EUR
2	LF350	Luftfilter gtv/spider (916) V6 24V	36.14 EUR
3	KF86	OE.60506968 FUEL FILTER 75, 164 SUPER, GTV/SPIDER (916) SCREW ON TYPE	25.89 EUR
4	IF314	OE.60812197 CABIN FILTER 145/6/155 96> GTV/SPIDER (916) 98> SQUARE	26.91 EUR

GTV/Spider (916) > EXHAUST SYSTEM > EXHAUST SYSTEM > 1.8/2.0 TS

Abgasanlage/Exhaust System gtv/spider (916) 1.8/2.0 TS



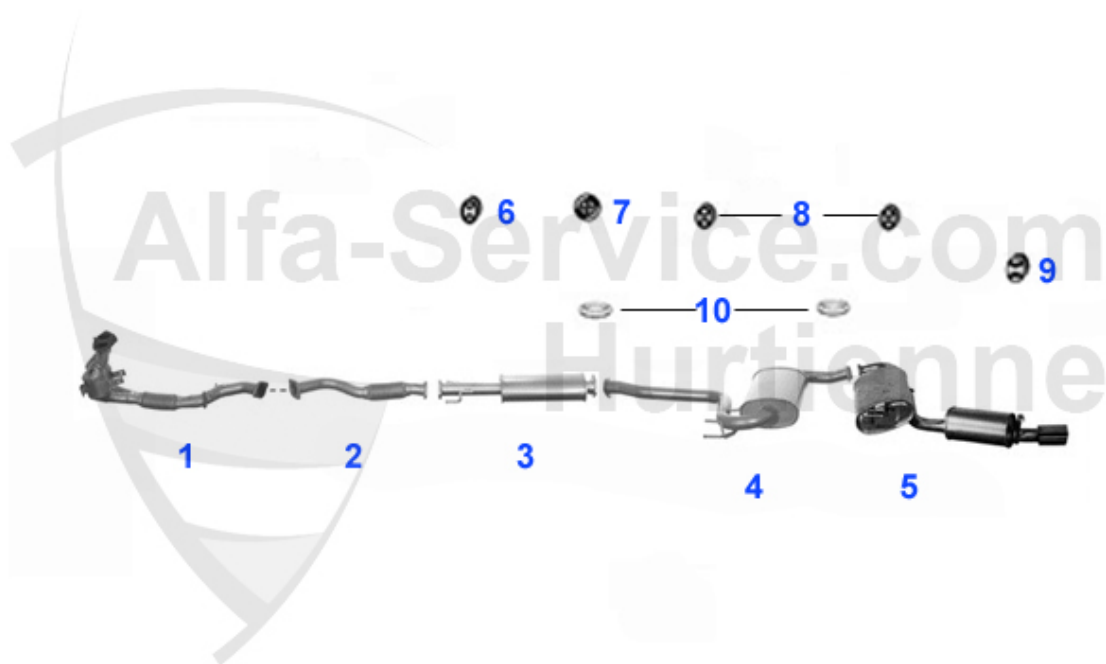
SPIDER / GTV 16V TWIN SPARK 1.8i/2.0i

• 2.0 (EURO 3) (02/02-)

'95-

1	VSD102101 FRONT MUFFLER SPIDER/GTV (916) 1.8 & 2.0 TS 95> 145/6,155 2.0 16V TS 95-96	188.14 EUR
2	KAT74780 OE. 60674780 EXHAUST PIPE CATALIZED gtv/spider (916) 2.0 TS > #7014390 VERSION: "MARELLI/DESCAMP"	***
2	KAT78256 OE. 60678256 EXHAUST PIPE CATALIZED gtv/spider (916) 2.0 TS CF3 > #7014390 VERSION: "ZEUNA"	***
3	KAT113133 CATALYST SPIDER/GTV (916) 1.8 & 2.0 TS 95>,155 2.0 ie TS (CAT AND CENTRE 2 PIECES)	689.00 EUR
4	KAT67547 OE.60667547 SILENCER CATALIZED gtv/spider (916) 2.0 TS CF3	660.91 EUR
5	MSD102103 MIDDLE SILENCER GTV/SPIDER (916) 1.8/2.0 TS	118.00 EUR
6	MSD102106 MIDDLE SILENCER GTV/SPIDER 95>	169.00 EUR
7	NSD102109 REAR SILENCER GTV/SPIDER (916) 95 >	215.00 EUR
8	SAT094474 Dichtung VSD spider/gtv (916) 145/6,155,156 2.0 TS 16V	10.77 EUR
9	SAT094487 CATALYST GASKET SPIDER/GTV (916)	5.08 EUR
10	SAT091012 OE 60503033, RUBBER/EXHAUST MOUNTING DIVERSE TYPES	4.00 EUR
11	SAT091143 SILENT BLOC MUFFLER SUSPENSION SPIDER/ GTV (916),156,166,147 1.9JTD 8/16V	3.53 EUR
12	SAT091014 SILENT BLOC REAR SILENCER SUSPENSION SPIDER/GTV (916), 155 (92-96)	4.11 EUR
13	SAT094003 MUFFLER RING FOR VARIOUS MODELS	10.50 EUR
13	SAT22352 Anschlagpuffer für Mittel- topf Alfa 916 alle Modelle AR155 Turbo (92-96)	3.50 EUR

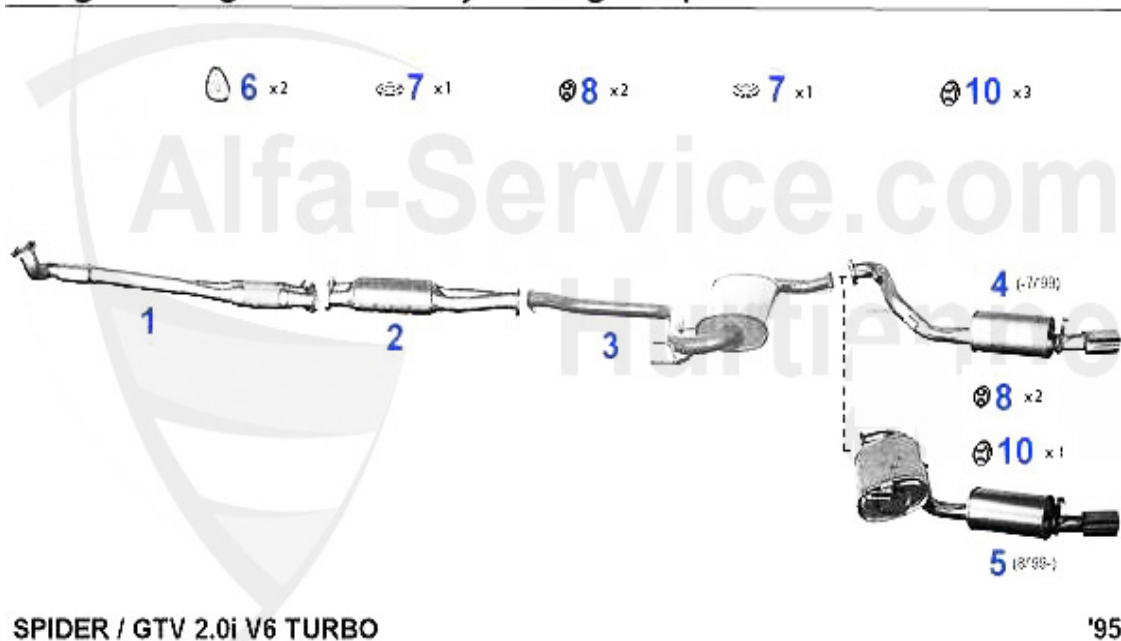
GTV/Spider (916) > EXHAUST SYSTEM > EXHAUST SYSTEM > 2.0 JTS



1	KAT84599 OE. 55184589 EXHAUST PIPE CATALIZED gtv/spider (916) 2.0 JTS	2124.15 EUR
2	VR116545 FRONT MUFFLER 156/GTV/SPIDER (916)/NUOVO GT 2.0 JTS	184.65 EUR
3	KAT83428 OE. 55183428 SILENCER CATALIZED gtv/spider (916) 2.0 JTS	***
4	MSD83429 OE. 55183429 MIDDLE SILENCER gtv/spider (916) 2.0 JTS	261.60 EUR
5	NSD83431 OE. 55183431 REAR SILENCER gtv/spider (916) 2.0 JTS	399.05 EUR
6	SAT091140 Gummi/Auspuffaufhängung 145/6 ESD 16V TS,155 2.0 16V TS	4.19 EUR
7	SAT091012 OE 60503033, RUBBER/EXHAUST MOUNTING DIVERSE TYPES	4.00 EUR
8	SAT22352 Anschlagpuffer für Mittel- topf Alfa 916 alle Modelle AR155 Turbo (92-96)	3.50 EUR
8	SAT091143 SILENT BLOC MUFFLER SUSPENSION SPIDER/ GTV (916),156,166,147 1.9JTD 8/16V	3.53 EUR
9	SAT091014 SILENT BLOC REAR SILENCER SUSPENSION SPIDER/GTV (916), 155 (92-96)	4.11 EUR
10	SAT094003 MUFFLER RING FOR VARIOUS MODELS	10.50 EUR

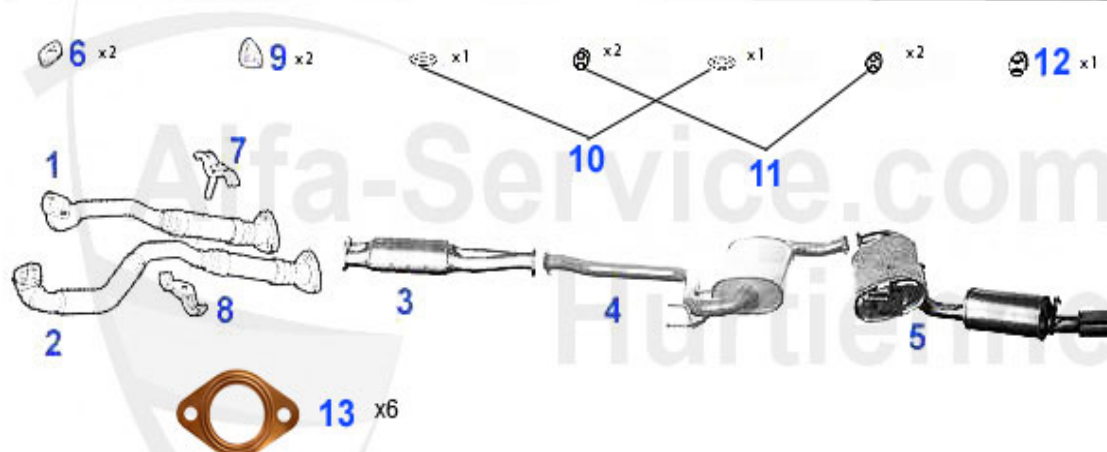


Abgasanlage/Exhaust System gtv/spider (916) 2.0 V6 Turbo



1	VR654442	OE. 60654442 EXHAUST PIPE CATALIZED gtv/spider (916) 2.0 V6 TURBO 1995-98	***
1	VR656242	OE.60656242 EXHAUST PIPE CATALIZED gtv/spider (916) 2.0 V6 TURBO	696.55 EUR
2	KAT56116	OE. 60656116 SILENCER CATALIZED gtv/spider (916) 2.0 V6 TURBO 1998>	***
2	KAT53561	OE. 60653561 SILENCER CATALIZED gtv/spider V6 12/24V CF3	1277.20 EUR
2	KAT102233	OE. 60583950 KATALYSATOR gtv/spider (916) V6 3.0 12/24V CF2, 2.0 V6 Turbo CF2 >1998	***
3	MSD102106	MIDDLE SILENCER GTV/SPIDER 95>	169.00 EUR
4	NSD102207	Endtopf gtv/spider (916) 2.0 turbo Bj. 95-07.99	230.82 EUR
5	NSD102109	REAR SILENCER GTV/SPIDER (916) 95 >	215.00 EUR
6	SAT573540	FRONT PIPE/CAT GASKET 164 SUPER,GTV/ SPIDER (916) 3.0 V6	5.13 EUR
7	SAT094003	MUFFLER RING FOR VARIOUS MODELS	10.50 EUR
8	SAT091143	SILENT BLOC MUFFLER SUSPENSION SPIDER/ GTV (916),156,166,147 1.9JTD 8/16V	3.53 EUR
8	SAT22352	Anschlagpuffer für Mittel- topf Alfa 916 alle Modelle AR155 Turbo (92-96)	3.50 EUR
10	SAT091014	SILENT BLOC REAR SILENCER SUSPENSION SPIDER/GTV (916), 155 (92-96)	4.11 EUR

Abgasanlage/Exhaust System gtv/spider (916) 3.0 V6 12V

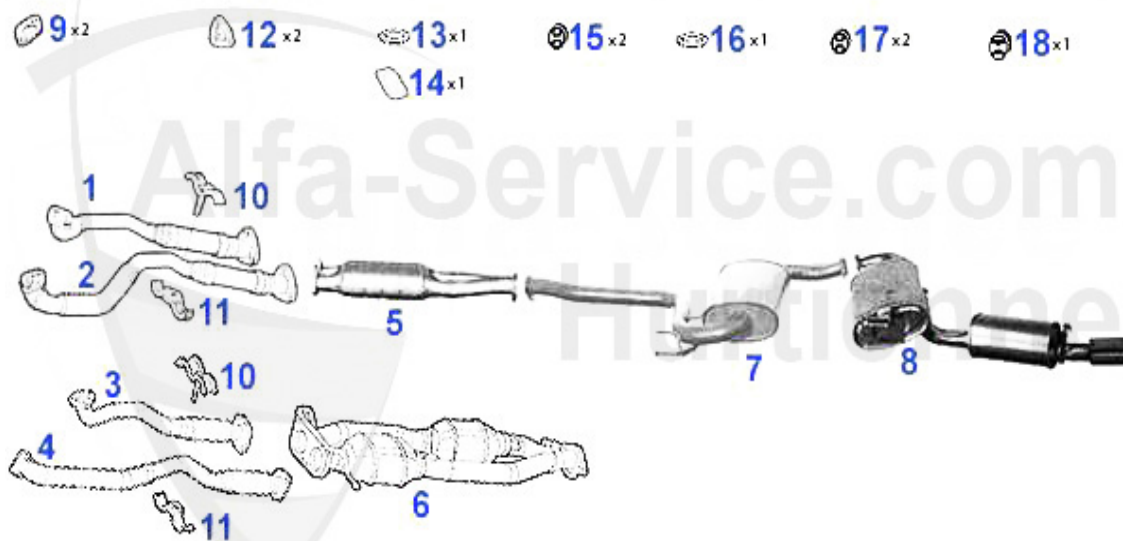


SPIDER 3.0i V6 12V / GTV 3.0i

'95-

1	VR656461	OE. 60656461	EXHAUST PIPE gtv/spider (916) 3.0 V6 RIGHT	***
2	VR656464	OE. 60656464	EXHAUST PIPE gtv/spider (916) 3.0 V6 LEFT	***
3	KAT102233	OE. 60583950	KATALYSATOR gtv/spider (916) V6 3.0 12/24V CF2, 2.0 V6 Turbo CF2 >1998	***
3	KAT53561	OE. 60653561	SILENCER CATALIZED gtv/spider V6 12/24V CF3	1277.20 EUR
4	MSD102106		MIDDLE SILENCER GTV/SPIDER 95>	169.00 EUR
5	NSD102109		REAR SILENCER GTV/SPIDER (916) 95 >	215.00 EUR
6	SAT094414		GASKET FRONT MUFFLER 164/SUPER,RZ/SZ, GTV/SPIDER (916) 3.0 V6	4.94 EUR
7	SAT809014		Oberteil f. Klemmhalter Vorderrohr 164 Super,gtv/spider (916) 3.0 V6	***
8	SAT809013		Unterteil f. Klemmhalter Vorderrohr 164 Super,gtv/spider (916) 3.0 V6	***
9	SAT573540		FRONT PIPE/CAT GASKET 164 SUPER,GTV/ SPIDER (916) 3.0 V6	5.13 EUR
10	SAT22352		Anschlagpuffer für Mittel- topf Alfa 916 alle Modelle AR155 Turbo (92-96)	3.50 EUR
10	SAT094003		MUFFLER RING FOR VARIOUS MODELS	10.50 EUR
11	SAT091143		SILENT BLOC MUFFLER SUSPENSION SPIDER/ GTV (916),156,166,147 1.9JTD 8/16V	3.53 EUR
12	SAT091014		SILENT BLOC REAR SILENCER SUSPENSION SPIDER/GTV (916), 155 (92-96)	4.11 EUR
13	AGKD06636	OE. 60506636	GASKET	5.00 EUR

Abgasanlage/Exhaust System gtv/spider (916) 3.0 V6 24V

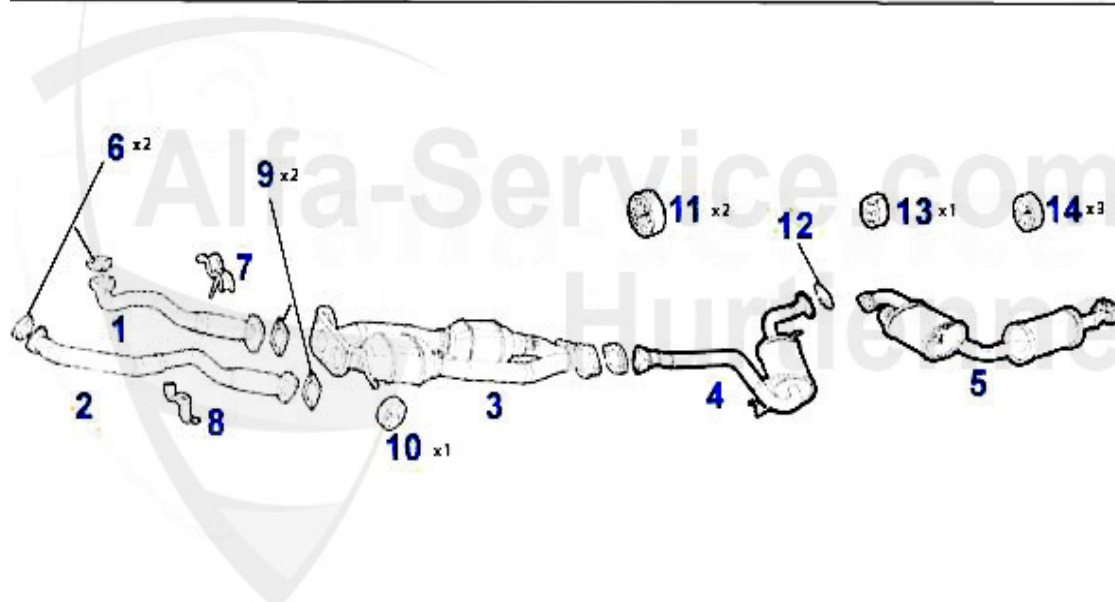


gtv/spider (916) 3.0 V6 24V

'95-

1	VR620490	OE. 60620490 EXHAUST PIPE gtv (916) 3.0 V6 24V 1995-98	428.40 EUR
1	VR656119	OE. 60656119 EXHAUST PIPE gtv (916) 3.0 V6 24V 1998>	320.00 EUR
2	VR658028	OE. 60658028 EXHAUST PIPE gtv (916) V6 24V	416.50 EUR
3	VR69658	OE. 60669658 EXHAUST PIPE FR 147 GTA	265.70 EUR
4	VR69659	OE. 60669659 EXHAUST PIPE FL 147 GTA	327.25 EUR
5	KAT102233	OE. 60583950 KATALYSATOR gtv/spider (916) V6 3.0 12/24V CF2, 2.0 V6 Turbo CF2 >1998	***
6	KAT70380	OE. 60670380 KATALYSATOR gtv/spider (916) 3.0/3.2 V6 24V CF3	1064.85 EUR
7	MSD102106	MIDDLE SILENCER GTV/SPIDER 95>	169.00 EUR
8	NSD102109	REAR SILENCER GTV/SPIDER (916) 95 >	215.00 EUR
9	SAT54239	GASKET 156,164 SUPER,166,GTV/SPIDER (916) V6 24V (OE 60654239)	10.14 EUR
10	SAT809014	Oberteil f. Klemmhalter Vorderrohr 164 Super,gtv/spider (916) 3.0 V6	***
11	SAT809013	Unterteil f. Klemmhalter Vorderrohr 164 Super,gtv/spider (916) 3.0 V6	***
12	SAT573540	FRONT PIPE/CAT GASKET 164 SUPER,GTV/ SPIDER (916) 3.0 V6	5.13 EUR
13	SAT094003	MUFFLER RING FOR VARIOUS MODELS	10.50 EUR
14	SAT094484	Dichtung VSD/Kat Diverse	9.75 EUR
15	SAT091143	SILENT BLOC MUFFLER SUSPENSION SPIDER/ GTV (916),156,166,147 1.9JTD 8/16V	3.53 EUR
16	SAT091014	SILENT BLOC REAR SILENCER SUSPENSION SPIDER/GTV (916), 155 (92-96)	4.11 EUR
16	SAT22352	Anschlagpuffer für Mittel- topf Alfa 916 alle Modelle AR155 Turbo (92-96)	3.50 EUR

Abgasanlage/Exhaust System gtv/spider (916) 3.2 V6 24V/GTA

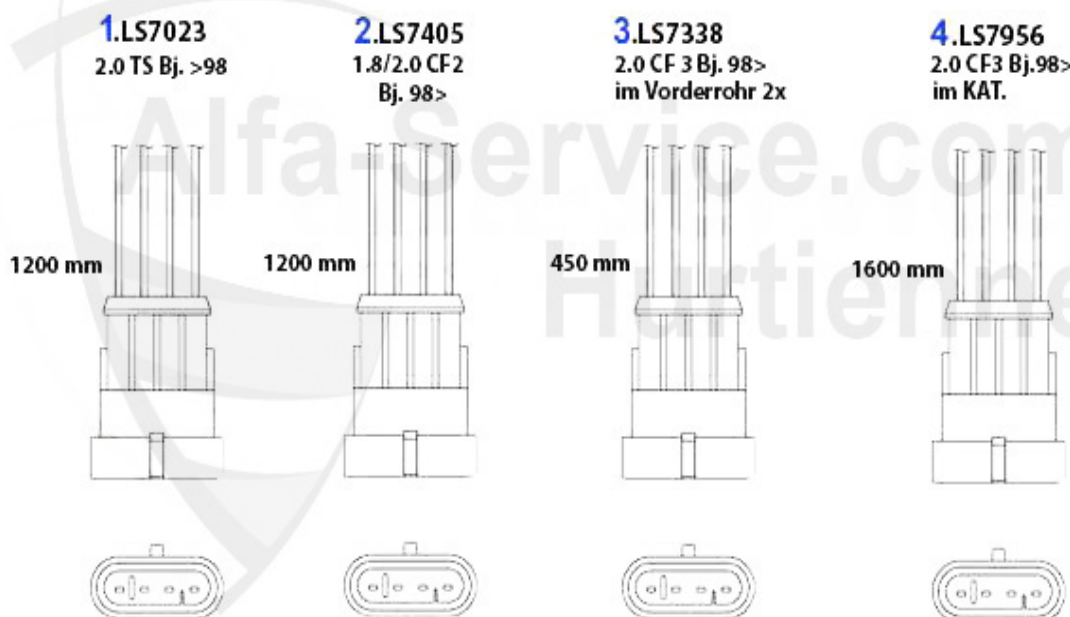


gtv/spider (916) 3.2/GTA

'03-

1	VR69658	OE. 60669658 EXHAUST PIPE FR 147 GTA	265.70 EUR
2	VR69659	OE. 60669659 EXHAUST PIPE FL 147 GTA	327.25 EUR
3	SAT22352	Anschlagpuffer für Mittel- topf Alfa 916 alle Modelle AR155 Turbo (92-96)	3.50 EUR
3	KAT70380	OE. 60670380 KATALYSATOR gtv/spider (916) 3.0/3.2 V6 24V CF3	1064.85 EUR
4	MSD84807	OE. 55184807 MIDDLE SILENCER gtv/spider (916) 3.2 V6 24V	***
5	NSD84808	OE. 55184808 REAR SILENCER gtv/spider (916) 3.2 V6 24V	***
6	SAT54239	GASKET 156,164 SUPER,166,GTV/SPIDER (916) V6 24V (OE 60654239)	10.14 EUR
7	SAT809014	Oberteil f. Klemmhalter Vorderrohr 164 Super,gtv/spider (916) 3.0 V6	***
8	SAT809013	Unterteil f. Klemmhalter Vorderrohr 164 Super,gtv/spider (916) 3.0 V6	***
9	SAT573540	FRONT PIPE/CAT GASKET 164 SUPER,GTV/ SPIDER (916) 3.0 V6	5.13 EUR
10	SAT091012	OE 60503033, RUBBER/EXHAUST MOUNTING DIVERSE TYPES	4.00 EUR
11	SAT091031	RUBBER EXHAUST	4.00 EUR
12	SAT094484	Dichtung VSD/Kat Diverse	9.75 EUR
13	SAT091014	SILENT BLOC REAR SILENCER SUSPENSION SPIDER/GTV (916), 155 (92-96)	4.11 EUR
14	SAT091143	SILENT BLOC MUFFLER SUSPENSION SPIDER/ GTV (916),156,166,147 1.9JTD 8/16V	3.53 EUR

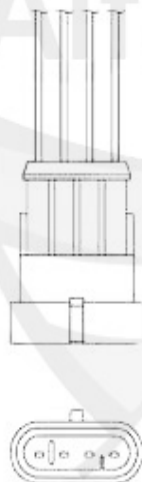
Lambda-Sonde/Lambda Probe gtv/spider (916) 1.8/2.0 TS



1	LS7023	Lambda-Sonde 145/6 2.0 16V TS bj. 11.96>,156 1.6 16V TS ># 0023373, 164 Super 2.0 TS/3.0 V6/24V bj. 10.96>,Spider/gtv (916) 2.0 TS/3.0 V6/24V	78.99 EUR
2	LS7405	LAMBDA PROBE 145/6 1.4/1.6/1.8/16V TS/2.0 QV,156 1.6 16V TS #0023373> 156 1.8/2.0/16V TS/2.5 V6 24V,166 6-CYL.,SPIDER/GTV (916) 1.8/ FOUR-CORE CABLE	127.00 EUR
3	LS7956	Lambda-Sonde gtv/spider (916) 2.0 16V TS bj. 08.00>,4-adrig	165.41 EUR

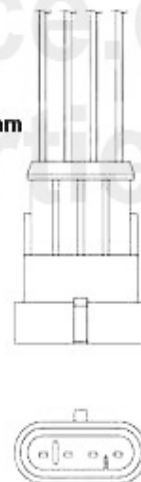
## Lambda-Sonde/Lambda Probe gtv/spider (916) 2.0 JTS

1.LS811311  
im Vorderrohr 2x



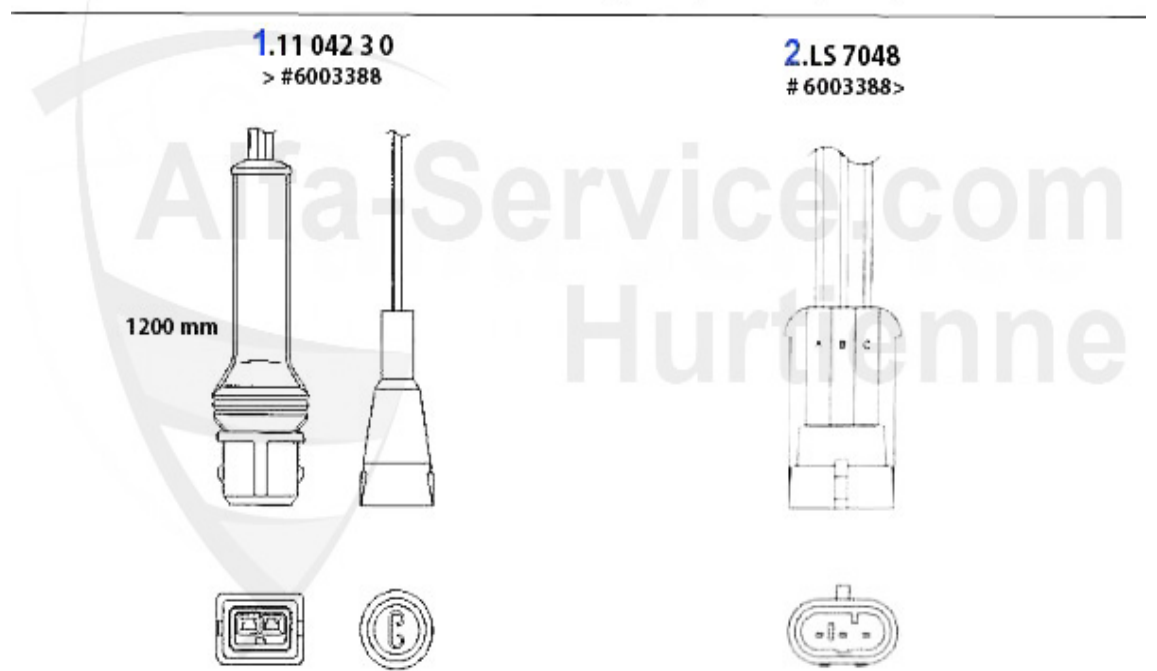
2.LS7212  
im KAT.

650 mm



1	LS811311	OE. 46811311 LAMBDA PROBE 156, 166, gtv/spider (916), Nuovo GT 2.0 TS CF3/ JTS >05.2005	149.00 EUR
2	LS7212	Lambda-Sonde 147 1.6 16V TS,156 2.0 JTS/2.5 V,166 2.0 TS,gtv/spider (916) 3.0 V6 24V,4-adrig	66.00 EUR

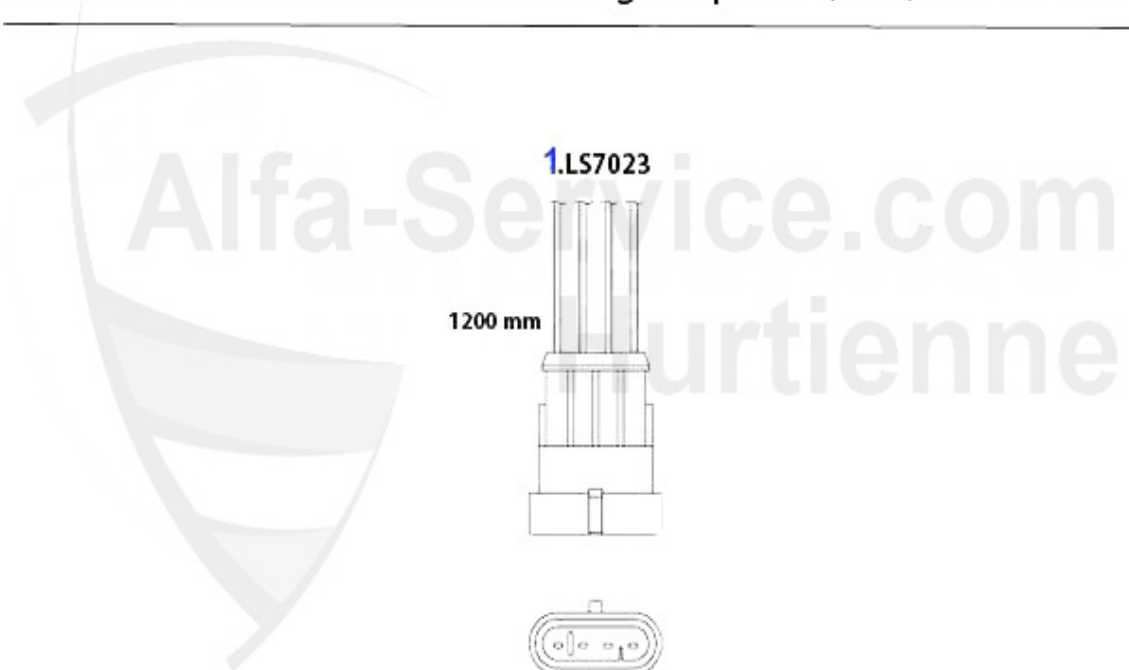
Lambda-Sonde/Lambda Probe gtv/spider (916) 2.0 V6 Turbo



1	11 042 3 0	OE. 7654221 LAMBDA-PROBE	95.00 EUR
2	LS7048	Lambda-Sonde gtv/spider (916) 2.0 V6 turbo, 3-adrig	128.23 EUR

Lambda-Sonde/Lambda Probe gtv/spider (916) 3.0V6 12V

---



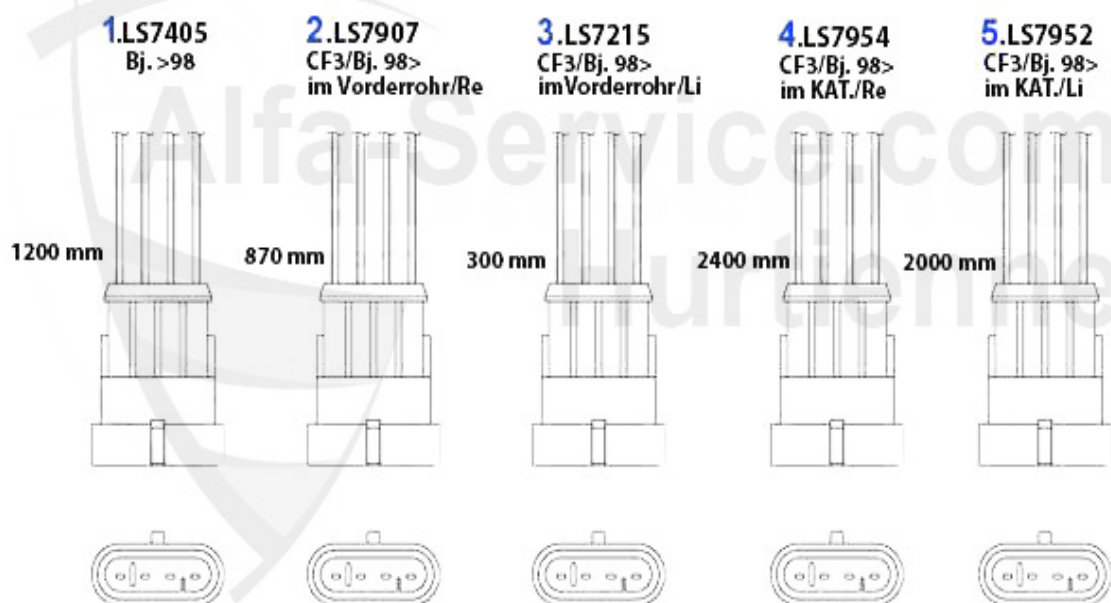
---

1	LS7023	Lambda-Sonde 145/6 2.0 16V TS bj. 11.96>,156 1.6 16V TS ># 0023373, 164 Super 2.0 TS/3.0 V6/24V bj. 10.96>,Spider/gtv (916) 2.0 TS/3.0 V6/24V
---	--------	--

78.99 EUR

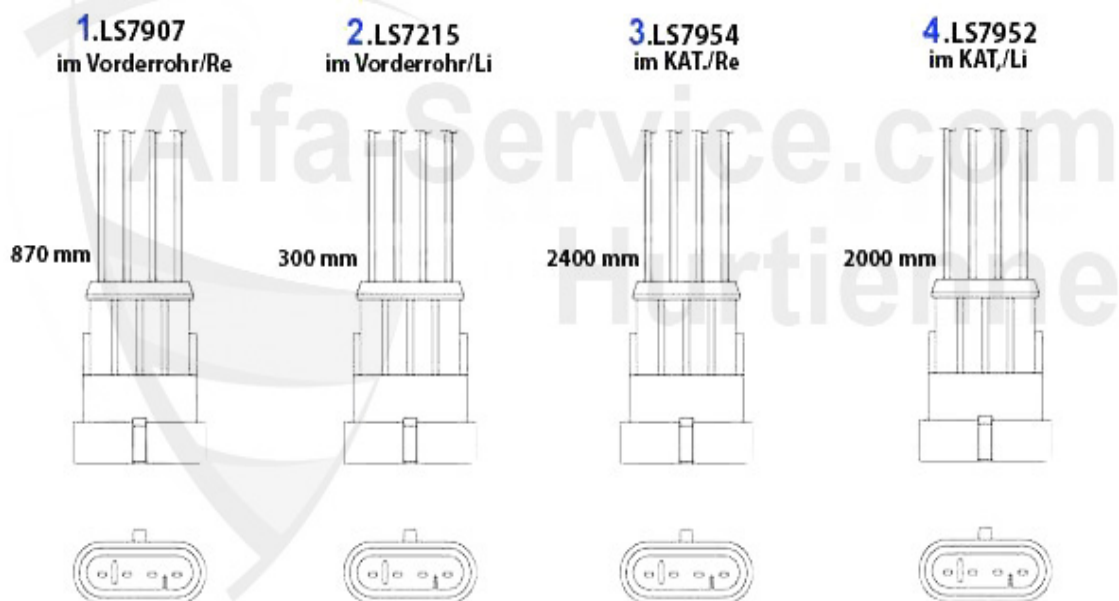


Lambda-Sonde/Lambda Probe gtv/spider (916) 3.0V6 24V



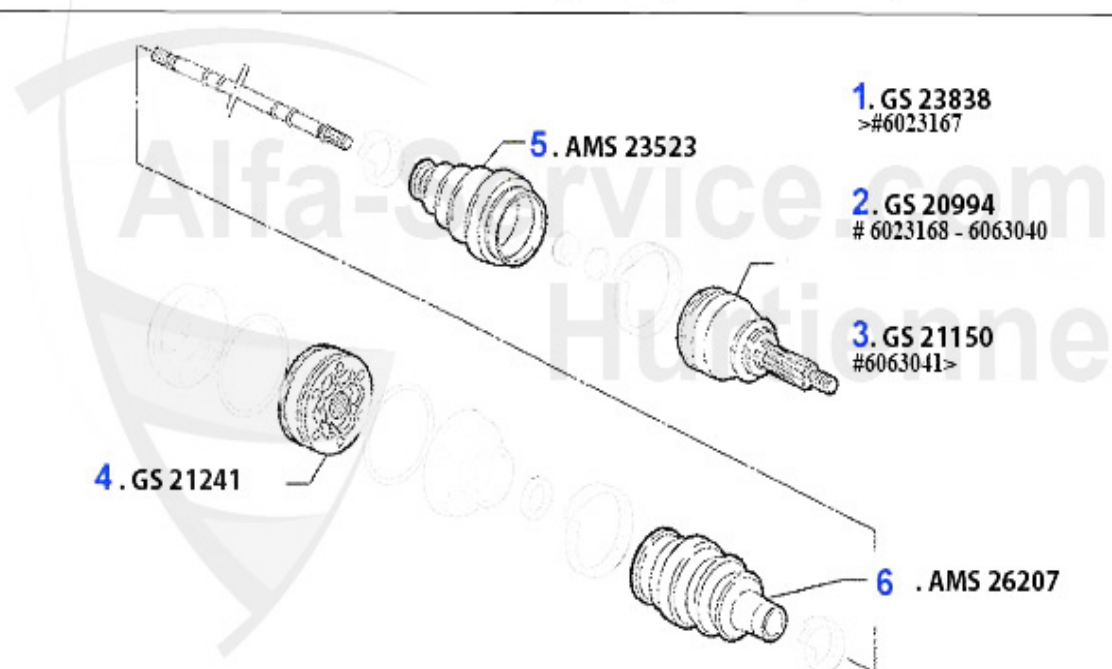
1	LS7405	LAMBDA PROBE 145/6 1.4/1.6/1.8/16V TS/2.0 QV,156 1.6 16V TS #0023373> 156 1.8/2.0/16V TS/2.5 V6 24V,166 6-CYL.,SPIDER/GTV (916) 1.8/ FOUR-CORE CABLE	127.00 EUR
2	LS7907	Lambda-Sonde 147 GTA,156 2.5 V6 24V bj. 10.00>/3.2 GTA,gtv/spider (916) 3.2 V6 24V,GT Nuovo 3.2 V6 24V 4-adrig	108.00 EUR
3	LS7215	Lambda-Sonde 147 1.6 16V TS ECO, 3.2 V6 24V GTA 166 2.5/3.0 V6 24 V, spider (916) 3.0 V6 bj. 10.00>,4-adrig	111.82 EUR
4	LS7954	Lambda-Sonde 147 GTA,156 2.5 V6 24V bj. 01.02>/ 3.2 GTA bj.03.02>,166 3.2 V6 24V, gtv/spider (916) 3.2 V6 24V, GT Nuovo 3.2 V6 24V,4-adrig	109.00 EUR
5	LS7952	Lambda-Sonde 147 GTA,156 2.5 V6 24V bj. 01.02>/3.2 GTA,GT Nuovo 3.2 V6 24V,gtv/spider 3.2 V6 24V,4-adrig	99.00 EUR

Lambda-Sonde/Lambda Probe gtv/spider (916) 3.02 V6 24V/GTA



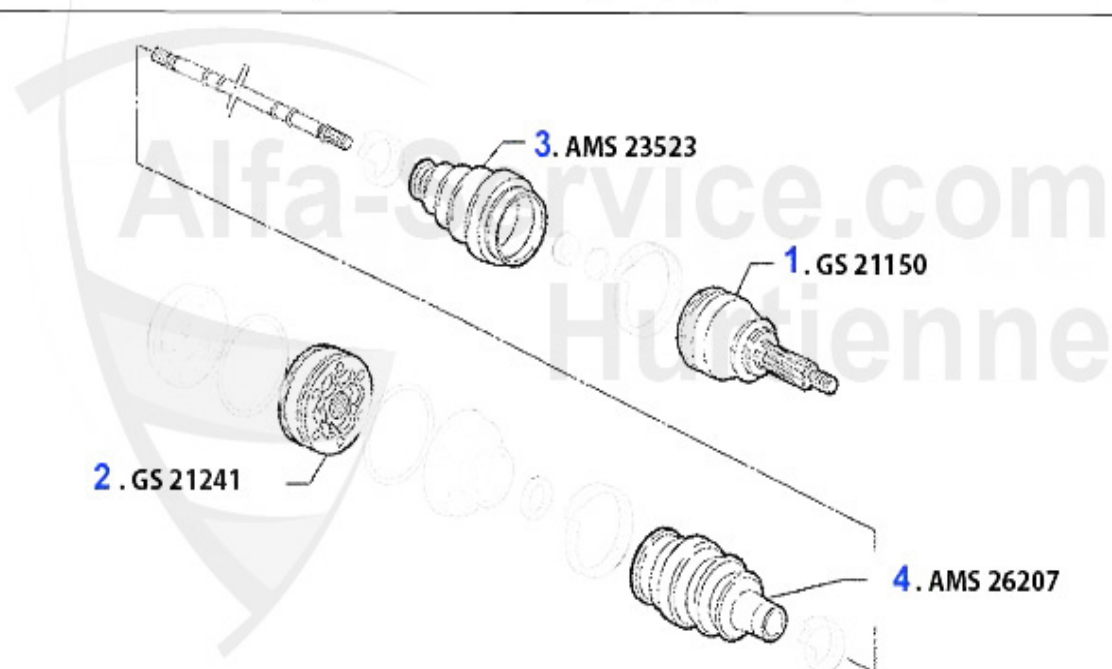
1	LS7907	Lambda-Sonde 147 GTA,156 2.5 V6 24V bj. 10.00>/3.2 GTA,gtv/spider (916) 3.2 V6 24V,GT Nuovo 3.2 V6 24V 4-adrig	108.00 EUR
2	LS7215	Lambda-Sonde 147 1.6 16V TS ECO, 3.2 V6 24V GTA 166 2.5/3.0 V6 24 V, spider (916) 3.0 V6 bj. 10.00>,4-adrig	111.82 EUR
3	LS7954	Lambda-Sonde 147 GTA,156 2.5 V6 24V bj. 01.02>/ 3.2 GTA bj.03.02>,166 3.2 V6 24V, gtv/spider (916) 3.2 V6 24V, GT Nuovo 3.2 V6 24V,4-adrig	109.00 EUR
4	LS7952	Lambda-Sonde 147 GTA,156 2.5 V6 24V bj. 01.02>/3.2 GTA,GT Nuovo 3.2 V6 24V,gtv/spider 3.2 V6 24V,4-adrig	99.00 EUR

## Antriebswelle/Driveshaft gtv/spider (916) 1.8/2.0 TS



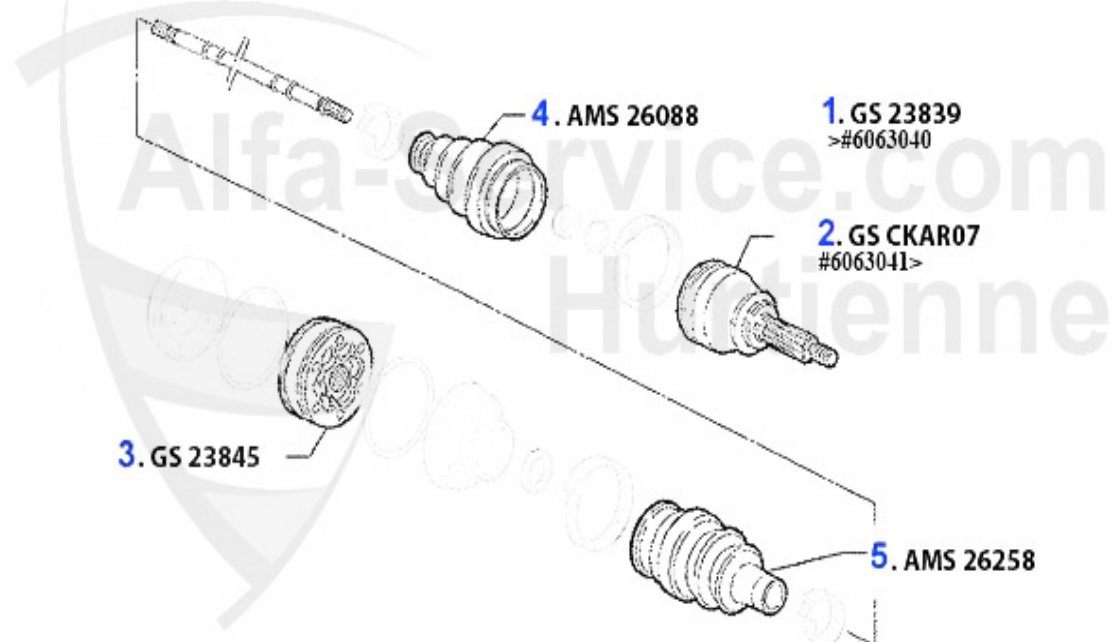
1	GS23838	EXTERIOR HINGE 145/6, 155, GTV/SPIDER (916) 2.0 16V TS WITH ABS	163.11 EUR
2	GS20994	Gelenksatz außen 145/6 TS/TD/JTD Bj. 96> mit ABS,155 2.0 TS 16V mit ABS,gtv/spider (916) TS #6023168 - 6063040	122.08 EUR
3	GS21150	OUTER CV JONT 156/6 TS 16V #3180592>, 147 TS 16V,GTV/SPIDER (916) TS # 6063041>	121.05 EUR
4	GS21241	Inner drive shaft joint gtv/spider (916),155,145/6 TS 16V,156 TS 16V 166 2.0 TS,147 1.6/2.0 TS	111.72 EUR
5	AMS23523	Achsmanschettensatz aussen 33,145/6 155,164 diverse,gtv/spider (916)	22.49 EUR
6	AMS26207	Inner RUBBERBOOT GTV/SPIDER 145, 155, 166	20.90 EUR

## Antriebswelle/Driveshaft gtv/spider (916) 2.0 JTS



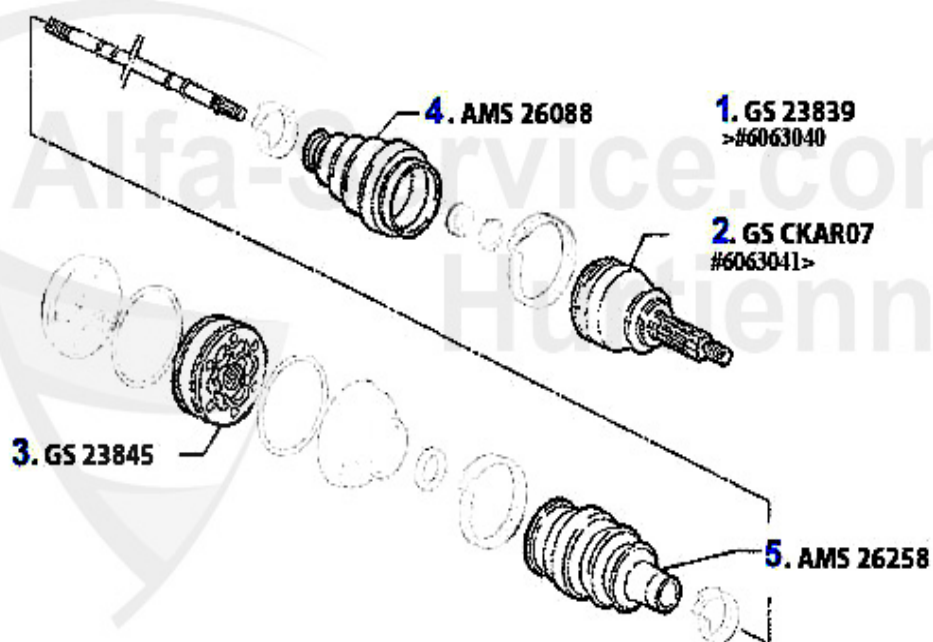
1	GS21150	OUTER CV JONT 156/6 TS 16V #3180592>, 147 TS 16V,GTV/SPIDER (916) TS # 6063041>	121.05 EUR
2	GS21241	Inner drive shaft joint gtv/spider (916),155,145/6 TS 16V,156 TS 16V 166 2.0 TS,147 1.6/2.0 TS	111.72 EUR
3	AMS23523	Achsmanschettensatz aussen 33,145/6 155,164 diverse,gtv/spider (916)	22.49 EUR
4	AMS26207	Inner RUBBERBOOT GTV/SPIDER 145, 155, 166	20.90 EUR

## Antriebswelle/Driveshaft gtv/spider (916) 2.0 V6 Turbo



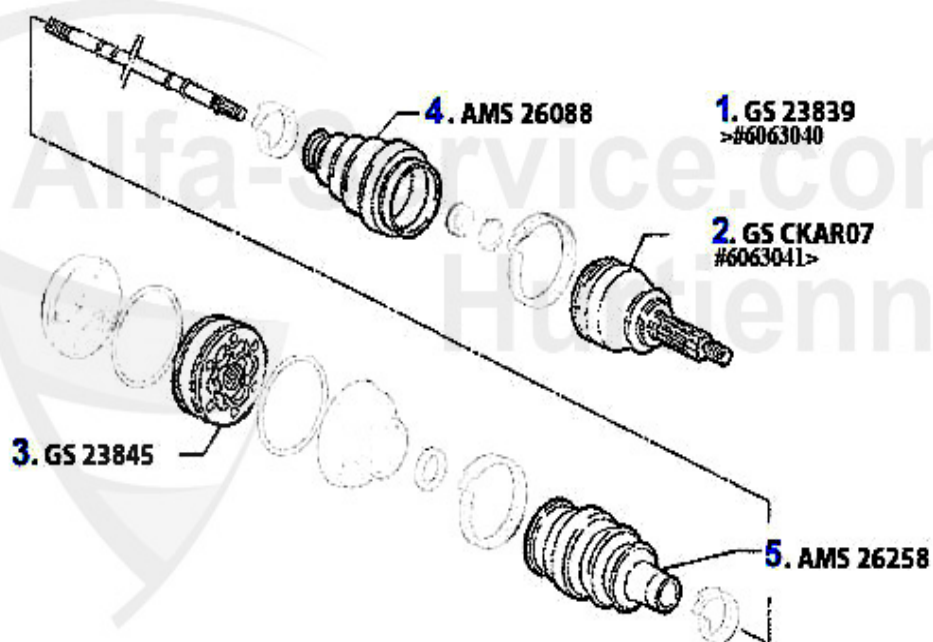
1	GS23839	Gelenksatz außen 155,gtv/spider (916) diverse mit ABS	169.27 EUR
3	GS23845	Gelenksatz innen 155 2.5 TD,gtv/spi der (916) 6-zylinder	***
4	AMS26088	OE. 60556609 Boot Set Wheel Side	15.01 EUR
5	AMS26258	INTERIOR AXLE BOOT 155 2.0TB,2.5TD (107-22mm) SPIDER 916 3.0 V6	14.26 EUR

## Antriebswelle/Driveshaft gtv/spider (916) 3.0 V6 12V



1	GS23839	Gelenksatz außen 155,gtv/spider (916) diverse mit ABS	169.27 EUR
3	GS23845	Gelenksatz innen 155 2.5 TD,gtv/spi der (916) 6-zylinder	***
4	AMS26088	OE. 60556609 Boot Set Wheel Side	15.01 EUR
5	AMS26258	INTERIOR AXLE BOOT 155 2.0TB,2.5TD (107-22mm) SPIDER 916 3.0 V6	14.26 EUR

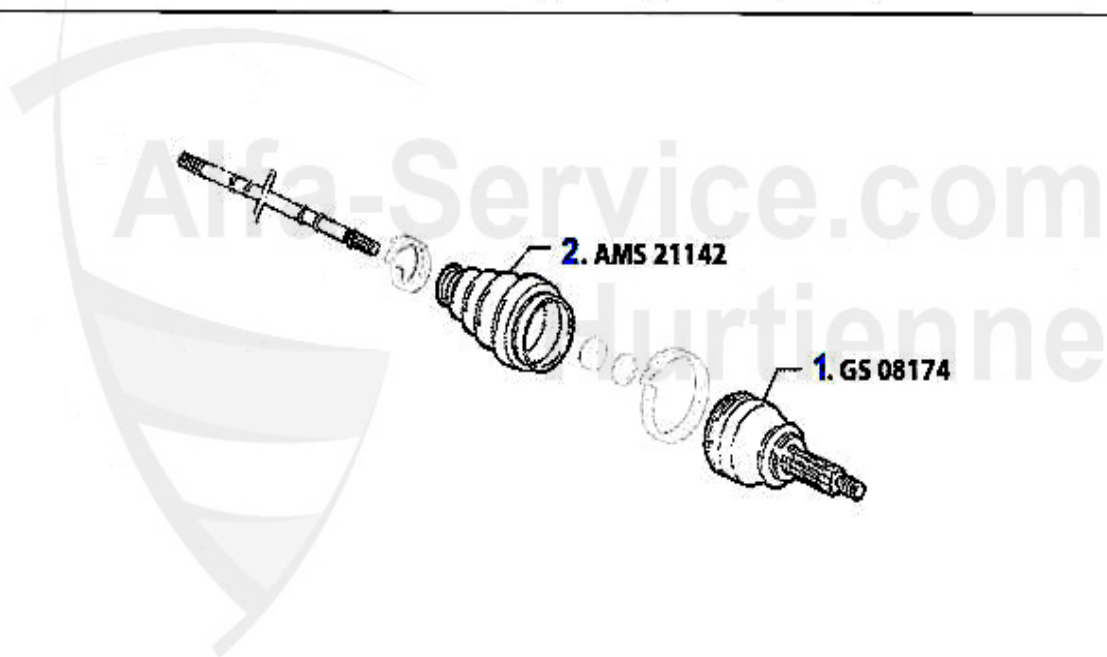
## Antriebswelle/Driveshaft gtv/spider (916) 3.0 V6 24V



1	GS23839	Gelenksatz außen 155,gtv/spider (916) diverse mit ABS	169.27 EUR
3	GS23845	Gelenksatz innen 155 2.5 TD,gtv/spi der (916) 6-zylinder	***
4	AMS26088	OE. 60556609 Boot Set Wheel Side	15.01 EUR
5	AMS26258	INTERIOR AXLE BOOT 155 2.0TB,2.5TD (107-22mm) SPIDER 916 3.0 V6	14.26 EUR

## Antriebswelle/Driveshaft gtv/spider (916) 3.2 V6 24V

---

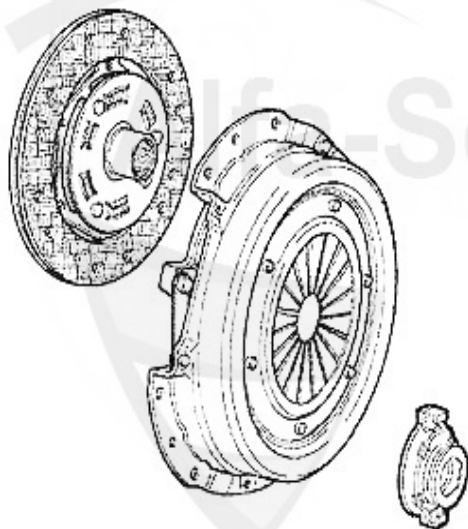


1	GS08174	OE. 46308174 HALF SHAFT 916 3.2 V6 24V	297.50 EUR
2	AMS21142	OE. 46307733 BOOT SET 147,156,gtv/spider (916),Nuovo GT 3.2 V6 24V/GTA	20.42 EUR



## Kupplungs-Kit/Clutch Set gtv/spider (916) 1.8/2.0 TS

---

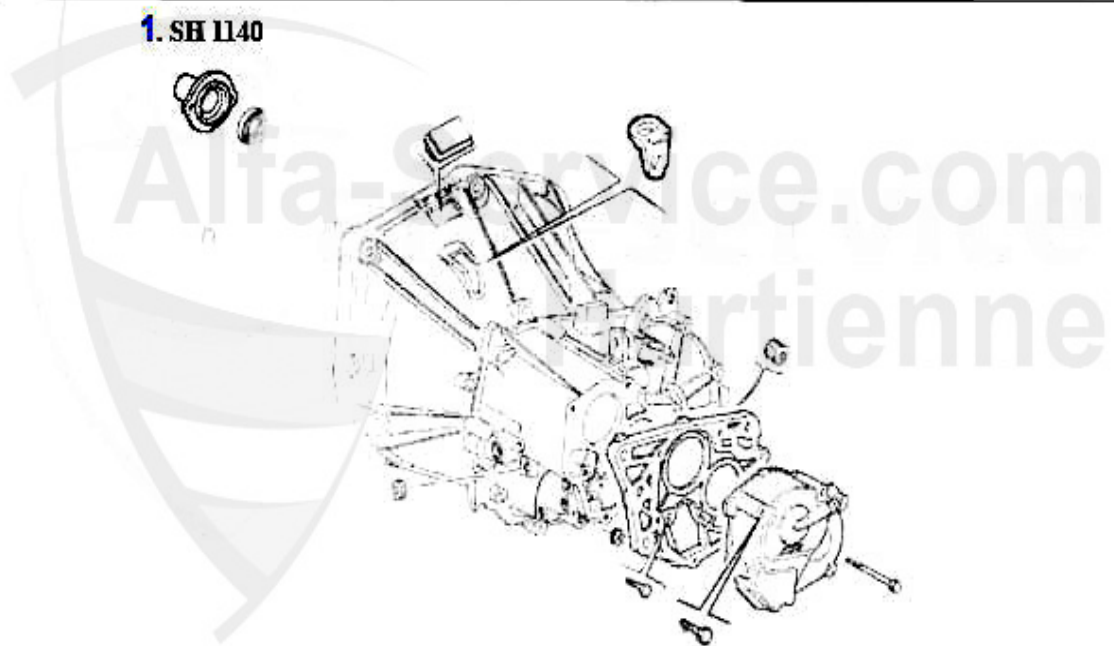


**1. KK 576001**  
Ø 215 mm  
1.8 TS

**2. KK 789001**  
Ø 230 mm  
2.0 TS

<b>1</b>	<b>KK576001</b>	<b>CLUTCH SET 145/6 1.4/1.6/1.8 TS,GTV/ Spider (916)/155 1.6/1.8 TS 16V,2.0 TS 8V 92-99</b>	<b>199.00 EUR</b>
<b>2</b>	<b>KK789001</b>	<b>OE. 71734766 CLUTCH KIT 2.0 TS 16V 230 mm</b>	<b>269.00 EUR</b>

## Ausrücker/Sleeve Bearing gtv/spider (916) 1.8/2,0 TS

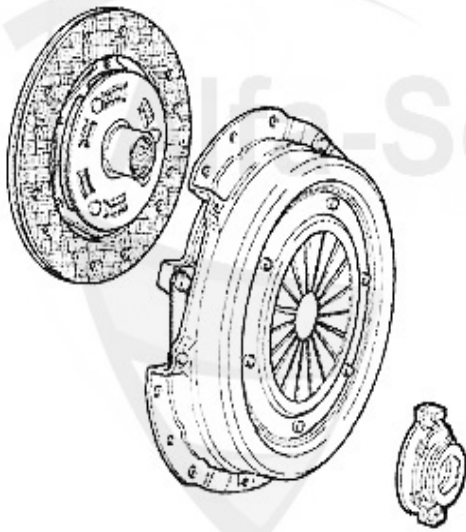


1 FH1140 Schiebehülse für Ausrücker 145/6, 147,155,156,gtv/spider (916)

19.49 EUR

## Kupplungs-Kit/Clutch Set gtv/spider (916) 2.0 JTS

---



1. KK 190116  
Ø 230 mm

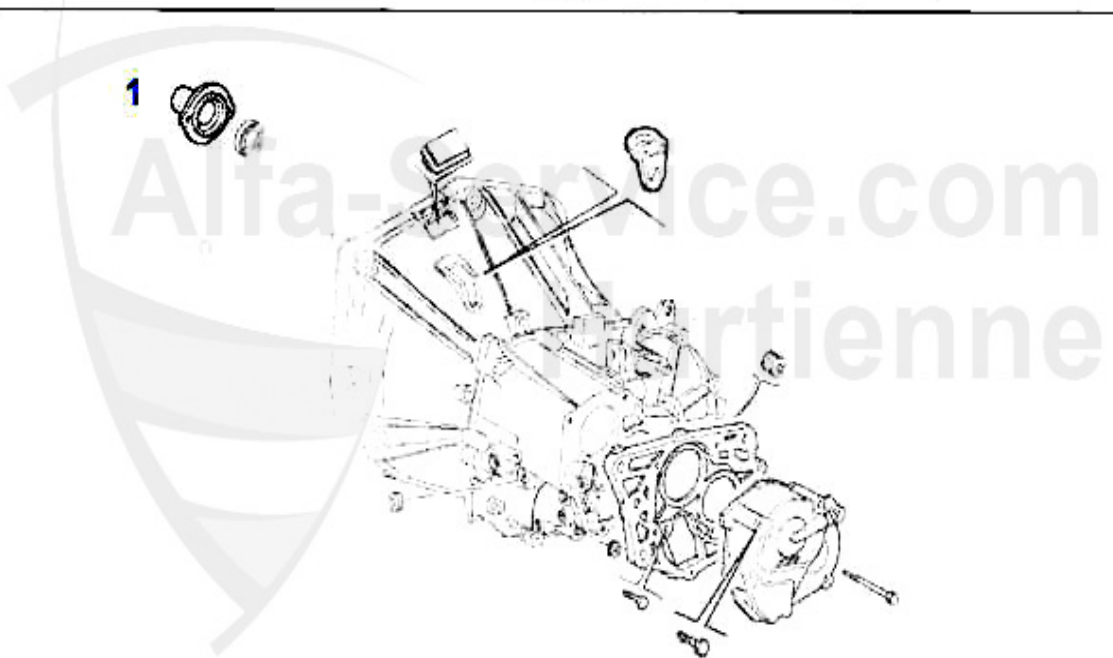
---

1 KK190116 OE. 55190116 KIT CLUTCH gtv/spider (916) 2.0 JTS

324.73 EUR

## Ausrücker/Sleeve Bearing gtv/spider (916) 2.0 JTS

---

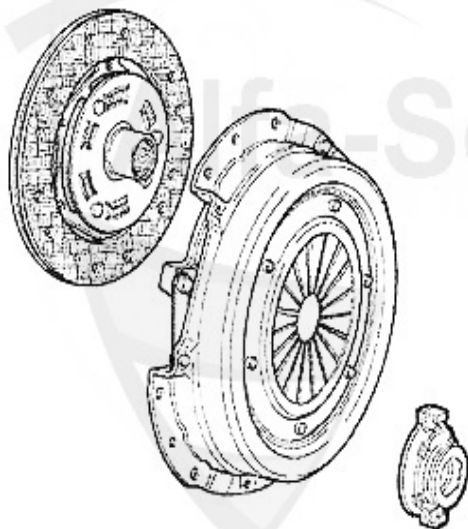


---

1 FH1140 Schiebehülse für Ausrücker 145/6, 147,155,156,gtv/spider (916)

19.49 EUR

Kupplungs-Kit/Clutch Set gtv/spider (916) 2.0 V6 Turbo



1. KK 790001  
Ø 230 mm  
gtv Bj >98

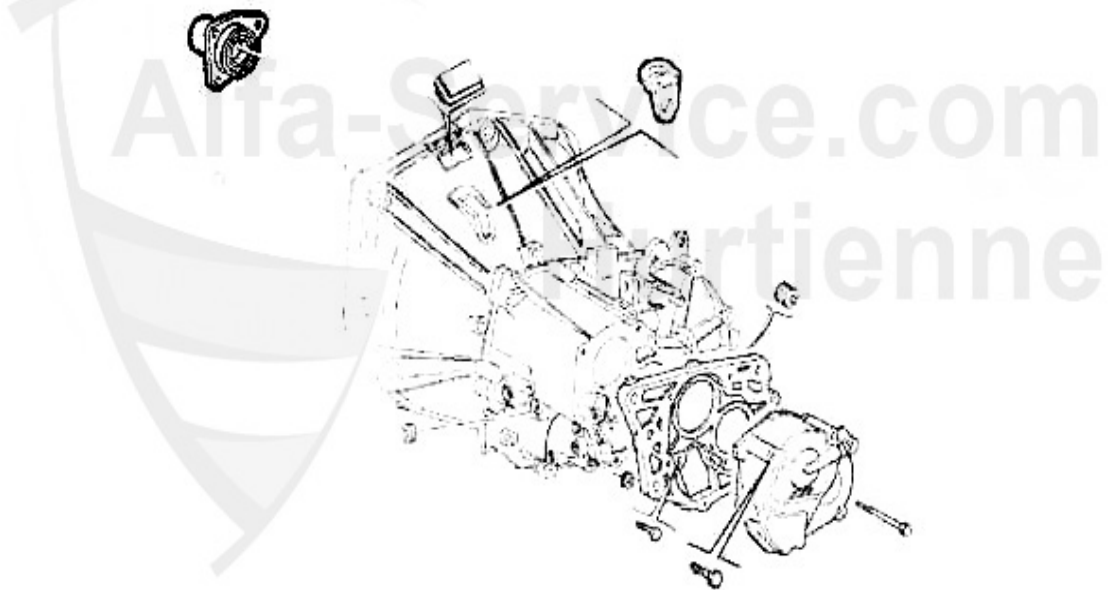
2. KK 727001  
Ø 235 mm  
gtv/spider Bj. 98>

1	KK790001	CLUTCH KIT SPIDER (916) 3.0 V6 06/1995-12/1998, GTV (916) 2.0 V6 Turbo to 1998	412.55 EUR
2	KK727001	CLUTCH-KIT 717 34 944/607 78 039/5896173	355.00 EUR

## Ausrücker/Sleeve Bearing gtv/spider (916) 2.0 V6 Turbo

---

1. FH 11951



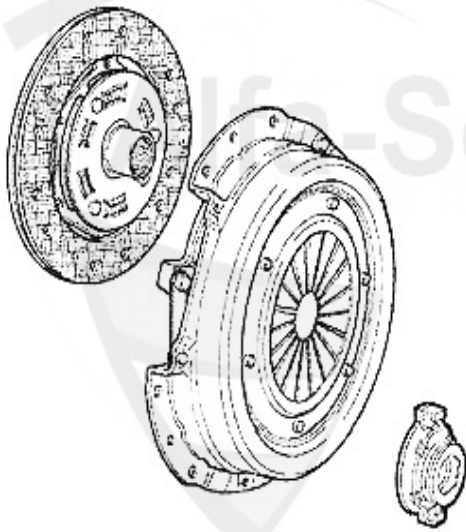
---

1 FH11951 GUIDE BUSH FOR CLUTCH RELEASE BEARING 3 HOLES  
145/6,147,155,164/SUPER

79.00 EUR

## Kupplungs-Kit/Clutch Set gtv/spider (916) 3.0 V6 12V

---



1. KK 790001  
Ø 230 mm  
Bj.>98

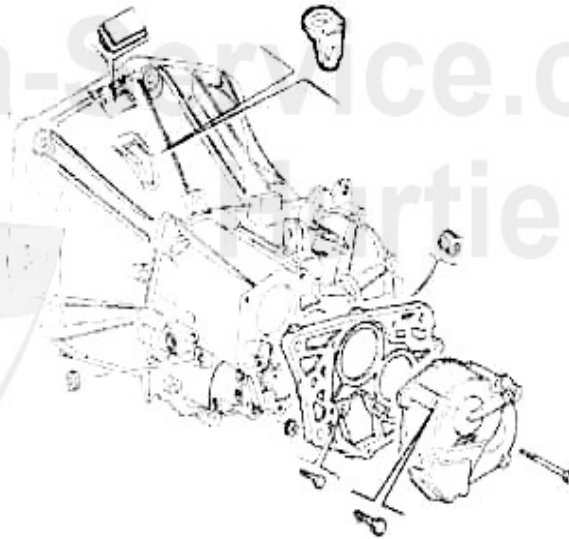
2. KK 727001  
Ø 235 mm  
Bj. 98>

1	KK790001	CLUTCH KIT SPIDER (916) 3.0 V6 06/1995-12/1998, GTV (916) 2.0 V6 Turbo to 1998	412.55 EUR
2	KK727001	CLUTCH-KIT 717 34 944/607 78 039/5896173	355.00 EUR

## Ausrücker/Sleeve Bearing gtv/spider (916) 3.0 V6 12V

---

**1. FH 11951**



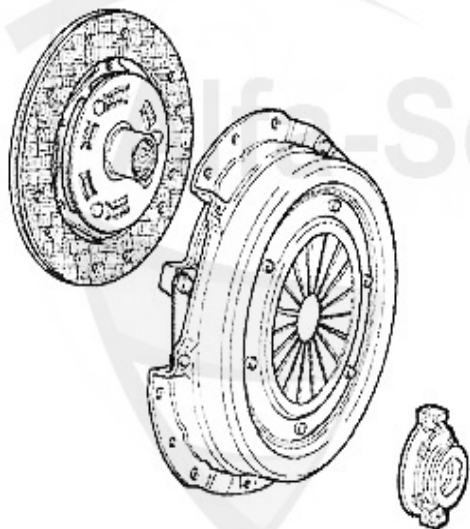
---

**1** FH11951 GUIDE BUSH FOR CLUTCH RELEASE BEARING 3 HOLES  
145/6,147,155,164/SUPER

**79.00 EUR**



## Kupplungs-Kit/Clutch Set gtv/spider (916) 3.0 V6 24V



1. KK 727001

Ø 235 mm

gtv B.j >98

2. KK 735943

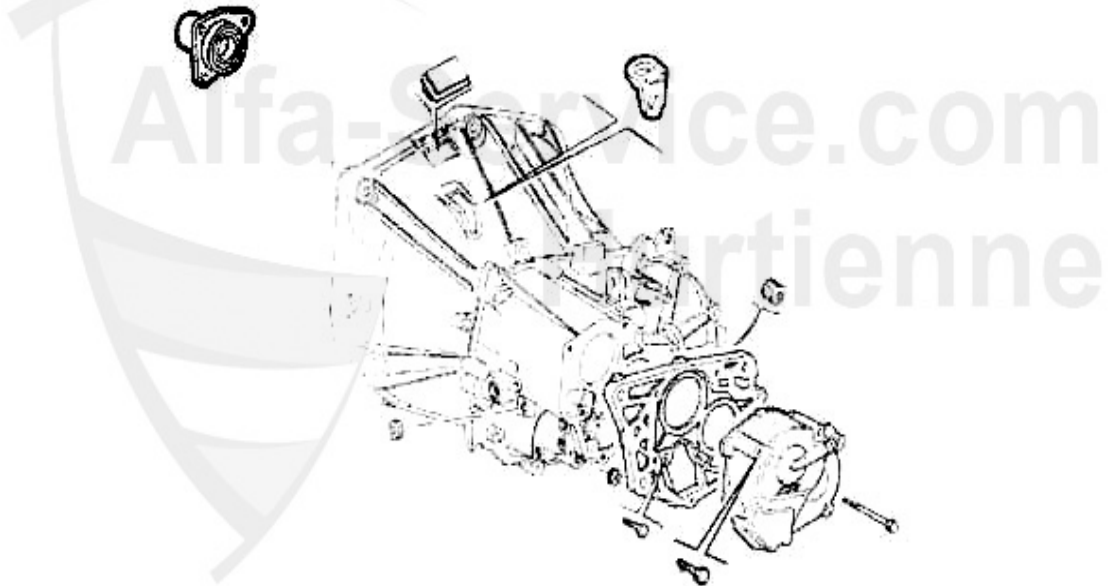
Ø 235 mm

gtv/spider Bj. 98>

1	KK727001	CLUTCH-KIT 717 34 944/607 78 039/5896173	355.00 EUR
2	KK735943	OE. 71735943 CLUTCH KIT 166,gtv/spider (916) 3.0 V6 24V = OE. 71718090	368.28 EUR

## Ausrücker/Sleeve Bearing gtv/spider (916) 3.0 V6 24V

1. FH 11951

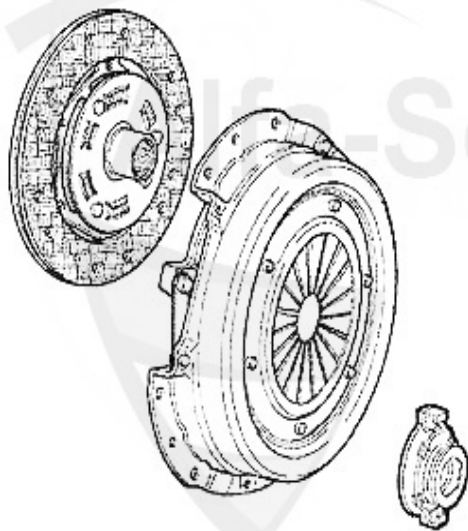


1 FH11951 GUIDE BUSH FOR CLUTCH RELEASE BEARING 3 HOLES  
145/6,147,155,164/SUPER

79.00 EUR

## Kupplungs-Kit/Clutch Set gtv/spider (916) 3.2 V6 24V

---



1. KK 739521  
Ø 235 mm

---

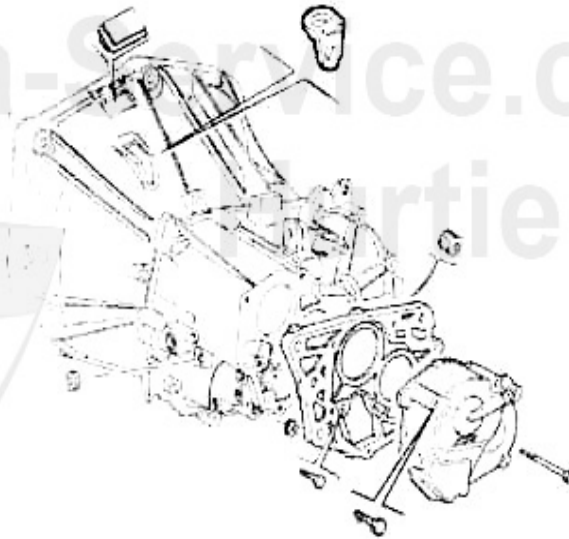
1 KK739521 OE. 71739521 CLUTCH KIT 147,156,916 GTA

559.36 EUR

## Ausrücker/Sleeve Bearing gtv/spider (916) 3.2 V6 24V

---

1. FH 11951



---

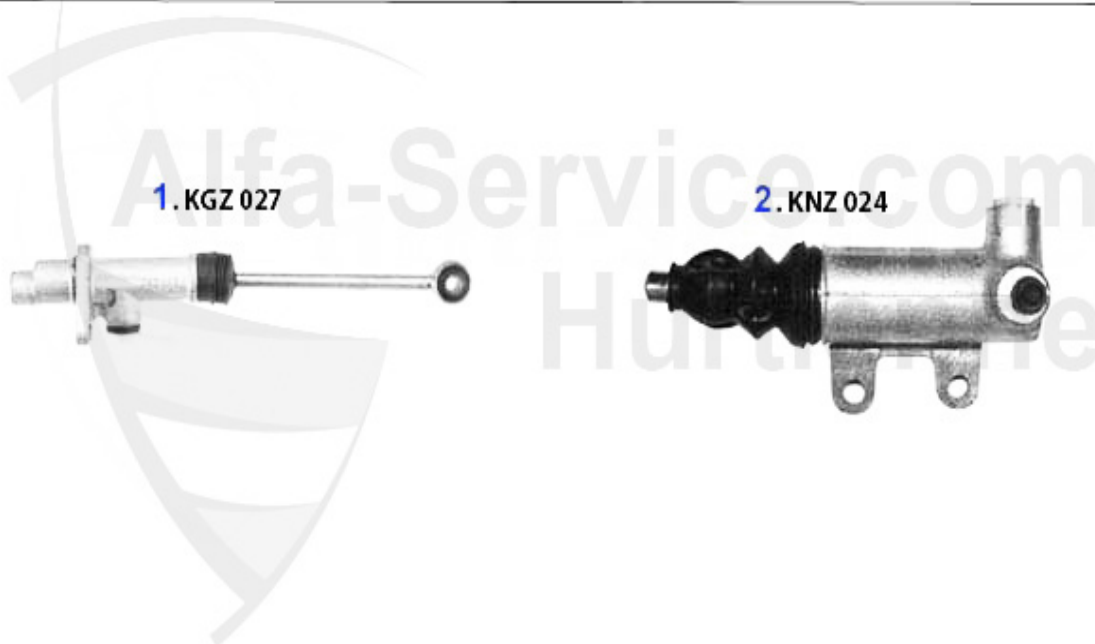
1 FH11951 GUIDE BUSH FOR CLUTCH RELEASE BEARING 3 HOLES  
145/6,147,155,164/SUPER

79.00 EUR

## GTV/Spider (916) > DRIVETRAIN > CLUTCH ACTUATION > 1.8/2.0 TS

### Kupplungsbetätigung/Clutch Actuation gtv/spider (916) 1.8/2.0 TS

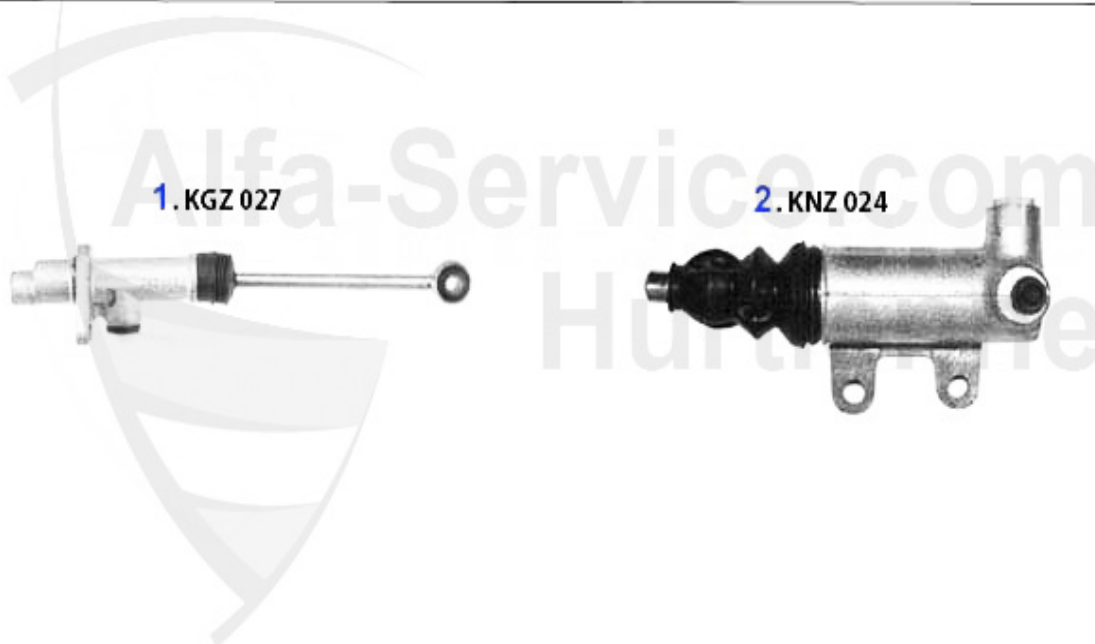
---



1	KGZ027	OE.60814827,CLUTCH MASTER CYLINDER 145/6,155,GTV/SPIDER(916)	89.00 EUR
2	KNZ008	OE. 60502665 CLUTCH SLAVE CYLINDER	59.00 EUR
2	KNZ024	OE.71739541 CLUTCH SLAVE CYL.145/6 155,0075933>,GTV/SPIDER(916) 07.95>	49.90 EUR

Kupplungsbetätigung/Clutch Actuation gtv/spider (916) 2.0 JTS

---

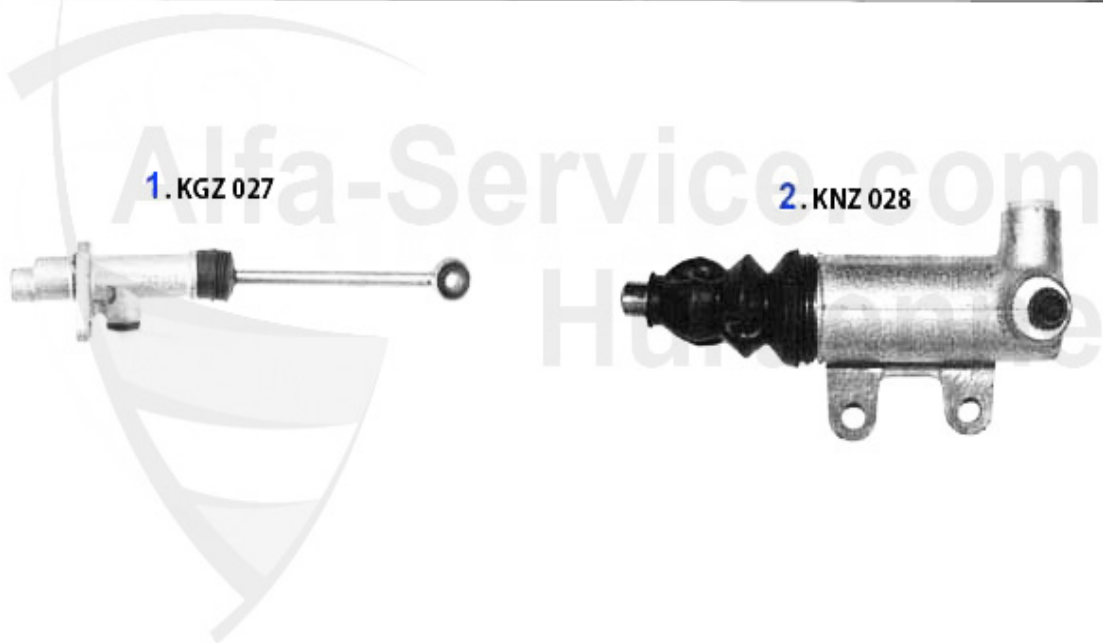


1	KGZ027	OE.60814827,CLUTCH MASTER CYLINDER 145/6,155,GTV/SPIDER(916)	89.00 EUR
2	KNZ008	OE. 60502665 CLUTCH SLAVE CYLINDER	59.00 EUR
2	KNZ024	OE.71739541 CLUTCH SLAVE CYL.145/6 155,0075933>,GTV/SPIDER(916) 07.95>	49.90 EUR

## GTV/Spider (916) > DRIVETRAIN > CLUTCH ACTUATION > 2.0 V6 Turbo

Kupplungsbetätigung/Clutch Actuation gtv/spider (916) 2.0 V6 Turbo

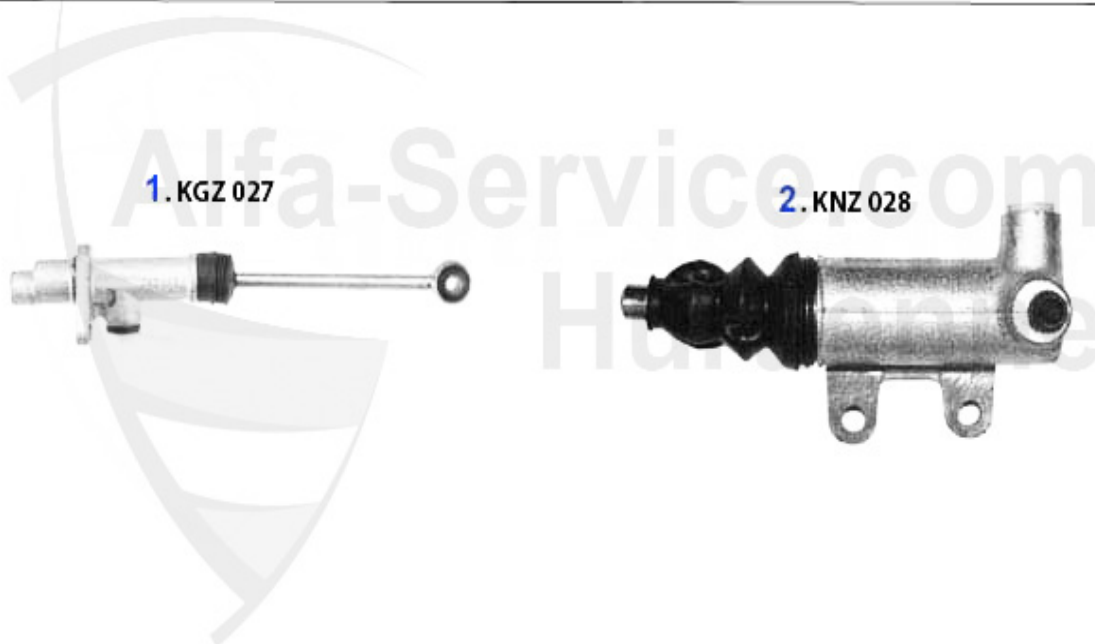
---



1	KGZ027	OE.60814827,CLUTCH MASTER CYLINDER 145/6,155,GTV/SPIDER(916)	89.00 EUR
2	KNZ028	OE. 60801577 CLUTCH SLAVE CYLINDER	51.50 EUR
2	KNZ008	OE. 60502665 CLUTCH SLAVE CYLINDER	59.00 EUR

Kupplungsbetätigung/Clutch Actuation gtv/spider (916) 3.0 V6 12V

---

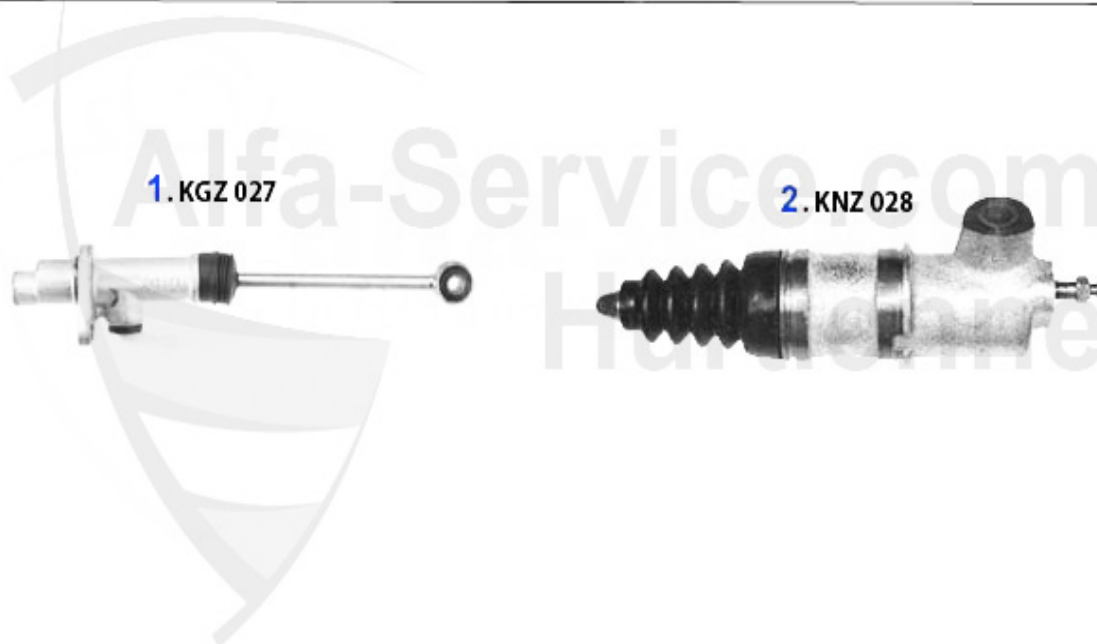


1	KGZ027	OE.60814827,CLUTCH MASTER CYLINDER 145/6,155,GTV/SPIDER(916)	89.00 EUR
2	KNZ028	OE. 60801577 CLUTCH SLAVE CYLINDER	51.50 EUR
2	KNZ008	OE. 60502665 CLUTCH SLAVE CYLINDER	59.00 EUR



Kupplungsbetätigung/Clutch Actuation gtv/spider (916) 3.0 V6 24V

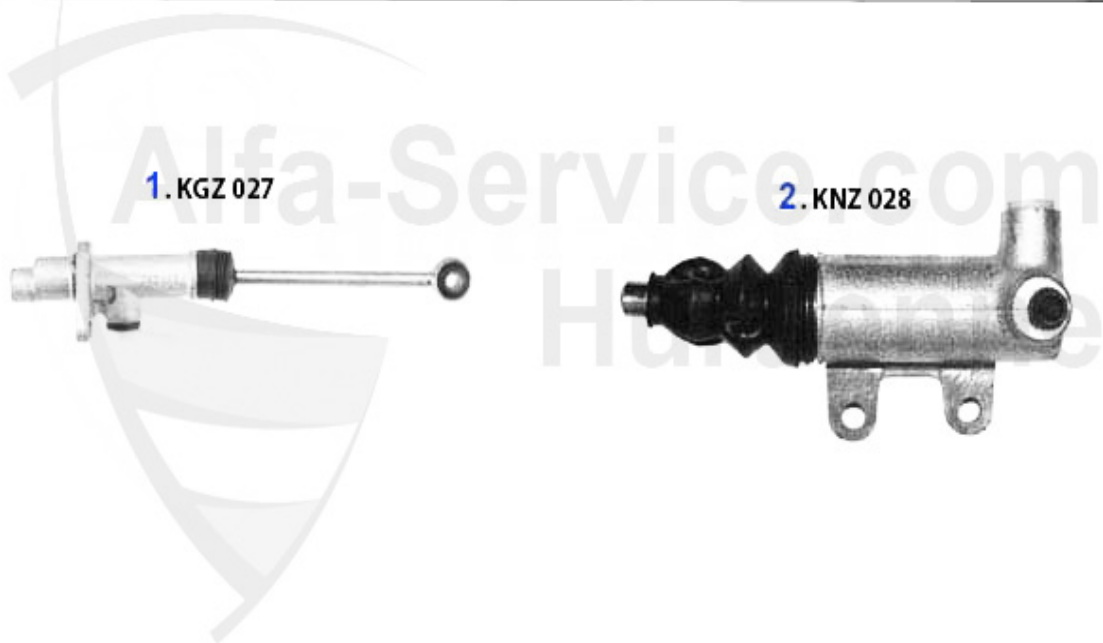
---



1	KGZ027	OE.60814827,CLUTCH MASTER CYLINDER 145/6,155,GTV/SPIDER(916)	89.00 EUR
2	KNZ028	OE. 60801577 CLUTCH SLAVE CYLINDER	51.50 EUR
2	KNZ008	OE. 60502665 CLUTCH SLAVE CYLINDER	59.00 EUR

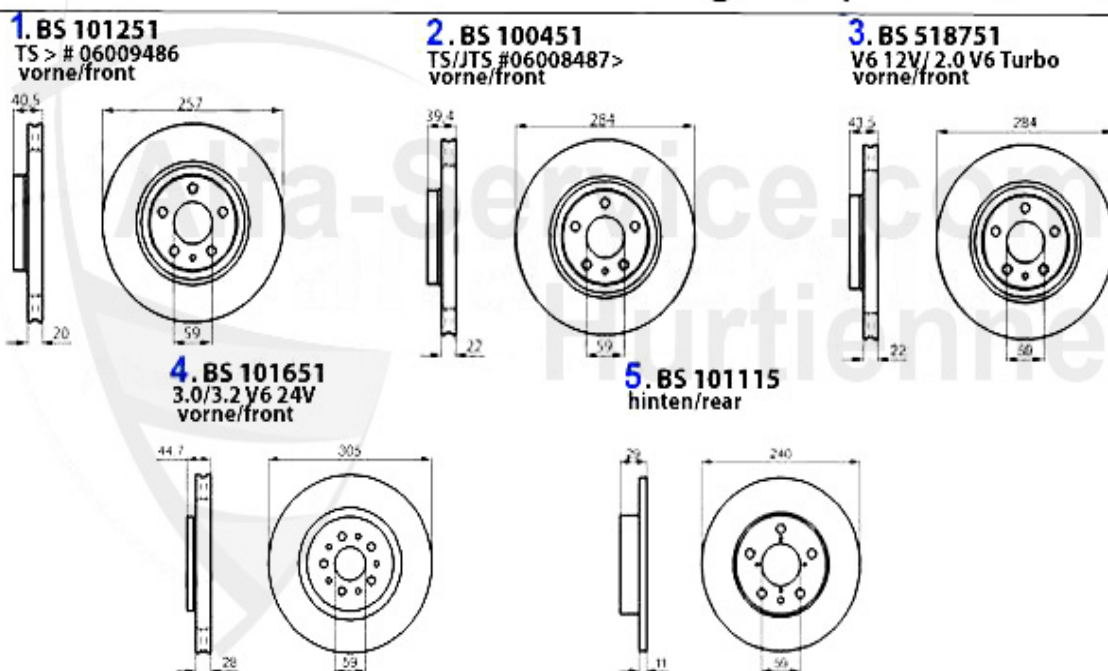
Kupplungsbetätigung/Clutch Actuation gtv/spider (916) 3.2 V6 24V

---



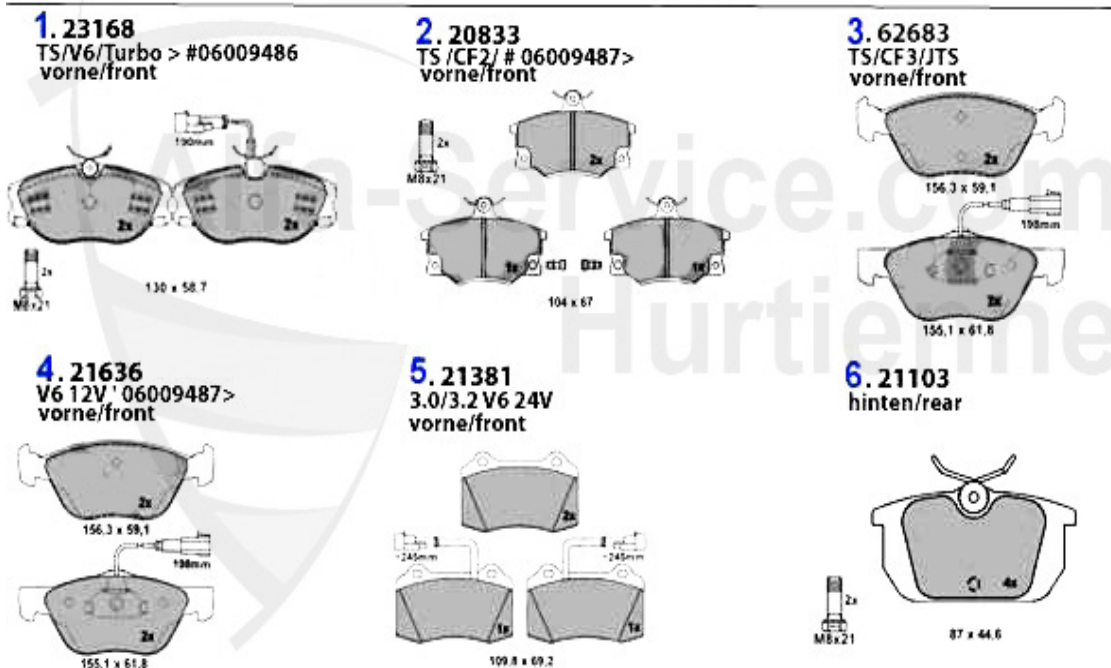
1	KGZ027	OE.60814827,CLUTCH MASTER CYLINDER 145/6,155,GTV/SPIDER(916)	89.00 EUR
2	KNZ028	OE. 60801577 CLUTCH SLAVE CYLINDER	51.50 EUR
2	KNZ008	OE. 60502665 CLUTCH SLAVE CYLINDER	59.00 EUR

## Bremsscheiben/Brakedisks gtv/spider (916)



1	BS101251	Bremsscheibe VA spider (916) 2.0 TS bis # 6009486 bj. >07.95 nur für Bremssystem: Bendix	70.78 EUR
2	BS100451	Bremsscheibe VA Spider (916) 1.8/ 2.0 TS mit Bremssystem: Ate ab # 6009486 gtv (916) 1.8/2.0/TS	83.10 EUR
3	BS518751	OE. 71739568 FRONT BRAKE DISK 147, 156, 164, gtv/spider (916)	70.78 EUR
4	BS101651	FRONT BRAKE DISK 147/156 GTA GTV/SPIDER (916) 3.0/3.2 V6 24V	87.20 EUR
5	BS101115	Bremsscheibe HA spider/gtv (916) 2.0/TS/V6 turbo/3.0 V6/24V	38.47 EUR

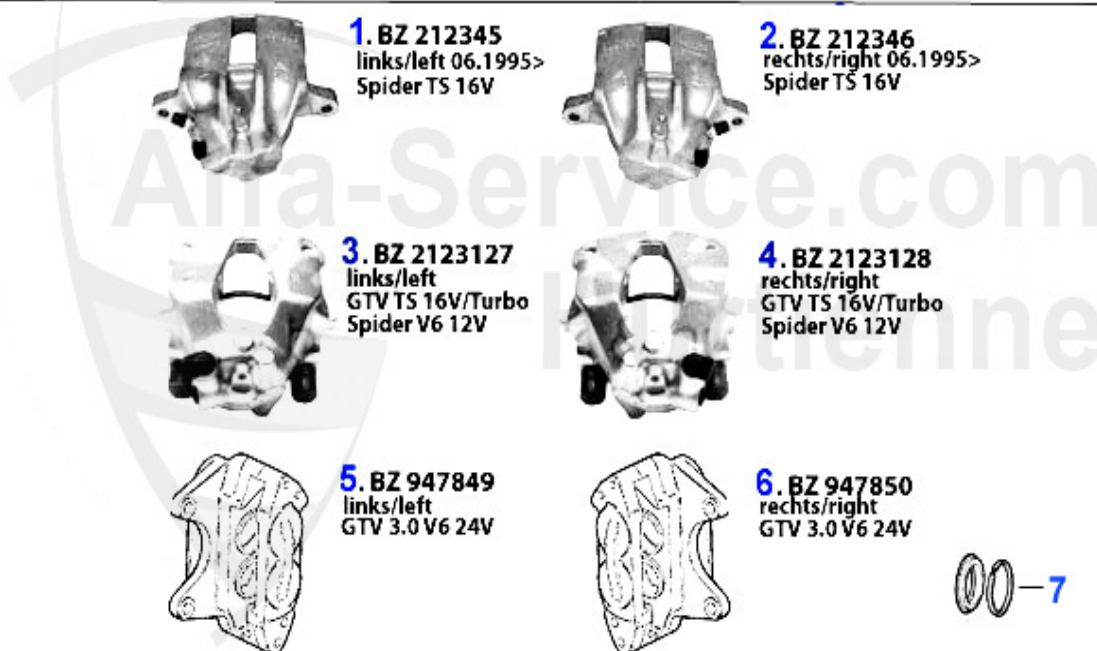
# Brembeläge/Brakepads gtv/spider (916)



1	23168 193 25	SBB VA mit WE spider/gtv (916) 2.0/ TS/V6 turbo/3.0 V6/24V Bj. >05.98 Bremsssystem: Lucas	97.87 EUR
2	20833 171 25	FRONT BRAKE PADS WITH CONTROL UNIT 145/6 1.4/1.6/1.7/1.8 16V/TS 94-96,155 1.7/ 1.8/2.0/TS 1.9TD,SPIDER (916) 2.0 TS/2.0 V6 95-98 BRAKE SYSTEM: LUCAS	42.98 EUR
3	62683	SBB VA gtv/spider (916) 2.0 TS CF3/ 2.0 JTS Bj. 9.03>, Nouvo GT 1.8 TS/ 2.0 JTS/1.9 JTD	79.50 EUR
4	21636 193 05	OE 77362222, BRAKE PADS WITH ABRASION CONTACT, 155 1.6/1.8/2.0 16V TS/2.5 V6 TD 05.96 >, 156 1.6 1.8/2.0/16V/TS/JTS/V6/1.9/2.4 JTD , GTV/S	60.52 EUR
5	21381 180 15	SBB VA mit WE gtv (916) 3.0 V6/24V Bj. 95>, spider (916) 3.0 V6/24V Bj. 98> Bremsssystem: Brembo	110.79 EUR
6	21103 144 04	SBB HA ohne WE 145/6 1.4/1.6/1.7/ 1.8/2.0/16V/TS/1.9/TD/JTD bj. 94-01 155 1.6/1.7/1.8/2.0/16V/TS/turbo/ 1.9/2.5/TD/V6 bj. 92-97 spider/gtv (916) 2.0/TS/V6 turbo/ 3.0/V6/24V Bremsssystem: Lucas Neuer Preis!	51.00 EUR

# GTV/Spider (916) > BRAKE > CALIPER FRONT >1998

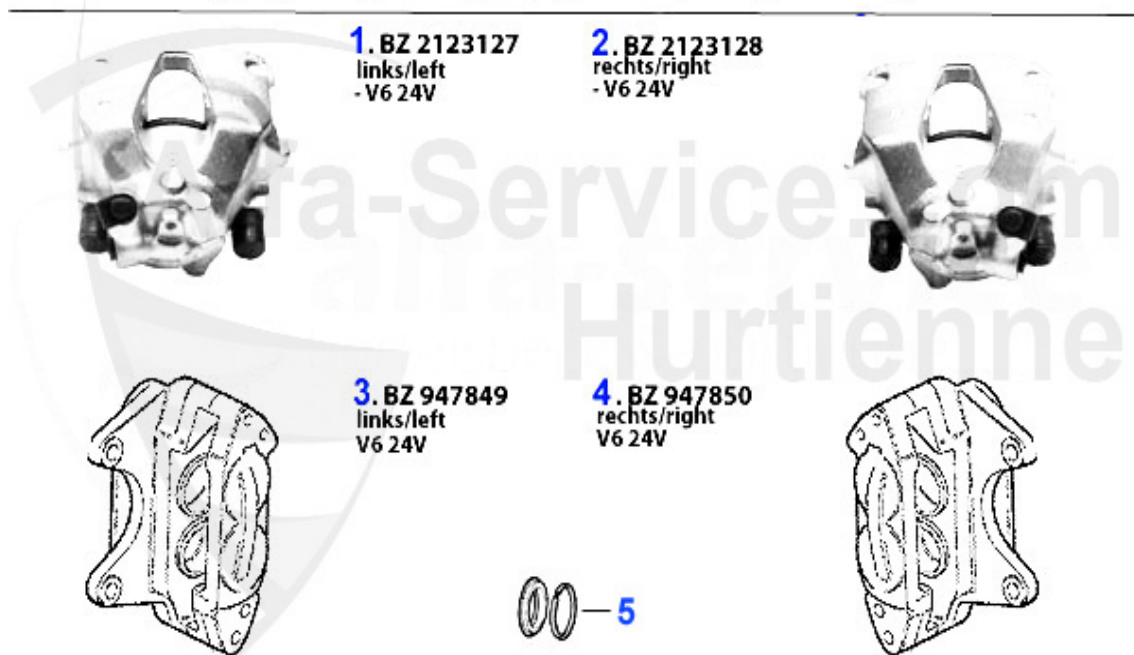
## Bremszangen/Calipers gtv/spider (916) vorne/front >1998



1	BZ212345	OE.9950602 BRAKE CALIPER FRONT LEFT 145/6 1.7 IE 16V YEAR 94-96 BRAKE SYSTEM LUCAS 1-PISTON EXCHANGE PART 155 YEAR >96, GTV/SPIDER (916)	91.30 EUR
2	BZ212346	OE.6650603 BRAKE CALIPER FRONT RIGHT 145/6 1.7 IE 16V YEAR 94-96 LUCAS BRAKE SYSTEM 1-PISTON EXCHANGE PART GTV/SPIDER (916), 155 YEAR >96	91.30 EUR
3	BZ2123127	OE. 9947391 F.BRK.CAL.W/O PAD	***
4	BZ2123128	OE. 9947392 F.BRK.CAL.W/O PAD	94.72 EUR
5	BZ947849	Frontbrake Callipper 147,156,916 3.2 V6	241.84 EUR
6	BZ947850	Frontbrake Callipper 147,156,916 3.2 V6	244.49 EUR
7	RSBS4025	REPAIR KIT FOR CALIPPER ATE 53mm DIAM. (for one calipper) FITS FOR THE MODELS 145/6-(930) 1.4/1.6/1.8/2.0/ 16V/TS 1.9J/TD 94-01, 156+SW(932)1.9JTD 1.6/1.8/2.0/2.4JTD, 3.2GTA, 00-05	21.99 EUR
7	RSBS89990 02	REPAIR KIT FRONT BRAKE CALIPER GTV/ SPIDER (916), 145/6 1.8/2.0 TS	23.68 EUR

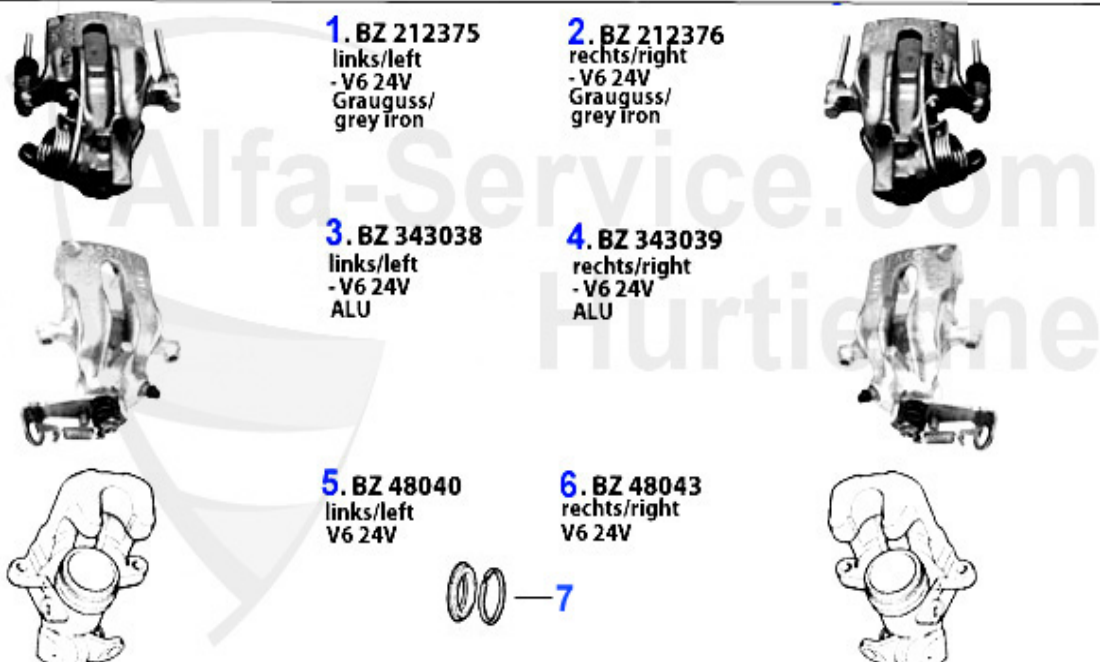
GTV/Spider (916) > BRAKE > CALIPER FRONT 1998>

Bremszangen/Calipers gtv/spider (916) vorne/front 1998>



1	BZ2123127 OE. 9947391 F.BRK.CAL.W/O PAD	***
2	BZ2123128 OE. 9947392 F.BRK.CAL.W/O PAD	94.72 EUR
3	BZ947849 Frontbrake Callipper 147,156,916 3.2 V6	241.84 EUR
4	BZ947850 Frontbrake Callipper 147,156,916 3.2 V6	244.49 EUR
5	RSBS4025 REPAIR KIT FOR CALIPPER ATE 53mm DIAM. (for one calipper) FITS FOR THE MODELS 145/6-(930) 1.4/1.6/1.8/2.0/ 16V/TS 1.9J/TD 94-01, 156+SW(932)1.9JTD 1.6/1.8/2.0/2.4JTD, 3.2GTA, 00-05	21.99 EUR
5	RSBS89990 02 REPAIR KIT FRONT BRAKE CALIPER GTV/ SPIDER (916), 145/6 1.8/2.0 TS	23.68 EUR

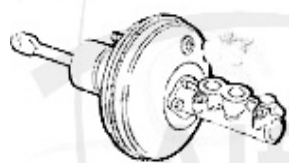
## Bremszangen/Calipers gtv/spider (916) hinten/rear



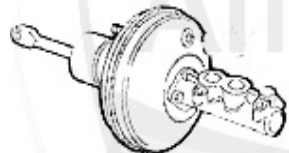
1	BZ212375	brake caliper rear left side 145/6 1.4 1.6/1.7 ie 16V/TS 1.9 TD,155 all- 916 GTV/Spider 2,0L TS 16V/TB. Lucas 1-piston brake system, exchange part	142.60 EUR
2	BZ212376	brake caliper rear right side 145/6 1.4 1.6/1.7 ie 16V/TS 1.9 TD, 155 all- 916 GTV/Spider 2,0L TS 16V/TB. Lucas 1-piston brake system, exchange part	142.60 EUR
3	BZ343038	Bremssattel HL 145/6,155 Bj. 97> Br emssystem: Lucas 1-Kolben Aluminium	94.47 EUR
4	BZ343039	Bremssattel HR 145/6,155 Bj. 97> Br emssystem: Lucas 1-Kolben Aluminium	94.47 EUR
5	BZ48040	OE. 9948040 BRAKE CALIPER RL 916 V6 24V	***
6	BZ48043	OE. 9948043 BRAKE CALIPER RR 916 V6 24V	290.59 EUR
7	RSBS4129	REAR BRAKE CALIPER REPAIR KIT LUCAS 145/6 94-99,155 92-96,GTV/SPIDER 95-98	23.21 EUR

# GTV/Spider (916) > BRAKE > BRAKE SERVO/BRAKE MASTER CYL.

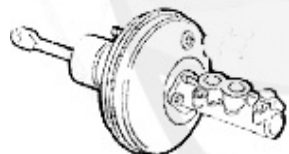
BKV/Hauptbremszylinder/Brakeservo/Brake master cylinder gtv/spider (916)



**1. BKV 71358**  
1.8/2.0 TS (CF2)  
6-Cyl. >1998



**2. BKV 78974**  
2.0 TS (CF3)  
6-Cyl. 1998>



**3. BKV 33637**  
2.0 JTS



**4. BKV 33638**  
3.2 V6 24V



**5. HBZ 208**

<b>1</b>	<b>BKV71358</b>	<b>BRAKE SERVO 145/6 1.6/1.6TS 16V,155 1.7/1.8/2.0 TS 16V/2.5 V6 #69451&gt;/1.9/ 2.5 TD,GTV/Spider (916) 1.8/2.0 TS/V6 Turbo</b>	<b>***</b>
<b>2</b>	<b>BKV78974</b>	<b>Bremskraftverstärker gtv/spider (91 6) Bj. 98&gt; 2.0 TS CF3/3.0 V6/24V</b>	<b>***</b>
<b>3</b>	<b>BKV33637</b>	<b>OE. 51733637 BRAKE-SERVO 916 2.0 JTS</b>	<b>358.02 EUR</b>
<b>4</b>	<b>BKV33638</b>	<b>OE. 51733638 BRAKE-SERVO 916 3.2 V6 24V</b>	<b>550.72 EUR</b>
<b>5</b>	<b>HBZ208</b>	<b>BRAKE MASTER CYLINDER 145/6,155,916</b>	<b>117.98 EUR</b>

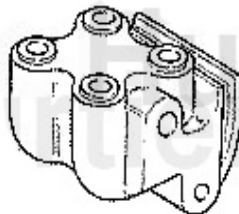


## Bremskraftregler/Brake Valve gtv/spider (916)

---



1. BKR 786  
# 06064241>



---

2 BKR786 Bremskraftregler gtv/spider (916) # 6024240>

85.00 EUR

## Bremsschlauch/Brake Hose gtv/spider (916)

**1. BS 517136**  
vorne/front  
>1998



**2. BS 468487**  
vorne/front  
1998>



**3. BS 736956**  
hinten/rear  
>1998

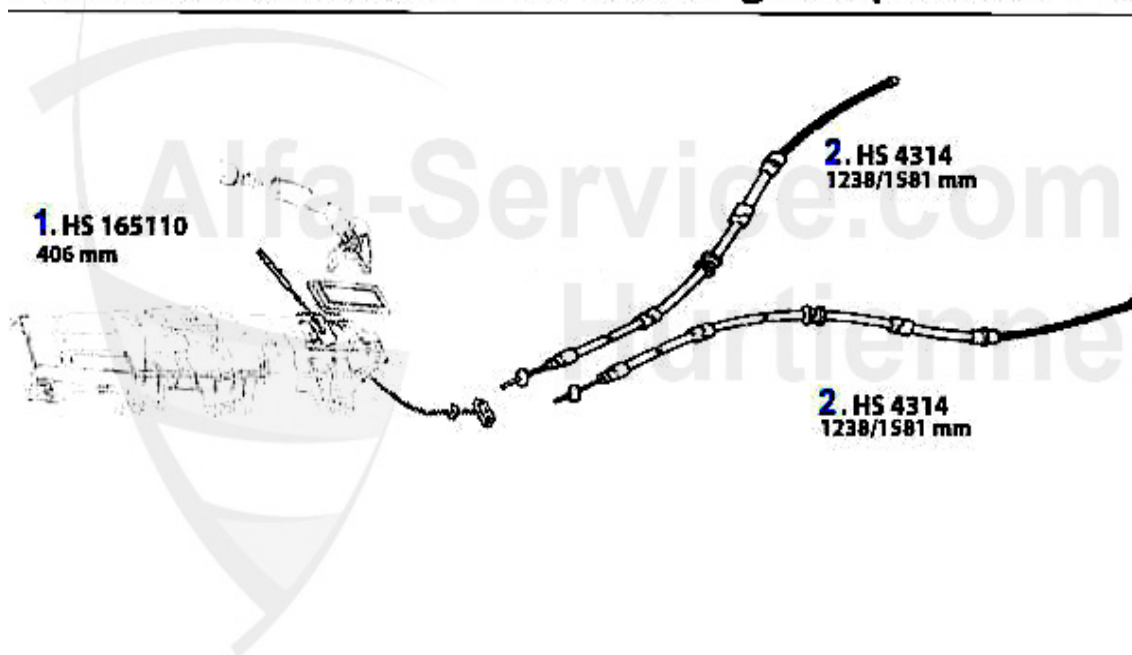


**4. BS 830668**  
hinten/rear  
1998>



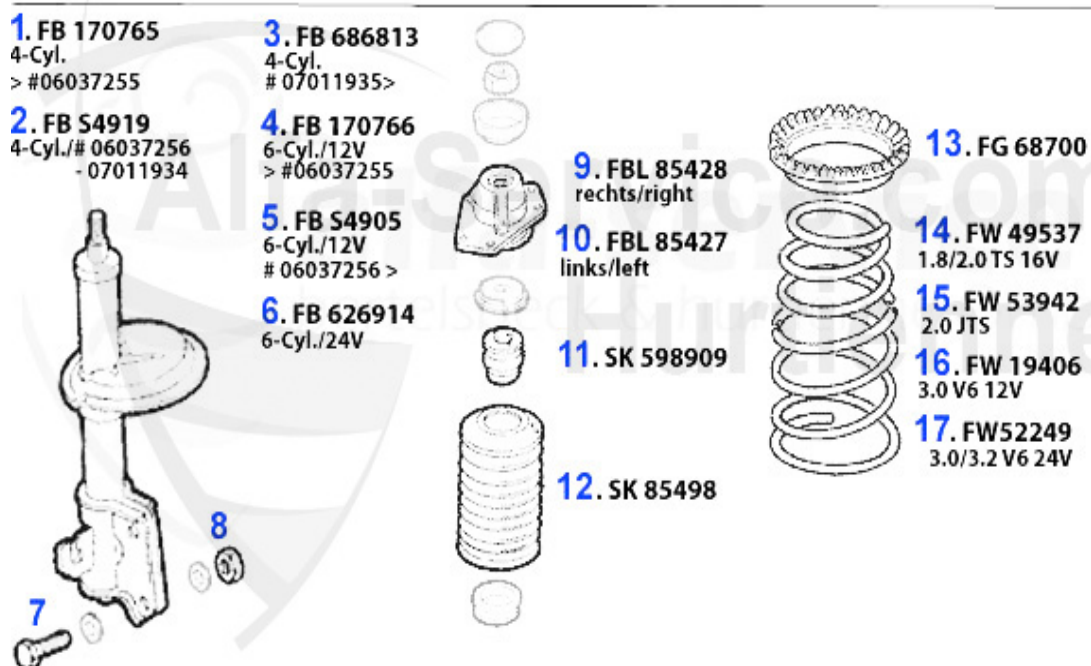
1	BS517136	FRONT BRAKE HOSE 145/6 1.4/1.6/3.0 V6 06.95>	15.99 EUR
2	BS468487	OE. 46468487 BRAKE FLEX. HOSE FRONT gtv/spider (916) V6 24V	26.50 EUR
3	BS736956	OE. 71736956 REAR BRAKE HOSE gtv/spider (916) >1998	18.36 EUR
4	BS830668	OE. 46830668 RAER BRAKE HOSE gtv/spider (916) 1998>	25.00 EUR

## Handbremsseil/Brake Cable gtv/spider(916)



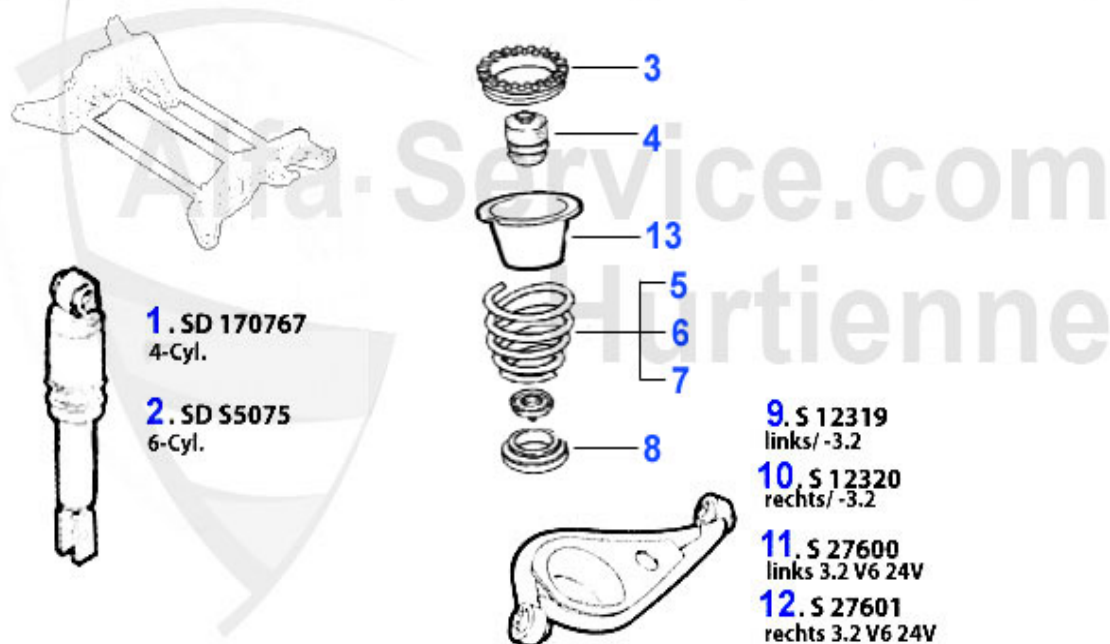
1	HS165110	HANDBRAKE CABLE FRONT 145/6,147,155, SPIDER/GTV (916),NUOVO GT HANDBRAKE CABLE FRONT 145/6,147,155, SPIDER/GTV (916),NUOVO GT	19.08 EUR
2	HS4314	Handbremsseil gtv/spider (916) benötigte Stückzahl: 2	19.80 EUR

## Federbeine/Struts gtv/spider (916) vorne/front



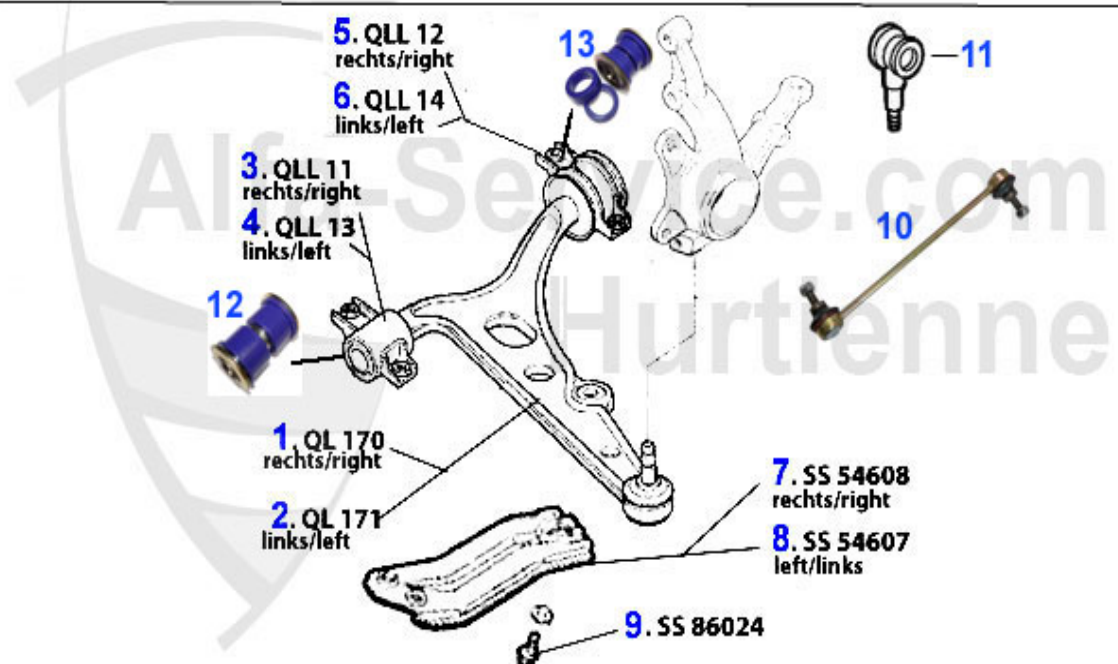
1	FB170765	FRONT SHOCK ABSORBER SPIDER/GTV (916) 4 CYLINDER >98>#6037255, 2 PIPE GAS	***
2	FBS4919	Federbein vorne spider/gtv (916) 4- Zylinder Bj. 98> # 6037256>,2-Rohr Gas SENSATRAC	***
3	FB686813	OE. 60686813 SHOCK ABSORBER FA 916 4-Cyl # 07011934>	***
4	FB170766	FRONT SHOCK ABSORBER SPIDER/GTV (916) 6 CYL. >98>#6037255 2 PIPE GAS	179.00 EUR
5	FBS4905	FRONT SHOCK ABSORBER SPIDER/GTV (916) 6 CYL. 98>#6037256, 2 PIPE GAS SENSATRAC WITHOUT HOLDER FOR STABILISATOR	236.81 EUR
6	FB626914	OE. 60626914 SHOCK ABSORBER FA 916 3.0/ 3.2 V6 24V WITHOUT HOLDER FOR STABILISATOR	236.81 EUR
7	SKS76615	HEXAGONAL BOLT FOR LOWER SPRING NUT, MANY MODELS	7.00 EUR
8	SKM76614	OE. 7676614 HEXAGONAL NUT FOR LOWER FRONT STRUT	9.50 EUR
9	FBL85428	Federbeinlager rechts gtv/spider (916)	90.42 EUR
10	FBL85427	OE.60629998 suspension strut bearing left side GTV/Spider (916)	***
11	SK598909	OE. 60598909 ELASTIC PAD f. FRONT STRUT 916	***
12	SK85498	OE. 60585498 BOOT f. FRONT STRUT 916	***
13	FG68700	OE. 60568700 INSULATING RING f. FRONT STRUT 916	9.95 EUR
14	FW49537	Fahrwerksfeder vorne spider/gtv 916 2.0 16V TS	109.50 EUR
15	FW53942	OE. 60653942 FRONT SPRING gtv/spider (916) 2.0 JTS	81.04 EUR
16	FW19406	Fahrwerksfeder spider (916) 3.0 V6 vorne	***
17	FW52249	OE. 60652249 FRONT SPRING gtv/spider (916) 3.0/3.2 V6 24V	87.71 EUR

## Federbeine/Sruts gtv/spider (916) hinten/rear



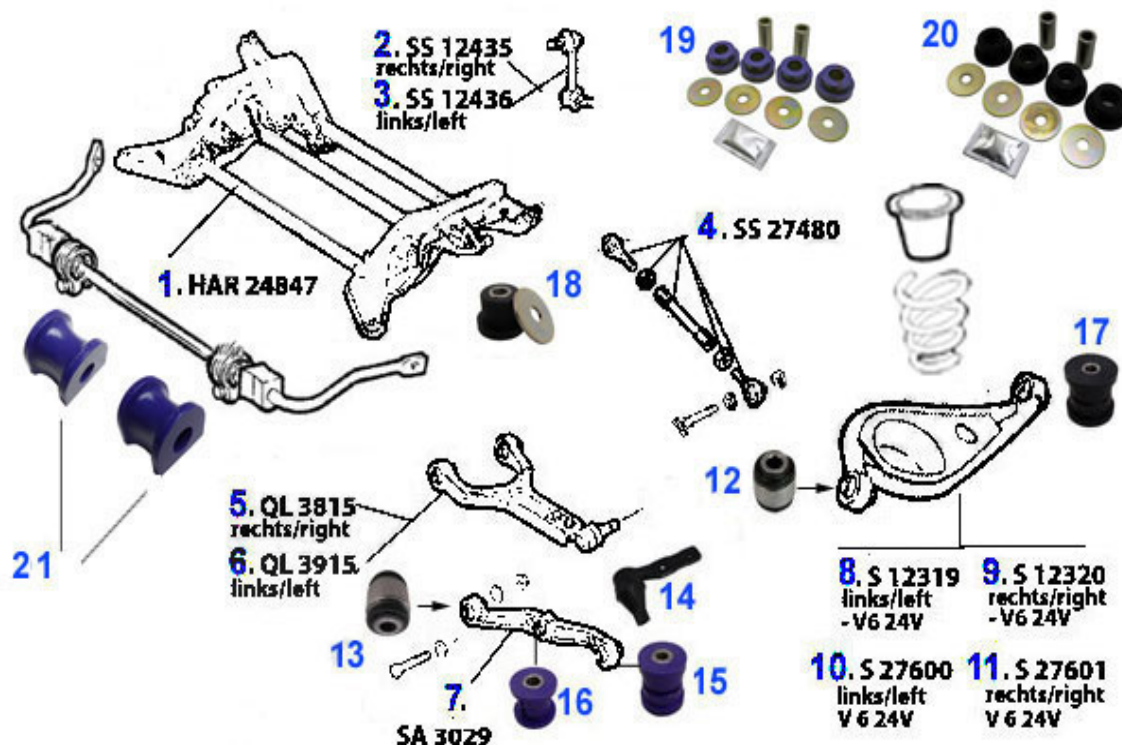
1	SD170767	Stossdämpfer hinten spider/gtv(916) oben Auge/unten Auge,1-Rohr Gas	***
2	SDS5075	Stossdämpfer hinten spider/gtv (916 )4-Zylinder Bj. 98> # 6037256>,2-Rohr Gas SENA TRAC	119.00 EUR
3	FG29544	OE. 60629544 THRUST RING 916 REAR	14.88 EUR
4	SK88459	DUST COVER REAR STRUT 145/6 155, SPIDER/GTV (916)	31.50 EUR
5	FW49536	Fahrwerksfeder hinten spider (916) > #07011934	94.00 EUR
6	FW86814	OE. 60686814 REAR SPRING 916 #07011935>	78.00 EUR
7	FW30301	OE. 60630301 REAR SPRING 916 3.0/3.2 V6 24V	122.08 EUR
8	FG35857	OE. 82435857 THRUST RING REAR 916	24.50 EUR
9	S12319	Schwinge HA links spider/gtv (916)	***
10	S12320	Schwinge HA rechts spider/gtv (916)	***
11	S27600	OE. 60627600 PILLAR left 916 3.2 V6 24V	***
12	S27601	OE. 60627601 PILLAR right 916 3.2 V6 24V	***
13	SK916	Lagerschale für Staubkappe HA GTV 916(95-05) Spider 916 (95-06) 4+6 Zylinder	47.90 EUR

Aufhängung/Attachement gtv/spider (916) vorne/front



1	QL170	OE.60586752 TRAILING ARM FRONT RIGHT 145,146,155 GTV/SPIDER(916) -cpl. CONTROL ARM	74.99 EUR
2	QL171	OE.60586771 TRAILING ARM LEFT 145,146,155 GT/SPIDER(916)- CPL. TRAILING ARM	75.51 EUR
3	QLL11	TRAILING ARM BEARING INNER RIGHT 145/6, 155,GTV&SPIDER (916) FITTING ITEM FOR QL170/2	9.50 EUR
4	QLL13	TRAILING ARM BEARING INNER LEFT 145/6, 155,GTV&SPIDER (916) FITTING PART FOR QL171/3	9.50 EUR
5	QLL12	TRAILING ARM BEARING OUTER/RIGHT 145/6, 155,GTV&SPIDER (916) FITTING PART FOR QL170/2	11.50 EUR
6	QLL14	TRAILING ARM BEARING OUTER LEFT 145/6, 155,GTV&SPIDER (916) FITTING PART FOR QL171/3	11.50 EUR
7	SS54608	STABILIZING BAR FRONT RIGHT GTV/SPIDER 916	***
8	SS54607	STABILIZING BAR FRONT LEFT GTV/SPIDER 916	***
9	SS86024	Schraube für Stabilisatorstrebe # S S 54607/8 VA gtv/spider (916) am Fahrerschemel	1.89 EUR
10	SS14514	Pendelstütze VA gtv/spider (916) Bj. 98>	35.00 EUR
11	SS1502	STABILIZING ARM/PENDULUM SUPPORT 145/6, 155,SPIDER/GTV (916) FRONT	24.50 EUR
12	AB916801-V	Powerflex Buchse Querlenker vorne GTV+Spider 916(95-05) 145/146/155	89.00 EUR
13	AB916802-H	Powerflex Buchse Querlenker hinten GTV+Spider 916(95-05) 145/146/155	89.00 EUR

## GTV/Spider (916) > SUSPENSION > ATTACHMENT REAR



2	SS12435	Pendelstütze HR gtv/spider (916)	40.94 EUR
3	SS12436	Pendelstütze HL gtv/spider (916)	40.94 EUR
4	SS27480	REAR TIE GTV/SPIDER (916)	119.00 EUR
5	QL3815	Querlenker hinten rechts spider/gtv (916) 4-zylinder	299.00 EUR
6	QL3915	Querlenker hinten links spider/gtv (916) 4-zylinder	***
7	SA3029	REAR LOWER CONTROL ARM 60627482	190.40 EUR
8	S12319	Schwinge HA links spider/gtv (916)	***
9	S12320	Schwinge HA rechts spider/gtv (916)	***
10	S27600	OE. 60627600 PILLAR left 916 3.2 V6 24V	***
11	S27601	OE. 60627601 PILLAR right 916 3.2 V6 24V	***
12	AB40700	Bushing for the rear pillar Spider/GTV (916) model	23.00 EUR
13	AB40800	LOWER ARM BUSHING SPIDER/GTV 916 WHEEL SIDE	27.50 EUR
14	TG40289	UPPER SUSPENSION ARM JOINT REAR AXLE SPIDER/GTV (916) RIGHT/LEFT	73.90 EUR
15	AB40712	LOWER INNER ROCKER BAR BEARING 916	45.01 EUR
16	AB40711	ROCKER BAR BEARING MIDDLE 916	***
17	AB40713	REAR SPRING PAN ARM SPIDER/GTV 916, INNER SPRING CAP	37.00 EUR
18	AB40716	INNER SUSPENSION ARM BUSHING (916) SPIDER GTV (REQUIRED PARTS 2)	28.91 EUR
19	AB40710	LOWER ROCKER BAR BEARING 916 POWERFLEX, WHEEL SIDE	29.90 EUR
20	AB40714	REAR SPRING PAN ARM 916, LOWER WHEEL SIDE, POWERFLEX	21.99 EUR
21	AB916717-1	POWERFLEX BUSHING 18mm REAR GTV+SPIDER 916 (95-05)	49.00 EUR
21	AB916717-2	Powerflex Stabibuchse 21mm hinten GTV+Spider 916 (1995-2005)	44.70 EUR

## Radlager/Wheel Bearing gtv/spider (916) - 4 Cyl.

vorne/front:



hinten/rear:



1	RL9051	WHEEL BEARING SET FRONT SPIDER/GTV (916) 145/6,155	59.00 EUR
2	RL15843	FRONT WHEEL BEARING 145/6 99> WITH ABS, GTV/SPIDER (916) #6063042	84.00 EUR
3	RN66910	OE. 82466910 WHEEL HUB FA 916,147	58.99 EUR
4	RN16023	WHEEL HUB SPIDER/GTV 916	99.00 EUR
5	RN6090	REAR WHEEL HUB GTV/SPIDER (916) 4.00> # 6063041 >	***



## Radlager/Wheel Bearing gtv/spider (916) - 6 Cyl.

vorne/front:



hinten/rear:



1	RL9054	Radlagersatz VA 155 2.0 16V Turbo, 164/Super 2.0 TS # 0014992 >, 2.0 V6 turbo,3.0 V6/24V/QV,145/6 1.9 JTD (ohne ABS), gtv/spider (916) V6/24V	85.00 EUR
2	RL15843	FRONT WHEEL BEARING 145/6 99> WITH ABS, GTV/SPIDER (916) #6063042	84.00 EUR
3	RN3000	Radnabe vorne 156,gtv/spider (916)	74.99 EUR
4	RN10369	OE. 60510369 HUB 147,156,gtv/spider (916),Nuovo GT V6 24V/GTA	122.08 EUR
5	RN16023	WHEEL HUB SPIDER/GTV 916	99.00 EUR
6	RN6090	REAR WHEEL HUB GTV/SPIDER (916) 4.00> # 6063041 >	***

## Lenkung/Steering gtv/spider (916)



1	SSK189	OE.9947764 TRACK ROD END LEFT OUTER 145/6,155,GTV/SPIDER(916)IMPORTANT: PLEASE CHECK CONE SIZE:SSK189= 14MM SSK64= 14MM	55.00 EUR
2	SSK188	TRACK ROD END RH 145/6,155,916 CONUS SHAFT 13MM	55.00 EUR
3	SSK64	OE.60565706 TRACK ROD END LEFT OUTER 155,SPIDER/GTV(916)IMPORTANT:PLEASE CHECK CONE SIZE/SSK64=14MM, SSK189= 13MM	34.00 EUR
4	SSK65	Spurstangenkopf außen rechts 155, spider/gtv (916) ACHTUNG: auf Konusmaß achten/SSK 65 = 14 mm, SSK 188 = 13mm	34.00 EUR
5	SSK115	Spurstangenkopf 145/6,155 TD/JTD spider/gtv (916) 6-zylinder	45.01 EUR
6	SSK1100	Spurstangenkopf außen 145/6,155, spider/gtv (916)	45.01 EUR
7	LMS83588	OE.9941582 STEERING BOOT SET LEFT & RIGHT SIDE 155, GTV/SPIDER (916)	23.09 EUR
8	LMS83871	OE. 9947721 STEERING BOOT SET	24.50 EUR

## GTV/Spider (916) > ELECTRIC > WINDOW POWER LIFTER



1	FH67936	RIGHT WINDOW REGULATOR GTV/SPIDER (916), OLD BARS HAVE TO BE USED (RIGHT SIDE)	236.81 EUR
1	FH67937	OE. 60667937 WINDOW REGULATOR (916) AFTERMARKET PRODUCT, NEEDS MODIFICATION (LEFT SIDE)	236.81 EUR



---

<b>1</b>	<b>ZI03759</b>	<b>Konsole mit Zusatzinstrumenten (Tank, Uhr, Wassertemperatur) gtv/spider (916) Bj. &gt;98</b>	<b>344.99 EUR</b>
----------	----------------	---	-------------------

## GTV/Spider (916) > ELECTRIC > SWITCHES

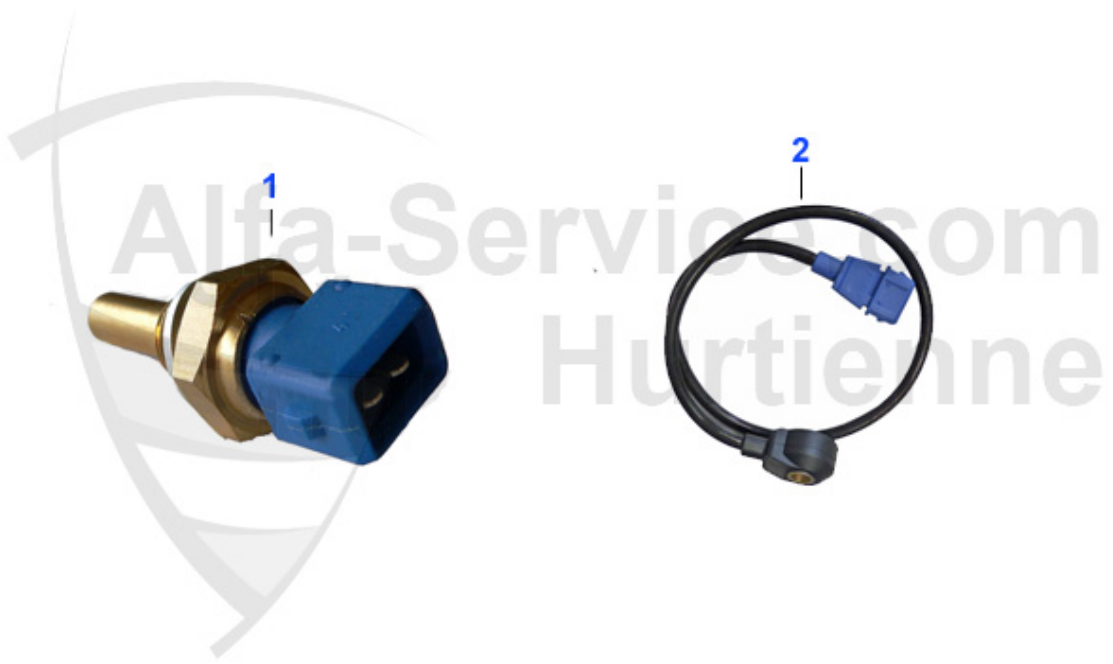


1	SCH02654	OE. 60602654 SWITCH f. TANK LID gtv/ spider (916)	***
2	SCH91657	FRONT FOG LIGHT SWITCH GTV-SPIDER 916 (95-06) OE 60602657	24.00 EUR
3	SCH91606	LED WARNING DEVICE GTV-SPIDER 916 (95-06)	15.45 EUR
4	SCH91645	SWITCH FOR WINDOW REGULATOR GTV-SPIDER (98-06) VERSIONS: ELEGANT,CUP,SPORT, MEDIO,LUSSO	33.20 EUR
4	SCH91644	SWITCH FOR WINDOW REGULATOR GTV-SPIDER 916 (95-06)	34.00 EUR
5	SCH91681	SWITCH FOR GTV-SPIDER (95-06)	57.50 EUR
5	SCH91601	SWITCH FOR FUEL CAP SPIDER 916 2.0 JTS, 3.2 V6 98-06	58.00 EUR
6	SCH91634	SWITCH FOR DAILY MILEOMETER GTV-SPIDER (95-06)	66.00 EUR
7	SCH91641	SWITCH FOR FOLDING TOP CASE LEFT SPIDER 916 2003< ELECTRIC HOOD	58.00 EUR
7	SCH91639	SWITCH FOR FOLDING TOP CASE LEFT SPIDER 916 2003< ELECTRIC HOOD	58.00 EUR
8	SCH91642	SWITCH FOR ELECTRIC HOOD SPIDER 916 2003< RIGHT	58.00 EUR
8	SCH91640	SWITCH FOR ELECTRIC HOOD SPIDER 916 2003< RIGHT	58.00 EUR
9	SCH91646	SWITCH FOR FRONT FOG LAMP GTV,SPIDER 916 1.8TS,2.0TS,2.0TB,3.0 V6, 3.2 V6 (98-06)	48.00 EUR

## GTV/Spider (916) > ELECTRIC > FUSE

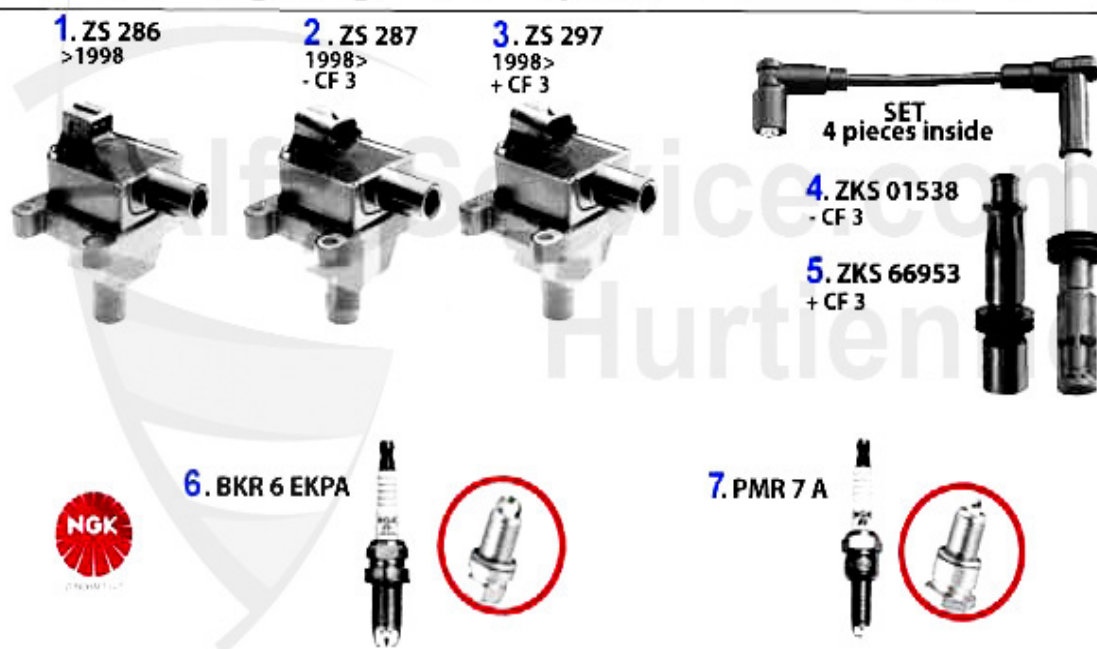


1	FSI075	Flachsteck-Sicherung 7,5 A	0.20 EUR
2	FSI010	Flachsteck-Sicherung 10 A	0.20 EUR
3	FSI020	Flachsteck-Sicherung 20 A	0.20 EUR
4	FSI025	Flachsteck-Sicherung 25 A	0.20 EUR
5	FSI030	Flachsteck-Sicherung 30 A	0.20 EUR ***



<b>1</b>	<b>WTG60145</b> TEMPERATUR SENSOR 33(905/7),75,155,164 164 /Super,Spider 115,RZ/SZ, Spider/GTV (916)	<b>13.99 EUR</b>
<b>2</b>	<b>NWS92752</b> KNOCK SENSOR SPIDER/GTV (916),164,155, 156,166,145,146	<b>39.90 EUR</b>

## Zündanlage/Ignitionsystem (916) 1.8/2.0 TS



1	ZS286	IGNITION COIL 145/6,155,156,SPIDER/GTV (916) 1.6-2.0 TS 95>	67.00 EUR
2	ZS287	IGNITION COIL 145/6,155,156,166,GTV/ SPIDER (916) 1.4-2.0 TS 09.97>	88.50 EUR
3	ZS297	IGNITION COIL 147,166,GTV/SPIDER (916) CF 3	94.90 EUR
4	ZKS01538	Kabelsatz 145/6 1.4/1.6/1.8/2.0 ie 16V TS bj. 97>,155 1.6/1.8/2.0 ie 16V TS,gtv/spider 1.8/2.0 16V TS, 166 2.0 TS	165.01 EUR
5	ZKS66953	IGNITION CABLE SET 147, 156, 166, gtv/ spider (916), Nuovo GT - TS 16V CF3	79.00 EUR
6	BKR 6 EKPA	SPARK PLUG 2 X PLATINUM 145/6,147,155 156,166 GTV/SPIDER(916)ALL 4-CYL. TS JTS YEAR 95>IMPORTANT: 2 SPARKS EACH CYL. 1X BKR 6 EKPA/1X PMR 7 A	27.50 EUR
7	PMR 7 A	Zündkerze NGK Idrum Langzeitkerze 145/6,147,155,156,166,gtv/spider (916) alle 4-Zylinder TS/JTS Bj. 95> ACHTUNG: benötigt werden 2 Kerzen je Zylinder je 1x PMR 7 A/BKR 6 EKPA	27.50 EUR

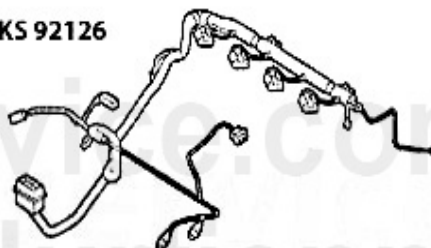


## Zündanlage/Ignitionsystem (916) 2.0 JTS

1. ZS 782



2. ZKS 92126



3. BKR 6 EKPA



1	ZS782	OE. 46794782 COIL 2.0 JTS	94.00 EUR
2	ZKS92126	OE. 55192126 CABLE HARNESS 2.0 JTS	***
3	BKR 6 EKPA	SPARK PLUG 2 X PLATINUM 145/6,147,155 156,166 GTV/SPIDER(916)ALL 4-CYL. TS JTS YEAR 95>IMPORTANT: 2 SPARKS EACH CYL. 1X BKR 6 EKPA/1X PMR 7 A	27.50 EUR

## Zündanlage/Ignitionsystem (916) 2.0 V6 Turbo

1. ZS 365



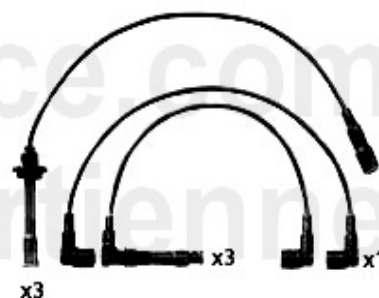
2. VK 516 S



3. VL 040



4. ZKS 01540  
SET

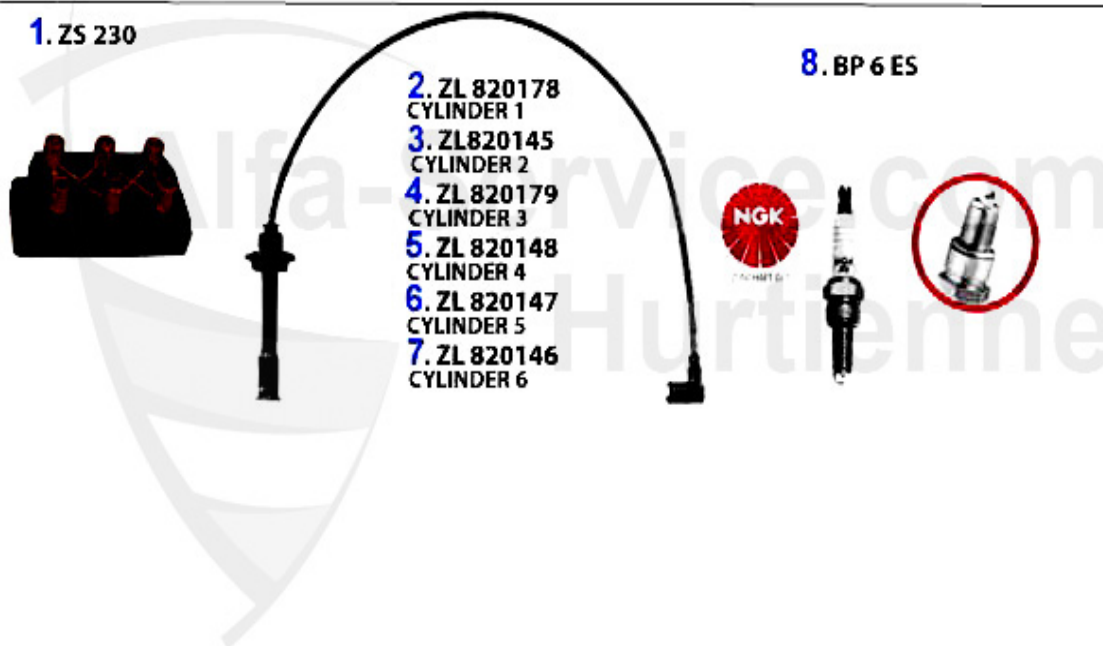


5. BPR 6 ES



1	ZS365	OE. 60623365 COIL 2.0 V6 Turbo 164/Super gtv/spider (916)	***
2	VK516S	DISTRIBUTOR CAP BOSCH 164/SUPER,GTV/ SPIDER (916) 6 CYL.	135.01 EUR
3	VL040	OE. 60513052 Rotor	37.00 EUR
4	ZKS01540	ignition cable set gtv/spider(916), AR 164 2,0L V6 Turbo	205.00 EUR
5	BPR 6 ES	SPARK PLUG NGK GTV/SPIDER (916) 3.0 V6, 2.0 V6 TURBO, YEAR 98>	3.65 EUR

## Zündanlage/Ignitionsystem (916) 3.0 V6 12V



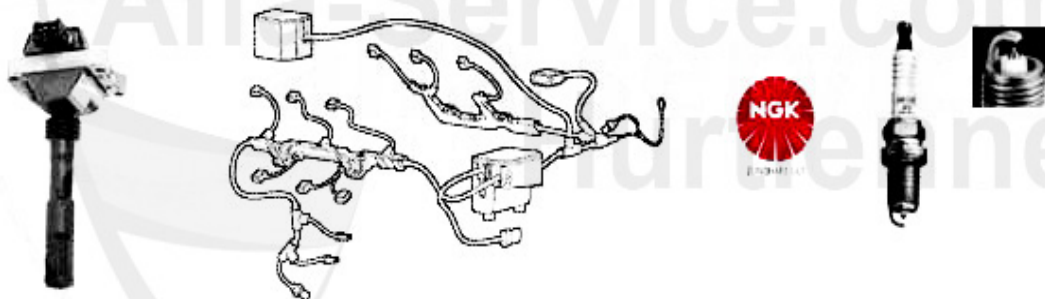
1	ZS230	IGNITION COIL 155,164,166,SPIDER/GTV (916) 2.5-3.0 V6 92>	***
4	ZL820179	Zündleitung spider (916) 3.0 V6 Zylinder 3	***
8	BP 6 ES	SPARK PLUG NGK 33 1.3/1.4/1.7 ie 1.6/1.8/TURBO/2.0ie/3.0 V6, 90 1.8/ 90 1.8/2.0ie, 145/6 1.4/1.6IE ALFETTA GT/V(116)1.8/2.0 SUD/SPRINT 1.2/1.3/1.5 TI,ARNA 1.2/1.3/TI,SPIDER(115)1.6/2.0 79>,166 2.0 V6 TURBO	4.50 EUR

## Zündanlage/Ignitionsystem (916) V6 24V

1. ZS 213

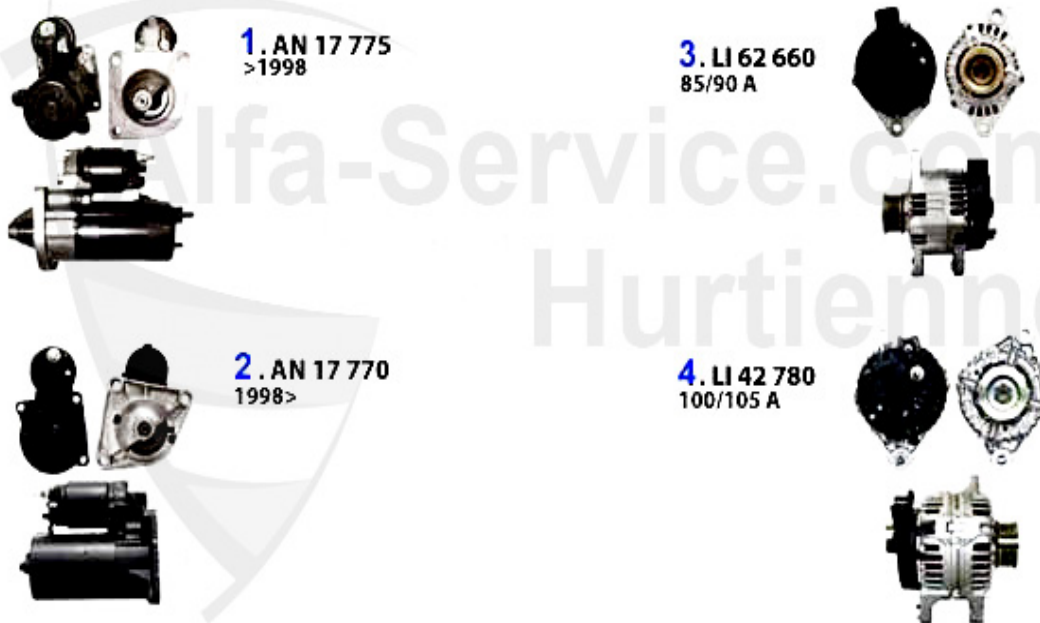
2. ZKS 91046

3. PFR 6 B



1	ZS213	OE. 60562701 IGNITION COIL 156,164, 166.spider/gtv(916) 2.5/3.0 V6 24V 94-00	104.90 EUR
2	ZKS91046	IGNITION CABLE SET V6 24V CF3	***
3	PFR 6 B	Zündkerze NGK 33 1.7 ie 16V,145/6 1.7 ie 16V,147 3.2 GTA,156 2.5 V6 24V/3.2 GTA,164 Super 3.0 V6 24V,166 2.5/3.0 V6 24V,gtv/spider (916) 3.0 V6 24V/3.2 V6	19.00 EUR

## Aggregate/Aggregats gtv/spider (916) TS



1	AN17775	STARTER 145/6 1.4ie 16V TS - 2.0ie 16V TS, 166 2.0TS, GTV/SPIDER (916) 2.0 16V TS >05.98, 166 2.0 TS	235.00 EUR
2	AN17770	Anlasser 145 1.7ie 16V/2.0 16V QV bj. 03.98>, 147 1.6/2.0 16V TS 156,gtv/spider (916) 2.0 TS bj. 98>	174.99 EUR
3	LI62660	ALTERNATOR 145/6,155,156,GTV/SPIDER (916) 2.0 TS	276.98 EUR
4	LI42780	Lichtmaschine 145/6 1.7 ie 16V Bj. 98-01,147 (mit Klima),156 (mit Klim a) Bj. 10.00> 166, gtv/spider (916)	318.02 EUR

## Aggregate/Aggregats gtv/spider (916) JTS

---

1. AN 19 930



2. LI 82 219



1	AN19930	OE. 55193406 STARTER MOTOR TS 16V/JTS 156 # 1287014>	235.00 EUR
2	LI82219	OE. 46782219 ALTERNATOR 2.0 TS 16V/JTS 2002>	299.00 EUR

## Aggregate/Aggregats gtv/spider (916) V6 Turbo

---

1. AN 15 600



2. LI 40 920



---

2 LI40920 ALTERNATOR GTV/SPIDER (916) 6 CYLINDER

316.99 EUR

## Aggregate/Aggregats gtv/spider (916) V6 12V



1	AN15600	STARTER 155 1.7/2.0 TS >02.95, 156,164, 166,GTV/Spider (916) 5 CYL.	239.00 EUR
2	LI40920	ALTERNATOR GTV/SPIDER (916) 6 CYLINDER	316.99 EUR
3	LI41280	ALTERNATOR, 156,166 GTV/SPIDER(916) 6 CYL.-EXCHANGE PART	419.00 EUR



## Aggregate/Aggregats gtv/spider (916) V6 24V



2	LI41280	ALTERNATOR, 156,166 GTV/SPIDER(916) 6 CYL.-EXCHANGE PART	419.00 EUR
3	LI73305	OE. 60673305 ALTERNATOR 3.2 V6 24V - GTA	259.00 EUR
3	LI73305B	OE. 60673305 ALTERNATOR 3.2 V6 24V - GTA	578.99 EUR

GTV/Spider (916) > INTERIOR PARTS > CAR MAT



1	FMS 916 GTV	FLOOR MAT SET GTV (916) BLACK VELOUR WITH RED EMBLEM	85.00 EUR
1	FMS 916	SPFLOOR MAT SET SPIDER (916) BLACK VELOUR WITH RED EMBLEM	85.00 EUR